

thermal transfer coders ■ ■ ■



Markem-Imaje's commitment: to transfer more performance to you.

Designed for the most demanding, high-volume applications, the SmartDate X60 delivers high resolution thermal transfer printing at ultrafast speeds. Its long-life thermal printhead can print 300 dpi codes on flexible packaging film at more than 350 packs per minute. Easy to install, simple to use, the user interface improves uptime by providing access to important printing information and allowing for code adjustments on line. All of SmartDate X60's tangible benefits are designed to maximize performance.

High-performance printing

- High speed printing up to 1000 mm/s in full 300 dpi resolution.
- Excellent quality printing using full resin ribbons up to 600 mm/s and improved quality on difficult applications.
- High pack rate mode to print on shorter packs at a higher speed.
- Ability to print unique promotional codes including unique QR codes directly on each pack.



Operation optimization

- Standard 1100 m ribbon reduces changeovers and improves cost per print.
- Image Adjustment allowing the image to be adjusted on the user interface without the need of a laptop.
- Dead-dot detection feature enabling the image to be adjusted avoiding failed dots.
- Automatic printhead setup for an increased availability ratio and optimum print quality.

Unfailing reliability

- Unrivalled 12-month printhead warranty*.
- Robust design with no wear parts requiring zero preventative maintenance.
- Advanced Service Exchange offering for a quick response and delivery of spare parts**.

Eco-initiatives

- Up to 20% less ribbon waste.
- Air consumption down to 0.47 ml/print at 3 bar.
- Power saving features reducing power consumption by up to 50%.



Cost reduction

- Digital Ribbon Save Print Mode to reduce ribbon consumption by 20%.
- Long life thermal printhead.
- Large range of 20 mm to 55 mm ribbons including indirect food contact ribbons.
- Includes CoLOS® Create 5.0 for simple message design.



markem·imaje
a DOVER company

Print features ■ ■ ■

- Print speed:
 - Intermittent: up to 700 mm/s
 - Continuous: 10 to 1200 mm/s (combined)
 - Continuous: 10 to 1800 mm/s (shuttled)
- Print area:
 - Intermittent: 53 mm x 75 mm
 - Continuous: 53 mm x 150 mm (combined)
 - Continuous: 53 mm x 100 mm (shuttled)
- Print features:
 - Automatic printhead setup
 - Dead-dot detection and image adjustment
 - Combined intermittent and continuous printer
 - Easily changes from left to right hand with no additional parts
 - Average gap between prints 0.5 mm
 - Automatic shift codes and serial numbers
 - Multiple variable user input fields with alpha-numeric texts
- Ribbon saving mode:
 - Radial ribbon saving
 - Digital ribbon save mode
 - Interlaced mode
 - Multi-print triggers
 - Negative ribbon advance
- Print specifications: Full true type font support, including non-Roman characters and symbols. Printing of real-time clock, dates and auto updating best before dates, barcodes; ITF, Code 39, Code 128, EAN 128, EAN 8, EAN 13, UPC A, UPC E, RSS linear, PDF 417, ID Matrix, QR and Composite RSS barcodes support

Operations ■ ■ ■

- User interface: Color LCD touch screen for message selection, message adjustment, variable data entry, diagnostics and system setup
- Monochromatic user interface also available
- WYSIWYG print preview of printed message, real-time display of remaining print capacity expressed in hours and number of prints
- Full diagnostics including printhead statistics
- Robust LED status indicators on the printer
- Webbing diagram for fast ribbon changes
- Hardware interface:
 - Inputs: "Print go" and 1 configurable input
 - Outputs: Fault, warning, and 2 configurable outputs
- S/W interface:
 - USB for downloading images, settings and data files
 - RS232, Ethernet communications standard
 - Communications protocols for PCs, PLC and packaging machines, including full remote control web server

PC software ■ ■ ■

- Included, free of charge, CoLOS® Create 5.0 for design of simple messages; also compatible with CoLOS® Create Professional and Colos Enterprise

Other characteristics ■ ■ ■

- Supplies: Thermal transfer ribbon available in a variety of grades and colors, including ribbons approved for indirect food contact
- Maximum ribbon length: up to 1100 m
- Minimum ribbon width: 20 mm
- Maximum ribbon width: 55 mm
- Weight:
 - Printer: 7.9 kg
 - Color controller: 4.8 kg
 - Mono controller: 4.0 kg
- Electrical power supply: 90 – 264 V with automatic switching; frequency 47/63 Hz; power 150 VA
- Air consumption: typically 0.47 ml/print
- Operating temperature range: 0 to 40°C
- Humidity: 10% to 90% non-condensing

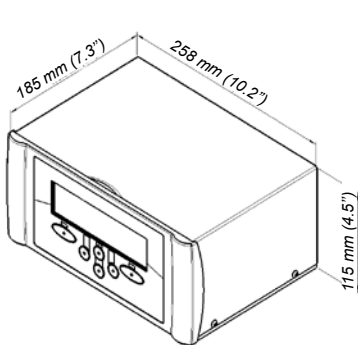
Options ■ ■ ■

- Web UI for OEM integration

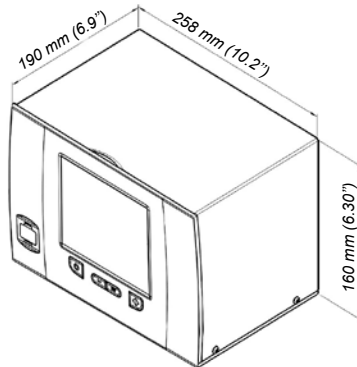
Accessories ■ ■ ■

- Mounting bracket
- Encoders

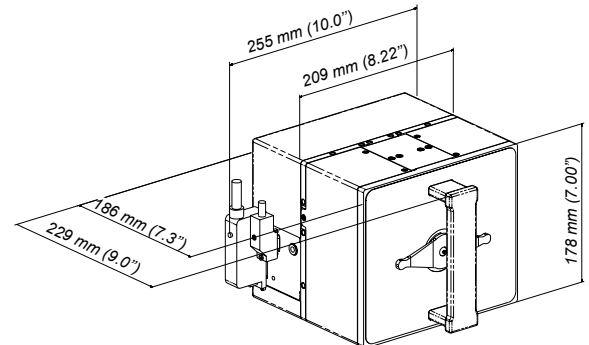
Mono controller



Color controller



Printer



We reserve the right to amend the design and/or specifications of our products without notice.



M Pack Limited
 F4 South City Business Park
 Tallaght
 Dublin 24
 Tel: +353 1 2890077
 Email: sales@mpack.ie
 www.mpack.ie

