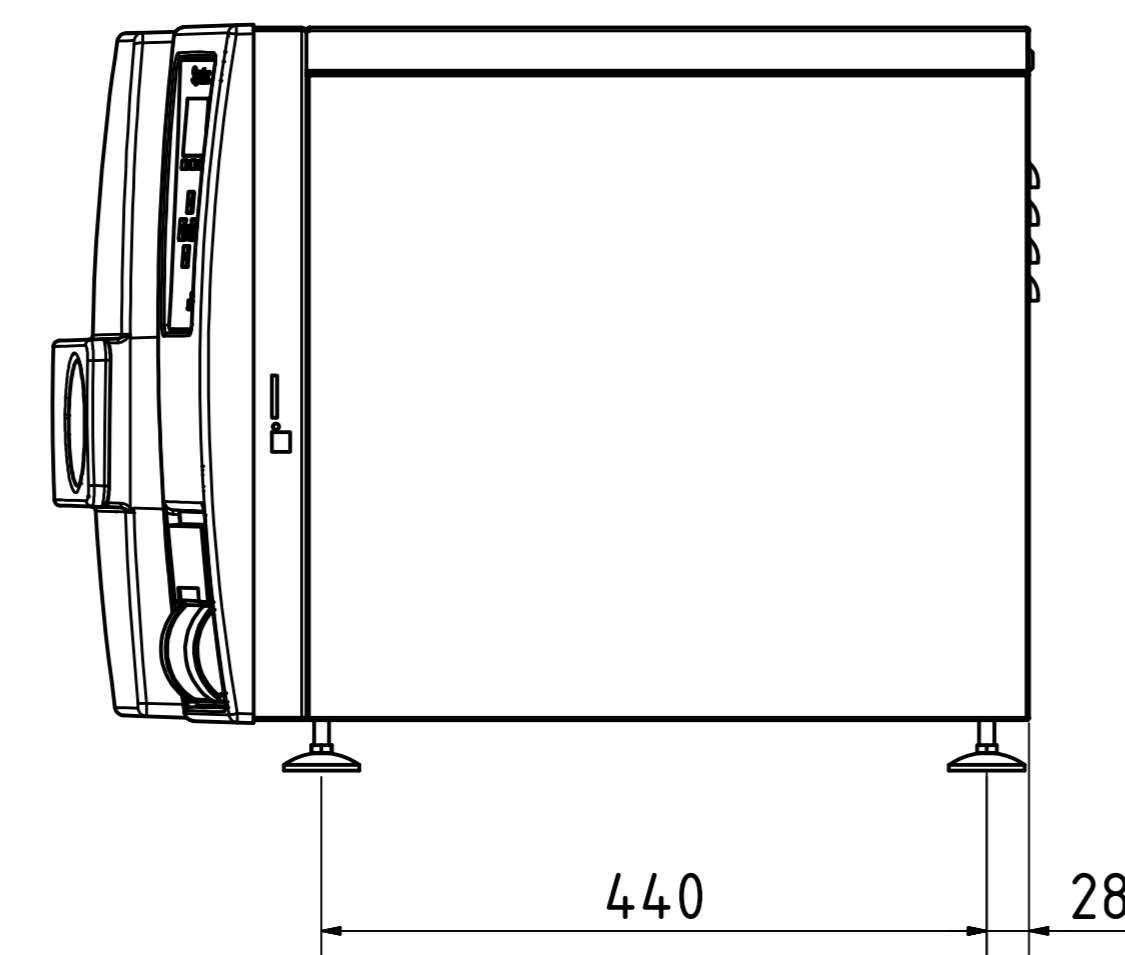
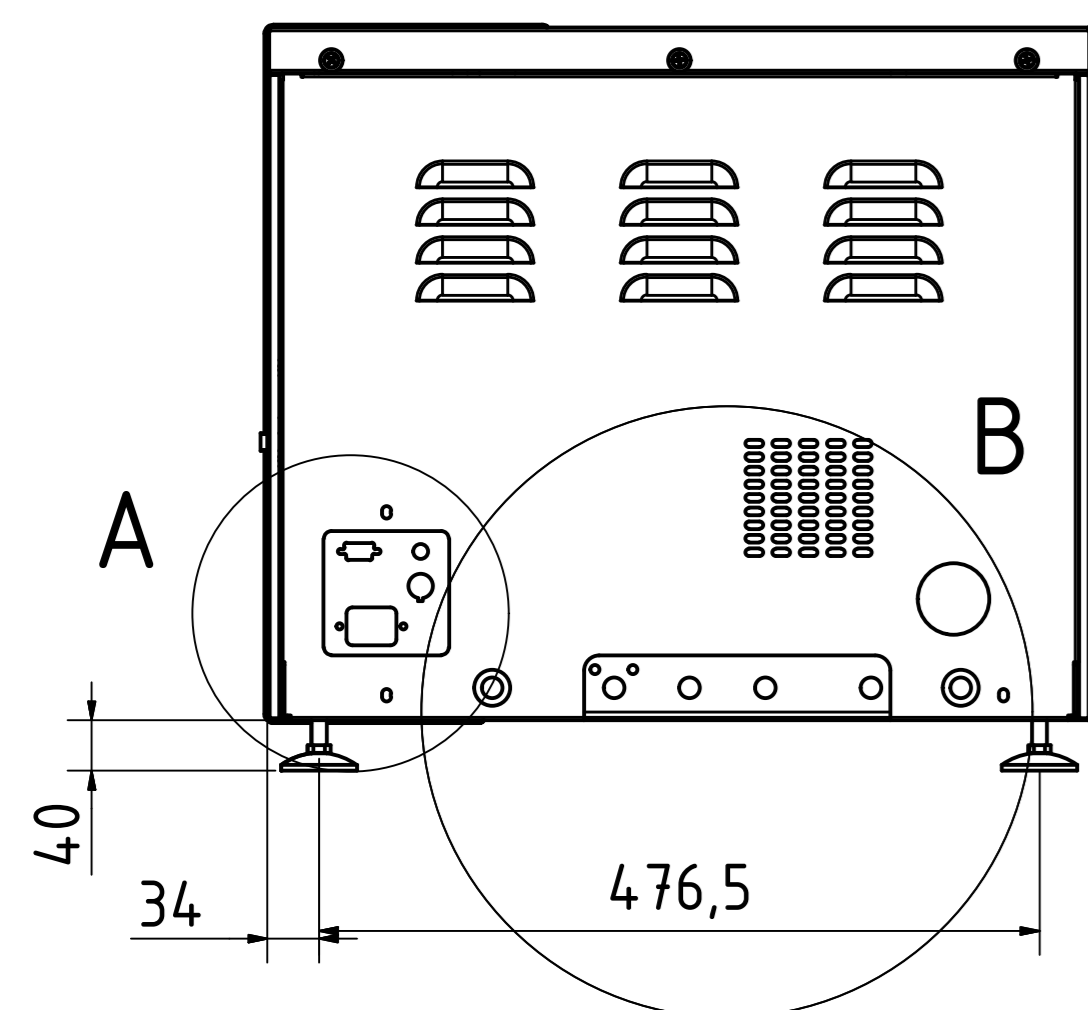
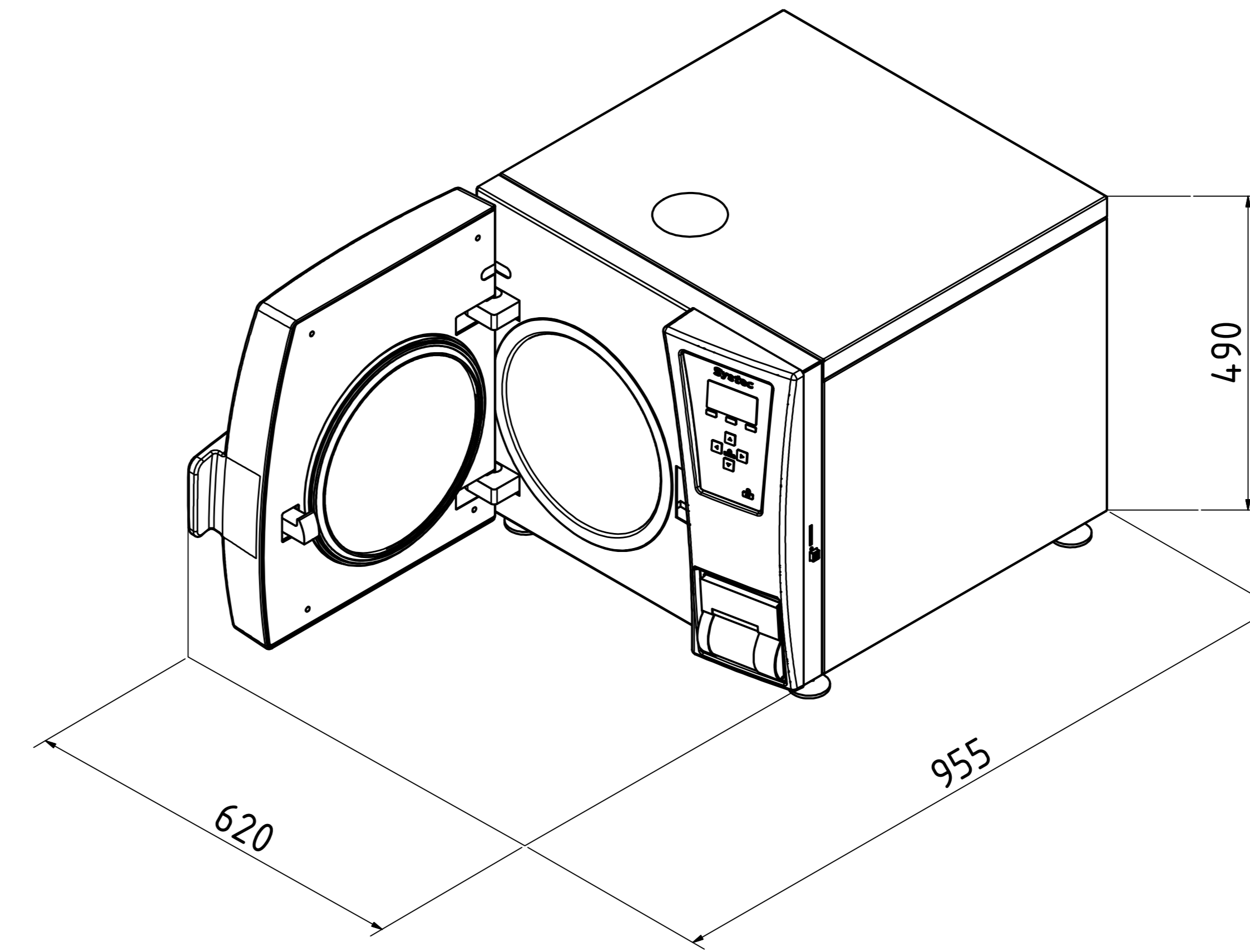
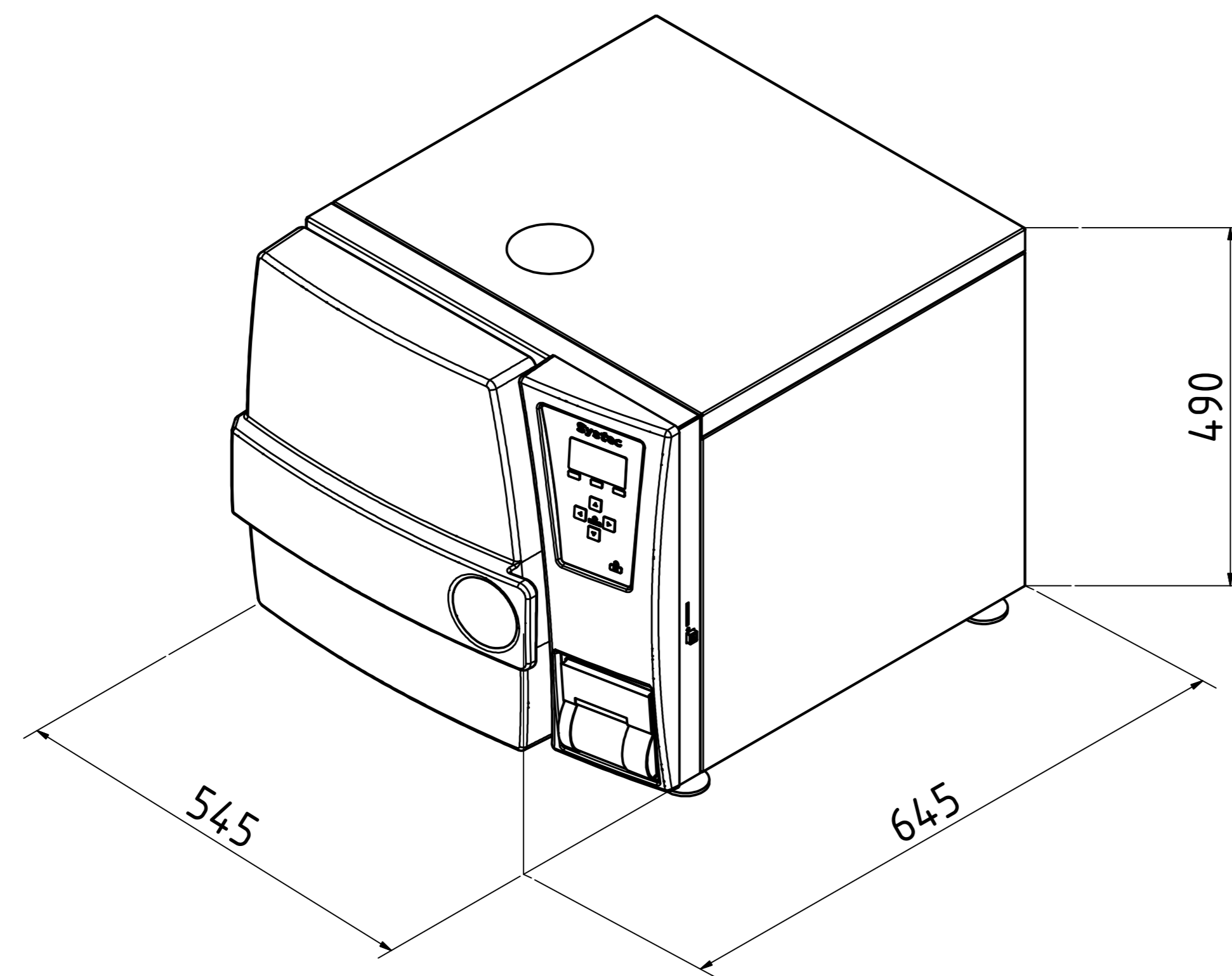
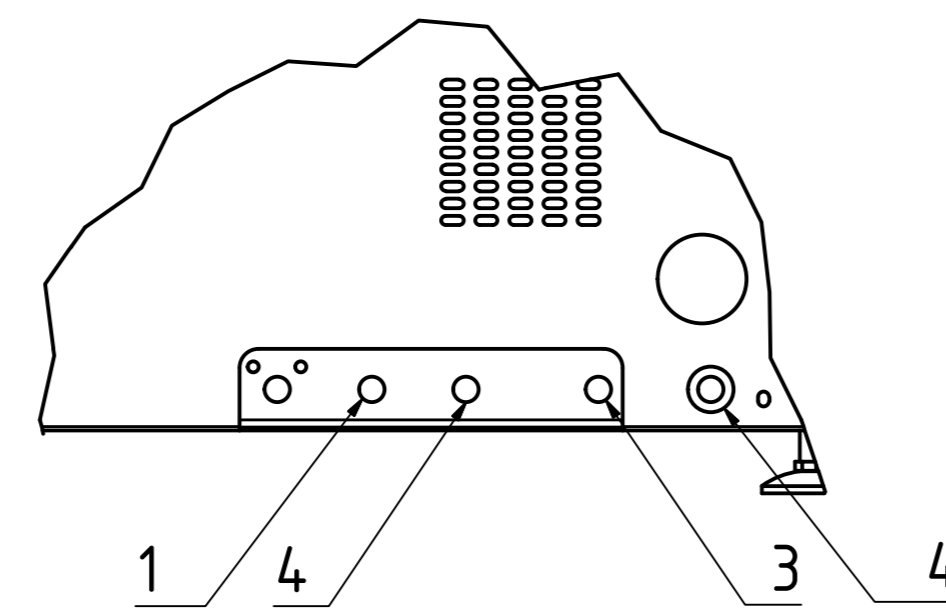


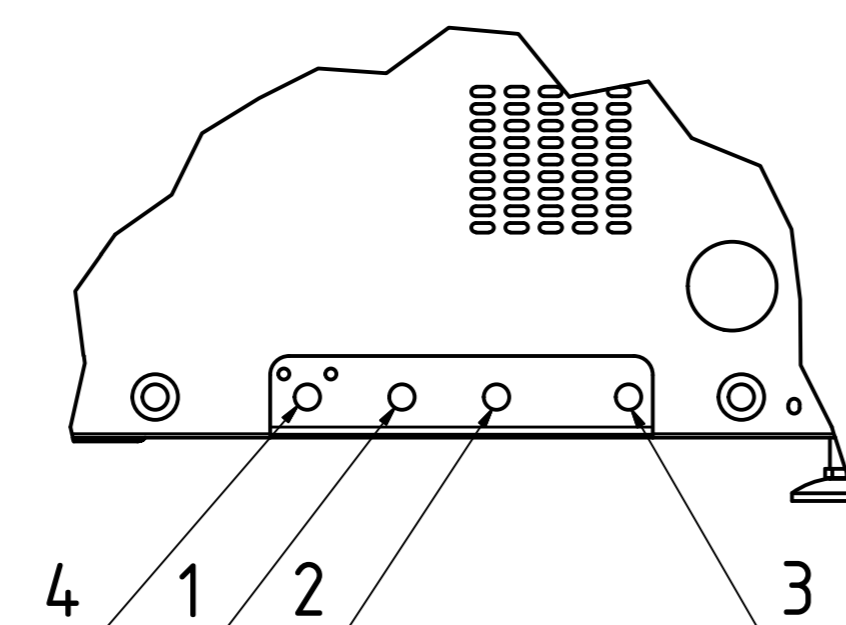
# Systemec D-23



B2 (Systemec DB / Systemec DE)



B1 (Systemec DX)



Technical data						Comments
No.	Description	Size	DX	DE	DB	
1	Tap water*	3/4" ET	X	X	--	≥ 1bar water pressure Σ alkaline earth ions ≤ 2,0 mmol/l, conductivity max. 300 µS/cm, 11°dH, 200mg/l CaCO3
2	Demineralized water*	3/4" ET	X	0	--	≥ 1bar water pressure Σ alkaline earth ions < 0,02 mmol/l, conductivity: 0,1 - 15 µS/cm
3	Compressed air	NW 7,2	0	0	--	min. 3-10bar / 50l/min., ≤ Class 4 according to DIN ISO 8573, Only with "water cooling with support pressure"
4	Drain	3/4" ET	X	X	X	Systemec DX and Systemec DE Temperature-resistant installation (103°C in case of failure) Temperature is controlled at 70°C (setable) Systemec DB Temperature-resistant installation up to 103°C No controlled temperature, Drain height max. ≤ 40cm above the floor
5	Interface		X	X	--	RS-232 / RS-485 (Ethernet Network and USB compatible)
6	Power supply* <sup>2</sup>		X	X	X	1x230V+N+PE / 50/60Hz / 16 Ampere / CEE 7/4 socket, Type F

	Art.No.: DX	Art.No.: DE	Art.No.: DB	Heat emission	Net weight	Test weight* <sup>3</sup>
Systemec D-23	1923	1523	1900	<400 Watt/h	80 kg	103 kg

X = Standard    0 = Optional    -- = Not Available    Length dimensions in mm

\* Other media connections available on request

\*<sup>2</sup> Other voltages available on request

\*<sup>3</sup> Test weight: chamber completely filled with water for pressure test

Contact area of the feet: 1963.5mm<sup>2</sup> per foot - Total 7854mm<sup>2</sup> for 4 pieces (Ø50mm)

Allgemein- toleranz ISO 2768 T1-m		Oberfläche	Maßstab:	Gewicht:
Datum	Notiz	Werkstoff: Bemerkung:		
13.05.2016		Systemec D-23		
Gezeichnet	Geprüft			
Zeichner	Freigegeben			
Technischer Leiter				
Systemec the exclusive company		Zng.-Nr.: AZ 1923 EN	Rev.: 1	1 A0