

Lab

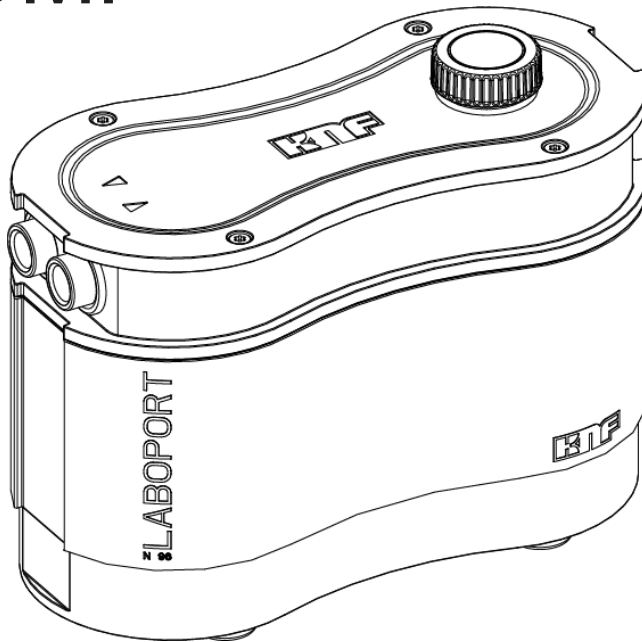
Laboport® N96

TRANSLATION OF ORIGINAL
OPERATING INSTRUCTION
ENGLISH

EN

LABOPORT®

LABORATORY PUMP



Notice!

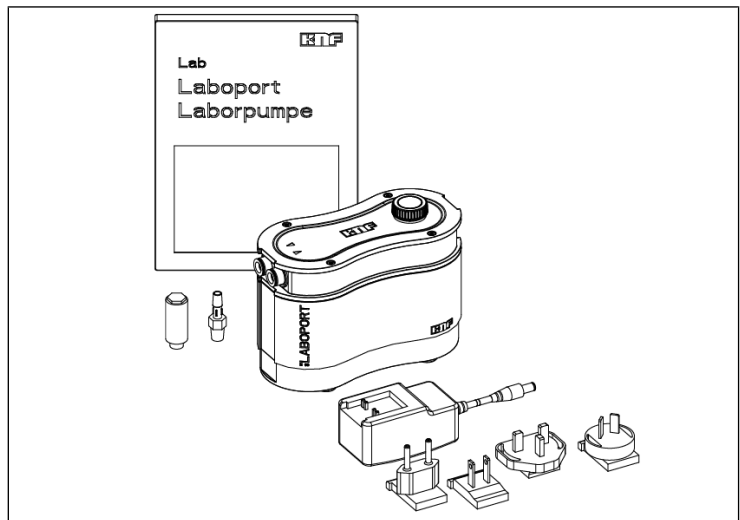
Before operating the pump and accessories, read and observe the operating and installation instructions as well as the safety information!

Index

1	Scope of delivery.....	3
2	About this document	4
2.1	Using the operating instructions.....	4
2.2	Exclusion of liability.....	4
2.3	Applicable documents.....	5
2.4	Symbols and markings.....	5
3	Safety.....	8
3.1	Personnel and target group	8
3.2	Responsibility of the operator	9
3.3	Working in a safety conscious manner	9
3.4	Operating conditions	10
3.5	Media	10
3.6	Directives and standards	11
3.7	Customer service and repair.....	12
3.8	Disposal	12
4	Technical data.....	13
5	Product description and function.....	15
6	Transport.....	17
	General	17
7	Commissioning.....	19
7.1	Preparing for commissioning	20
7.2	Perform commissioning	20
8	Operation	26
8.1	Information on switching the pump on and off	26
9	Servicing	27
9.1	Servicing schedule.....	28
9.2	Cleaning.....	28
9.3	Replacing diaphragm and valve plates	29
10	Spare parts and accessories.....	38
10.1	Spare parts	38
10.2	Accessories.....	39
11	Troubleshooting	40
12	Returns.....	43
13	Index	44

1 Scope of delivery

- Laboport ® N96
- Power supply incl. plug insert (EU, US, UK, AU)
- Hose connector with NPT thread ID6
- Silencer
- Operating instructions
- QuickStart



Unpacking the pump

1. Inspect the pump and the included accessories for transport damage after unpacking.
2. If the packaging is damaged, inform the responsible forwarding agent so that a damage report can be prepared. For further information, read Chapter 6 *Transport* [▶ 17].

2 About this document

2.1 Using the operating instructions

The operating instructions are part of the pump.

- In the event of uncertainties with regard to the content of the operating instructions, please contact the manufacturer (contact data: see *www.knf.com*). Please have the type and serial number of the pump ready.
- Read the operating instructions before you commission the pump.
- Only pass on the full and unchanged operating instructions to any subsequent owner.
- Keep the operating instructions within reach at all times.

Project pumps For customer-specific project pumps (pump models that begin with "PJ" or "PM"), there may be deviations from the operating and installation instructions.

- For project pumps, also observe the agreed specifications.

2.2 Exclusion of liability

The manufacturer assumes no liability for damages and malfunctions resulting from failure to observe the operating instructions.

The manufacturer assumes no liability for damages and malfunctions resulting from changes or modifications to the device and improper handling.

The manufacturer assumes no liability for damages and malfunctions resulting from impermissible spare parts and accessories.

2.3 Applicable documents

The listed documents must also be observed. The valid versions are available at www.knf.com/Downloads.

- Data sheet
- 3D model

Also to be observed are:

- Local terms and conditions
- Sales documents and agreement between KNF and customer.

2.4 Symbols and markings

Warning notice



A notice that warns you of danger is located here.

Possible consequences of a failure to observe the warning notice are specified here. The signal word, e.g., Warning, indicates the danger level.

- Measures for avoiding the danger and its consequences are specified here.
-

Danger levels

Signal word	Meaning	Consequences if not observed
DANGER	warns of immediate danger	Death or serious injury or serious damage will result.
WARNING	warns of possible danger	Death, serious injury or serious damage is possible.
CAUTION	warns of a possibly dangerous situation	Minor injury or damage is possible.
NOTICE	Warns of possible damage	Damage is possible.

Tab. 1: Danger levels













Other notices and symbols

→ An activity to be carried out is specified here (a step).

1. The first step of an activity to be carried out is specified here.
Other sequentially numbered steps follow.

i This symbol indicates important information.

Explanation of pictograms

Pictogram	Meaning
	General warning symbol
	Warning of hot surface
	Warning of electrical voltage
	Warning of poisonous substances
	Warning of hand injuries through crushing
	ESD protected area
	Observe the operating instructions
	General mandatory sign
	Unplug mains plug
	Use foot protection
	Use hand protection
	WEEE Symbol for separate tracking of electrical and electronic devices. The use of this symbol means that this product must be disposed of with normal household waste.
	Recycling

Tab.2: Explanation of pictograms

3 Safety

i Observe the safety notices in Chapters 7 *Commissioning* [▶ 19] and 8 *Operation* [▶ 26].

3.1 Personnel and target group

Personnel Ensure that only personnel who have received the appropriate training and instruction carry out work on the pumps. This applies in particular to commissioning and maintenance work.

Make sure that the personnel have read and understood the operating instructions, particularly the chapter on safety.

Target group

Target group	Definition
User	Laboratory worker
Specialized personnel	Specialized personnel are personnel who - have relevant professional training in the field covered in the particular section of text; - have current knowledge of the field covered in the particular section of text.

Tab.3: Target group

Who-does-what matrix

Lifecycle phase	User	Specialized personnel
Transport		X
Setup	X	X
Preparing for commissioning	X	X
Commissioning	X	X
Operation	X	X
Servicing		X
Troubleshooting		X
Disposal		X

Tab.4: Who-does-what matrix

3.2 Responsibility of the operator

The pumps are produced in accordance with the generally recognized rules of engineering, as well as the occupational health, safety and accident prevention regulations. Nevertheless, dangers can arise during their use that lead to injuries to the user or third parties or to damage to the pump or other property.

Make sure that no hazardous situation, physical harm or impairment of the pump can occur.

Operating parameter Only operate and install the pump under the operating parameters and operating conditions described in Chapters 3.4 *Operating conditions* [▶ 10] and 4 *Technical data* [▶ 13].

3.3 Working in a safety conscious manner

Observe the regulations on accident prevention and safety during all work on the pumps and during operation.

Avoid touching the pump heads and housing parts as the pump gets hot during operation.

Make sure that the pump has been disconnected from the mains and is de-energized while work is carried out on it.

When connecting the pump to the electrical mains, observe the corresponding safety rules.

Do not expose any body parts to the vacuum.

Take precautions to prevent hazards, noise emissions or hot, corrosive, dangerous or environmentally hazardous gases due to gases escaping from open gas connections.

Ensure that EMC-compliant installation of the pump is guaranteed at all times, and that no hazardous situations can arise therefrom.

Avoid the release of hazardous, toxic, explosive, corrosive, harmful or environmentally hazardous gases or vapors, e.g. by using suitable laboratory equipment with fume cupboard and ventilation control.

3.4 Operating conditions

Do not use the pumps if they are not in technically perfect working order; pumps must be operated in accordance with their intended use, with attention to safety and hazard considerations, and in conformance with the operating instructions at all times.

The pumps must only be operated in the fully assembled and supplied condition.

Make sure that the installation location is dry and that the pump is protected from rain, splash water, gushing water, dripping water and other contamination.

Check the tightness of the connections between the pipes of the application and the pump (or the connection of the pump) at regular intervals. Leaky connections carry the risk of releasing dangerous gases and vapors from the pump system.

The components that are to be connected to the pumps must be designed according to the pneumatic data of the pumps.

3.5 Media

Requirements of pumped media Before pumping any medium, check whether the medium can be pumped without hazard in the specific application case.

Take note of any change in the state of matter (condensation, crystallization).

Before using a medium, check the compatibility of the media-contacting components (see 4 *Technical data* [▶ 13]) with the medium.

Only transfer gases that remain stable under the pressures and temperatures that arise in the pump.

Handling of hazardous media Upon breakage of the diaphragm and/or leaks, the transferred medium mixes with the air in the surroundings and/or in the vacuum system housing. Make sure that a dangerous situation cannot arise as a result.

When pumping hazardous media, follow the safety regulations that govern working with these media.

- Handling of combustible media
- Note that the pump is not designed to be explosion-proof.
- Make certain that the temperature of the medium is always sufficiently below the ignition temperature of the medium so as to prevent ignition or explosion. This also applies for abnormal operating situations.
- Moreover, note that the temperature of the medium rises when the pump compresses the medium.
- Therefore, make certain that the temperature of the medium also remains sufficiently below the ignition temperature of the medium even when it is compressed to the maximum permissible operating pressure of the vacuum system. The maximum permissible operating pressure of the vacuum system is given in Chapter 4 *Technical data* [▶ 13].
- Make certain that the permissible ambient temperature (see 4 *Technical data* [▶ 13]) is not exceeded.
- Take into account any external energy sources (e.g., radiation sources), which might heat the medium further.
- In case of doubt, contact KNF Customer Service.

3.6 Directives and standards

EU/EC
Directives /
Standards



The pumps conform the following directives/Ordinances:

- 2011/65/EU (RoHS)
- 2014/30/EU (EMC)
- 2006/42/EC (MD)
- UK Regulation S.I. 2008/1597 Supply of Machinery (Safety)
- UK Regulation S.I. 2016/1091 Electromagnetic Compatibility
- UK Regulation S.I. 2012/3032 Restriction of the Use of Certain Hazardous Substances in Electrical and Electronic Equipment

The following harmonized/listed standards are met:

- EN 1012-2
- EN ISO 12100
- EN 61010-1



- EN 61326-1
- EN IEC 63000

The pumps are inspected by TÜV according to:

- UL 61010-1
- CAN/CSA-C22.2 No. 61010-1

Certificate: No. U8 045055 0021 Rev. 00

3.7 Customer service and repair

Customer service and repairs

The pumps are maintenance-free. However, KNF recommends that the pumps be checked regularly for noticeable changes in noise and vibration.

Have repairs to the pumps carried out solely by the KNF customer service personnel responsible for such tasks.

Housings with electrically live components may only be opened by specialist personnel.

Use only genuine spare parts from KNF when performing servicing work.

3.8 Disposal

Environmental protection
WEEE

Store the pump and all accessories in accordance with the environmental provisions. Observe the national and international regulations. This applies in particular to parts that are contaminated with toxic substances.



If you no longer need your packaging materials (e.g. for return shipment or other transport of the vacuum system), dispose of them in an environmentally friendly manner.



This product is marked in conformance with the EU directive on the disposal of waste electrical and electronic equipment (WEEE). Old devices must not be disposed of with household waste. Proper disposal and recycling help to protect natural resources and the environment. The end user is responsible for disposing of old devices according to the national and international regulations. Alternatively, KNF products (old devices) may also be returned to KNF for a fee (see chapter Returns).

4 Technical data

Technical data

Pump materials

Assembly	Material
Pump head	PPS
Diaphragm	PTFE-coated
Valves	FPM

Tab.5: Pump materials

Pneumatic data

Parameter	Value
Max. permissible operating pressure [bar rel*]	2,5
Ultimate vacuum [mbar abs.]	<130
Flow rate at atm. pressure [l/min]**	1,5 -7,0 ± 10%

Tab.6: Pneumatic data

*Bar rel related to 1013 hPa

**Liters in standard state (1013 hPa, 20°C)

Pneumatic connections

Pump type	Value
Laboport N96	NPT 1/8

Tab.7: Pneumatic connections

Electrical data

Pump

Parameter	Value
Voltage [V]	24 DC
Power P [W]	19
Max. permissible mains voltage fluctuations	± 10%
Current consumption [A]	0,9

Tab.8: Electrical data of pump

Power supply

Parameter	Value
Voltage [V]	100-240 AC
Frequency [Hz]	50/60
Current consumption [A]	0.7 A / 100 V AC 0.4 A / 230 V AC

Tab.9: Electrical data of power supply

Weight

Pump type	Value [kg]
Laboport N96	1,3

Tab.10: Weight

Other parameters

Parameter	Value
Permissible ambient temperature [°C]	+ 5 to + 40
Permissible media temperature [°C]	+ 5 to + 40
Dimensions [L x H x W] [mm]	156 x 119 x 75
Highest permissible relative air humidity of the environment	80% for temperatures to 31°C, decreasing linearly to 50% at 40°C (non-condensing).
Maximum installation altitude [m above sea level]	2000
Protection class of pump	IP40
Start up against	
- Vacuum [mbar abs.]	<130
- Pressure [bar rel*]	2,5

Tab.11:

**Bar rel related to 1013 hPa*

5 Product description and function

- 1 Outlet
- 2 Inlet
- 3 Rotary/push knob
- 4 Silencer
- 5 Hose connector

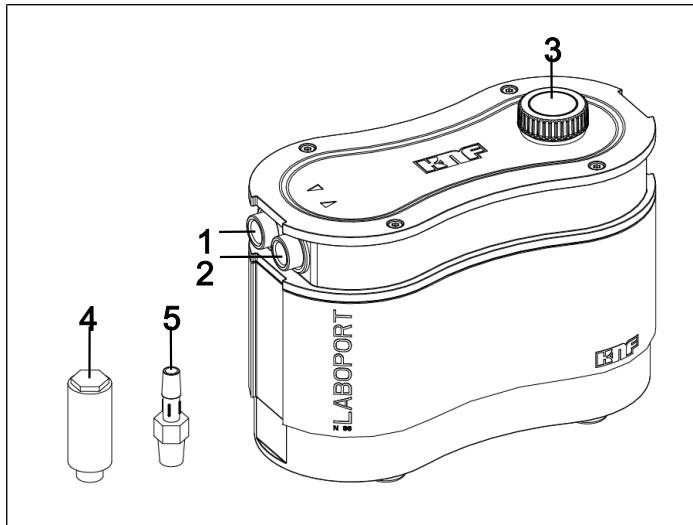


Fig.1: Laboport N96

The pump can be switched on and off with the rotary/push knob(3). This is also used to control the flow rate (see 8.1 *Information on switching the pump on and off* [▶ 26]).

The pump has a vibration-free mount, thereby allowing the inlet (2) and outlet (1) to be easily moved with respect to the remainder of the housing.

Function of a diaphragm pump

- 1 Outlet valve
- 2 Inlet valve
- 3 Transfer chamber
- 4 Diaphragm
- 5 Eccentric
- 6 Connecting rod

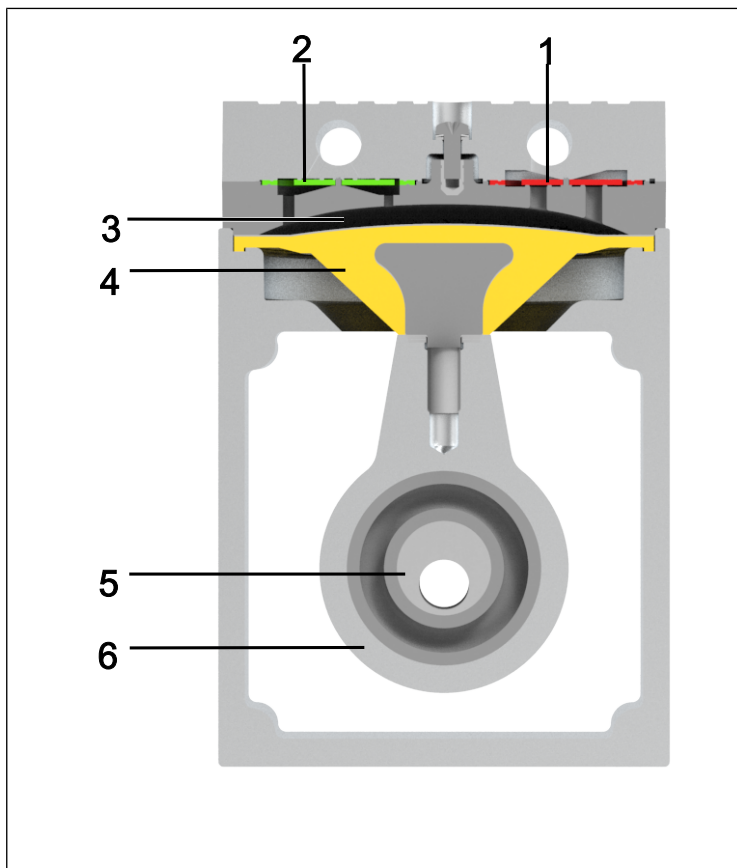


Fig.2: Function of a diaphragm pump

Diaphragm pumps transfer, compress (depending on the version) and evacuate gases and vapors.

The elastic diaphragm (4) is moved up and down by the eccentric (5) and the connecting rod (6). In the downwards stroke, it aspirates the gas to be transferred via the inlet valve (2). In the upwards stroke, the diaphragm presses the medium out of the pump head via the outlet valve (1). The transfer chamber (3) is separated from the pump drive by the diaphragm.

6 Transport

General



CAUTION

Personal injury and/or property damage due to incorrect or improper transport of the pump

In the event of incorrect or improper transport, the pump can fall down, be damaged or injure persons.

- Use suitable auxiliary means if necessary (carrying strap, lifting gear, etc.).
 - Where appropriate, wear suitable personal protective equipment (e.g., safety shoes, safety gloves).
-



CAUTION

Risk of injury from sharp edges on the packaging

There is a risk of injury from cutting on the sharp edges when grabbing corners or when opening the packaging.

- Where appropriate, wear suitable personal protective equipment (e.g., safety shoes, safety gloves).
-

- Transport the pump in the original packaging to the installation location.
- Store the original packaging of the pump (e.g. for later storage).
- Inspect the pump for transport damage after receiving it.
- Document any transport damage in writing.

→ Remove any transport locking devices on the pump prior to commissioning.

Parameter

Parameter	Value
Storage temperature [°C]	+ 5 to + 40
Transport temperature [°C]	- 10 to + 60
Permissible humidity (non-condensing) [%]	30 to 85

Tab. 12: Transport parameter and storage parameter



NOTICE

Prior to commissioning, make sure that the pump has reached the ambient temperature (4 *Technical data* [▶ 13]).

7 Commissioning

Only connect the pump in accordance with the operating parameters and conditions described in Chapter 4 *Technical data* [▶ 13].

- Observe the safety instructions (see Chapter Safety).
- Before connecting, store the pump at the installation location to allow it to reach the room temperature (no condensate may form).

Cooling air supply



WARNING

Danger of burning on hot surfaces
Hot surfaces could occur if the pump overheats.

- When installing the pump, make sure that sufficient cooling air in-feed and discharge is ensured.

Installation location

- Make sure that the installation location is dry and that the pump is protected against rain, splash, gushing, and drip water as well as from other contamination.
- Select a secure location (flat surface) for the pump.
- Protect the pump from dust.
- Protect the pump from vibration, impact and external damage.
- Make sure that it is easy to operate the power switch.

7.1 Preparing for commissioning

Before turning on the pump, make sure of the following points:

	Necessary operating requirements
Pump	- Connect all hoses correctly
Pump	- Data of the voltage supply system are consistent with the details on the type plate of the power supply. - Pump outlet not closed or restricted.

Tab. 13: Operating requirements for commissioning

7.2 Perform commissioning



CAUTION

Risk of injury from bursting hoses during pressure applications due to excessively high temperatures

When operating the pump in pressure applications, hoses that are not designed for the head temperatures of the pump at the respective operating point could become porous and burst.

- Use temperature-resistant pressure hoses at the pneumatic connections.
- Wear protective equipment if necessary (e.g., safety gloves, hearing protection).



Injury to eyes

Coming too close to the inlet/outlet of the pump may result in injury to the eyes due to the present vacuum/operating pressure.

- Do not look into the pump inlet/outlet during operation.

-
- Only operate the pump in accordance with the operating parameters and operating conditions described in Chapter 4 *Technical data* [▶ 13].
 - Ensure the proper use of the pump (See Chapter Proper use).
 - Eliminate the possibility of improper use of the pump (see Chapter Improper use).
 - Note and follow the safety instructions (see chapter 3 *Safety* [▶ 8]).



Risk of pump head bursting due to excessive pressure increase

- Do not exceed the maximum permissible operating pressure (see 4 *Technical data* [▶ 13]).
- Monitor the pressure during operation.
- If the pressure exceeds the maximum permissible operating pressure of the pump: immediately switch off the pump and remedy the fault (see Chapter *Troubleshooting*).
- Only throttle or regulate the air or gas quantity on the suction line to prevent the maximum permissible operating pressure from being exceeded.
- If the air quantity or gas quantity on the pressure line is throttled or regulated, make sure that the maximum permissible operating pressure at the pump is not exceeded.
- Ensure that the pump outlet is not closed or restricted.



DANGER

Risk of dangerous gas mixtures during pump operation

Depending on the medium being transferred, breakage of the media-contacting components can result in a dangerous mixture if the medium mixes with the air in the compressor housing or the surroundings.

- Before using a medium, check the compatibility of the media-contacting components (see 4 *Technical data* [▶ 13]) with the medium.

i Excessive pressure, with all of the associated hazards, can be prevented by means of a bypass line with a pressure relief valve between the pressure side and suction side of the pump. Further information is available from KNF Customer Service (contact data: see www.knf.com).

Pump standstill → Establish normal atmospheric pressure in the lines while the pump is at a standstill (relieve pump pneumatically).

Connecting the pump

1. Remove the protective plugs from the pneumatic connections of the pump.
2. Mount suction filter or silencer accessory parts (if present).

Vacuum operation For vacuum operation, connect the hose connector (see Fig. 1/5) to the suction side and the silencer (see Fig. 1/4) or your vacuum system components to the pressure side.

Pressure operation For pressure operation, connect the hose connector to the pressure side and the silencer or your vacuum system components to the suction side.

**NOTICE**

Self-sealing NPT threads are located on the pump. When tightening the accessories, do not tighten them all the way in order to avoid damaging the threads and the pump.

-
- | | |
|----------------------|---|
| Connected components | 3. Connect the lines to the pneumatic inlet and outlet. |
| Pump discharge | 4. Only connect components to the pump that are designed for the pneumatic data of the pump (see Chapter 4 <i>Technical data</i> [▶ 13]). |
| | 5. When using as a vacuum pump: Safely drain the pump discharge at the pneumatic outlet of the pump. |
-

**NOTICE**

Hose radii selected too small can affect the stability of the pump.

**NOTICE**

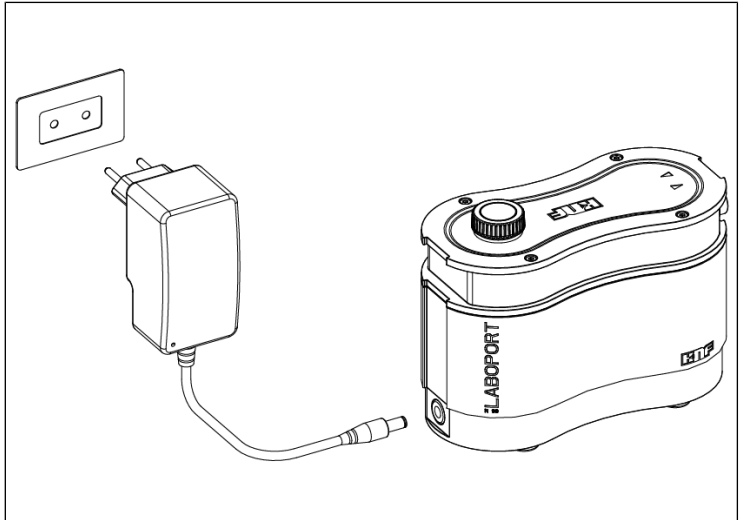
Secure the pressure-side connections with a fastener (e.g., hose/pipe clamp) to prevent the hoses from slipping down from the connection.

-
6. Plug the appropriate plug insert into the power supply.
-

**NOTICE**

Only operate the pump with the supplied SELV power supply.

-
7. Connect the pump to the power supply.
-



EN

Fig. 3: Connecting the plug to the pump

8. Plug the plug of the power supply into a properly installed, grounded socket.

8 Operation

8.1 Information on switching the pump on and off

Switching on the pump

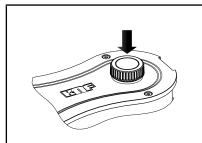


Fig. 4: Switching the pump on/off

- Make certain that the specified pressure or that the specified vacuum (see 4 *Technical data* [▶ 13]) is not exceeded in the lines when switching on.
- Switch on the pump by pushing the rotary/push knob (see Fig. 1/3, see Fig. 4).

Set flow rate

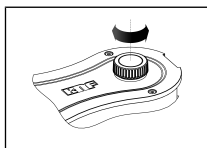


Fig. 5: Set flow rate

You can vary the speed of the pump with the rotary/push knob. This allows you to set the flow rate (see Fig. 5).

- The speed setting of the rotary/push knob is retained when the pump is switched off.

Decommissioning/switching the pump off

- When transferring aggressive media, flush the pump before switching off to extend the service life of the diaphragm (see Chapter 9 *Servicing* [▶ 27]).
- Switch the pump with the rotary/push knob (see chapter Fig. 4).
- If possible, establish normal atmospheric pressure (relieve pump pneumatically to extend the service life of the pump).
- Pull the plug of the power supply of the pump from the grounded socket.



WARNING

Automatic restart after interruption of the power supply

If the power supply is interrupted, the pump automatically restarts.

- Take appropriate measures if necessary.

9 Servicing



ESD-sensitive parts (ESDS)

Failure to observe the ESD protection provision acc. to IEC 61340-5-1 can result in total or partial damage to the pump.

- Maintenance of the pump may only be performed by a qualified person in an ESD-protected area (EPA) acc. to directive IEC 61340-5-1.



Servicing the pump

Damage to the pumps can result from failure to observe the applicable legal regulations and procedures for the location or intervention by untrained or uninstructed personnel.

- Servicing may only be performed according to the legal regulations (e.g. work safety, environmental protection) and provisions.
- Servicing may only be performed by specialized personnel or trained and instructed personnel.

9.1 Servicing schedule

Component	Servicing interval
Pump	<ul style="list-style-type: none"> → Inspect the pump periodically for external damage or leakage. → Periodically check for noticeable changes to noises and vibrations.
Diaphragm and valve plates/seals	<ul style="list-style-type: none"> → At the latest, replace when the pump flow rate decreases.

Tab. 14: Servicing schedule

9.2 Cleaning



NOTICE

During cleaning work, ensure that no fluids enter the interior of the housing.

9.2.1 Flushing the pump

- Before switching off, flush the pump with air at atmospheric conditions (ambient pressure) for about 5 minutes (if necessary for safety reasons: with an inert gas).

9.2.2 Cleaning the pump

- Only clean the pump with a damp cloth and non-flammable cleaning agents.
- If compressed air is present, blow out the parts.

9.3 Replacing diaphragm and valve plates

- Prerequisites
- Disconnect the pump from mains and ensure that it is voltage-free.
 - Clean the pump and free the pump of hazardous materials.
 - Remove the hoses from the pneumatic pump inlet and pump outlet.
 - If necessary, remove attachment parts such as silencer, suction filter, etc., from the gas connections.

Spare parts/tool

Spare part/tool	Quantity
Spare part set*	1
Torx TX10 screwdriver with torque indicator	1

Tab. 15: Spare parts/tool
 *acc. to Chapter 10 Spare parts and accessories [▶ 38]

Information on the procedure Diaphragm and valve plates/seals are the only wear parts in the pumps. They are easy to replace.

Valve plates/seals and diaphragm should generally be replaced at the same time. If the diaphragm is not replaced at the same time as the valve plates/seals, the specified output of the pump can no longer be ensured after the maintenance is performed.

EN



WARNING

Health hazard due to dangerous substances in the pump

Depending on the medium being transferred, caustic burns or poisoning is possible.

- Wear protective equipment if necessary, e.g., protective gloves, goggles.
- Clean the pump with suitable measures.



CAUTION

Risk of burns from hot pump parts

The pump head or motor may still be hot after operation of the pump.

- Allow the pump to cool after operation.

The diaphragm and valve plates/seals are to be replaced in the following order:

a.) Open pump housing

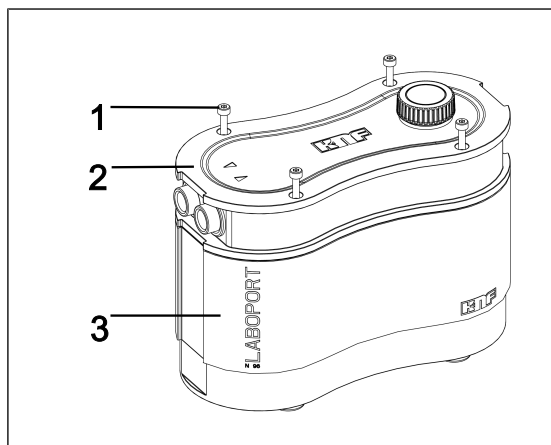


Fig. 6: Opening the housing

1. Loosen the four housing screws (Fig. 6/1) und entnehmen Sie diese aus dem Gehäusedeckel (2) (see Fig. 7). Store the screws for later reassembly.

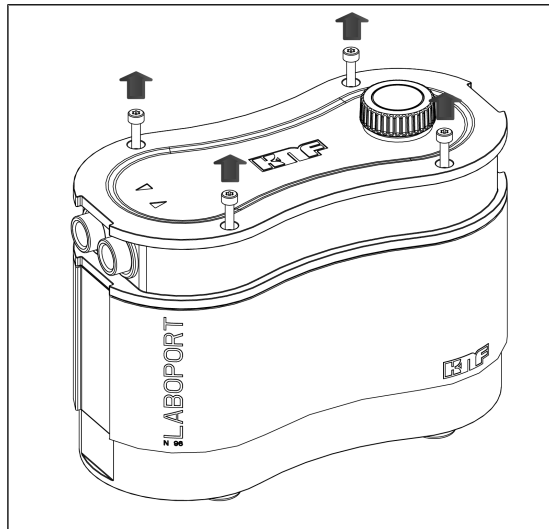


Fig.7: Loosening housing screws



NOTICE

Make certain that the following steps are performed in an ESD-protected area (EPA).

2. Push the housing cover (2) over the gas connections (see Fig. 8).

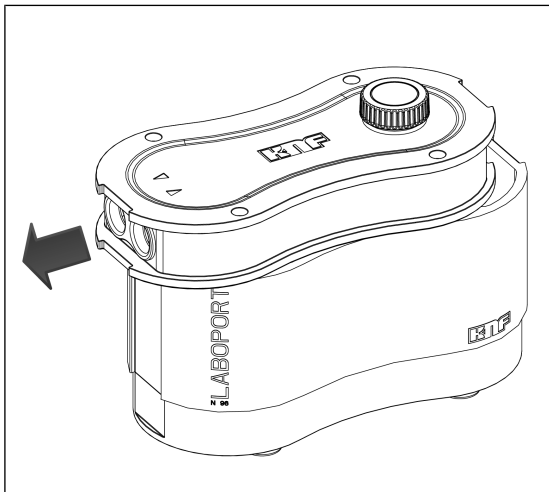


Fig.8: Pushing housing cover over gas connections (open pump)

3. Carefully remove the housing cover (2) and place it next to the pump housing (3) (see Fig. 9).
- i** When removing the housing cover (2), make certain that no larger tensile forces are exerted on the cables and that the cables are not damaged

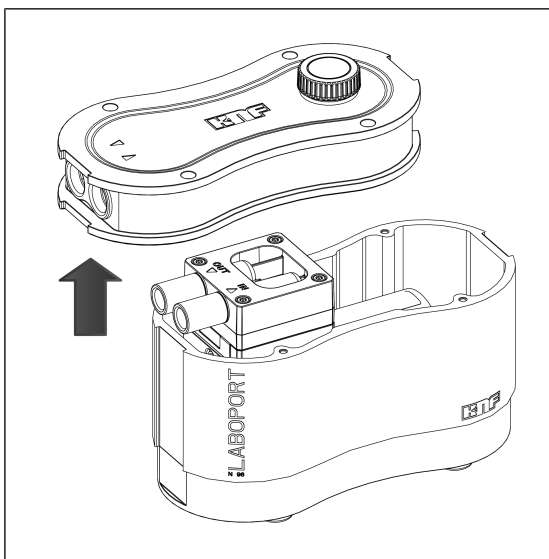


Fig.9: Removing the housing cover

The item numbers within the following work instructions refer to Fig. 10.

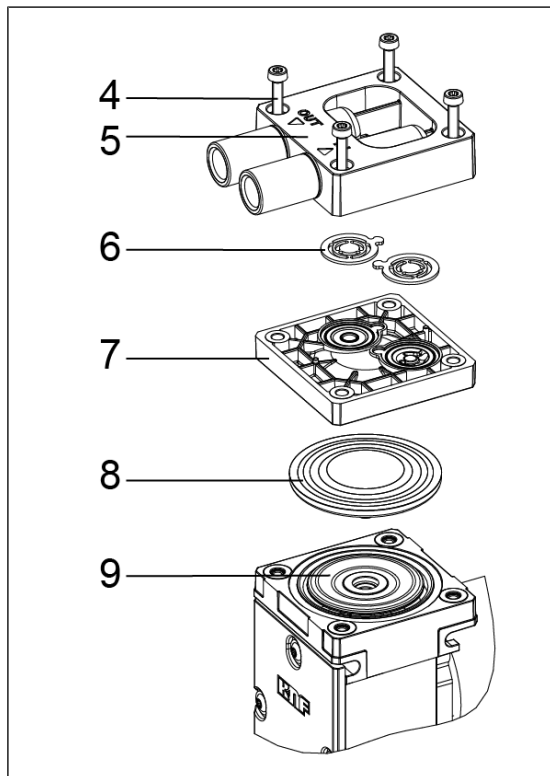


Fig.10: Exploded view

b.) Remove pump head

- Loosen the four head plate screws (4) and remove the head plate (5) together with the intermediate plate (7) from the pump housing.

c.) Change diaphragm

1. Lift the diaphragm (8) on opposing side edges. Then grasp the diaphragm (8) and move the diaphragm (8) to the upper reversal point. Unscrew the diaphragm (8) counterclockwise.
2. Check all parts for soiling and clean the parts if necessary (for further information, see Chapter 9.2 *Cleaning* [▶ 28]).

3. Screw the new diaphragm (8) onto the connecting rod (9) (clockwise) and hand tighten the diaphragm (8).

i When screwing in the diaphragm (8), ensure that it is not overtightened.
If the diaphragm is overtightened, there is a risk that it could be damaged.

d.) Change valve plates

1. Separate the head plate (5) from the intermediate plate (7).
2. Remove the valve plates/seals (6) from the head plate (5).
3. Please check the valve seats, intermediate plate (7) and head plate (5) for cleanliness; replace these parts in the event of unevenness, scratches or corrosion (contact your KNF Customer Service in this case).

i Insert the new valve plates/seals (6) in the valve seats of the intermediate plate (7); the valve plates/seals (6) for the pressure and suction side are identical; the same applies for the top and bottom of the valve plates/seals (6).

4. By slightly moving the valve plates/seals (6) horizontally, make certain that they are not under tension.
5. Make certain that the valve plates/seals (6) are centered in the valve seats of the intermediate plate (7).
6. Properly dispose of the replaced diaphragm, valve plates/seals.

e.) Mount pump head

1. Place the intermediate plate (7) with valve plates/seals (6) on the housing.
2. Place head plate (5) on intermediate plate (7) according to the centering.

i Place pump head on the compressor housing according to the alignment of the gas connections.

3. Tighten the screws (4) crosswise (tightening torque: 190-200 Ncm).

f.) Close pump housing

1. Carefully place the housing cover (Fig. 6/2) on the pump housing (3) (see Fig. 11).
- i** In doing so, make certain that the cables within the pump housing (3) and the circuit board are not damaged.

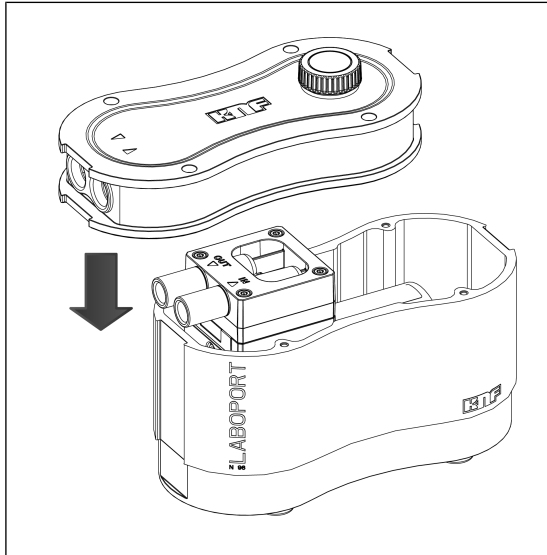


Fig. 11: Mounting the housing cover

2. Push the housing cover (2) over the gas connections until the geometry of the housing cover (2) is aligned with that of the pump housing (3) (see Fig. 12).

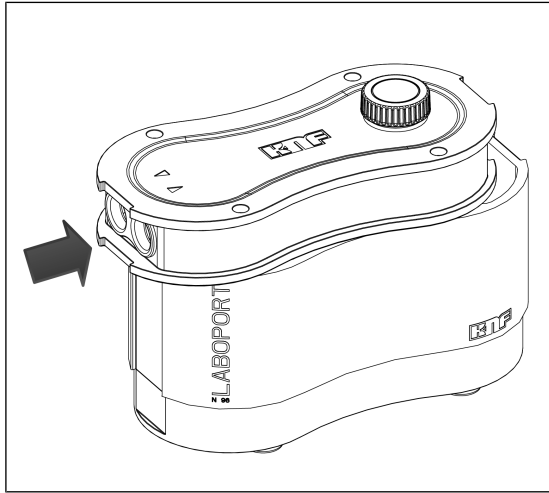


Fig.12: Pushing housing cover over gas connections (close pump)

3. Screw in the four housing screws (1) crosswise (tightening torque: 190 – 200 Ncm) (see Fig. 13).

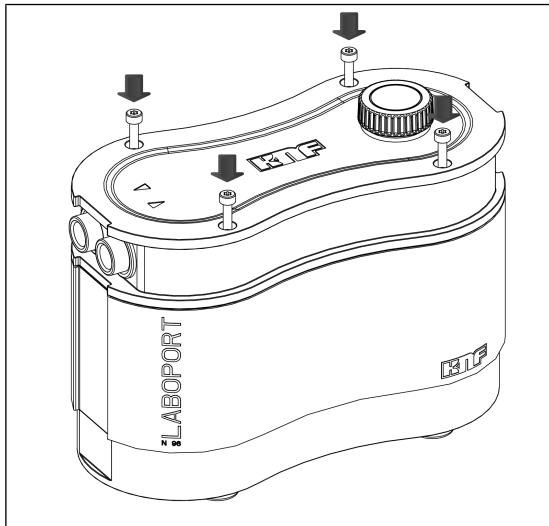


Fig.13: Screwing in housing screws

g.) Final steps



WARNING

Risk of injury and poisoning from leaks

- Before recommissioning the pump, check the pump heads and pneumatic connections for leaks. Leaks may lead to poisoning, chemical burns or similar injuries.

-
1. If necessary, screw in attachment parts such as silencer, suction filter, etc., from the gas connections.
 2. Perform a function test.
 - Connect the gas connections to the pump.
 - Connect the pump to the power supply.
 - Test the pump for proper function (among other things, ultimate vacuum).
 - Again disconnect the pump electrically and pneumatically.
 3. Install the pump in the desired installation location according to *7 Commissioning [▶ 19]*.
 - Connect the gas connections to the pump.
 - Connect the pump to the power supply.
 - Test the pump for proper function (among other things, ultimate vacuum).

If you have questions with regard to maintenance, please contact your KNF Customer Service (contact data: see www.knf.com).

10 Spare parts and accessories

i To order spare parts and accessories, please contact your KNF sales partner or KNF Customer Service (contact data: see www.knf.com).

10.1 Spare parts

Spare part set

A spare part set consists of:

Spare part set

Spare part set	Order number
Laboport N96	322636

Tab. 16: Spare part set

A spare part set consists of:

Parts	Quantity
Diaphragm	1
Valve plates/ seals	2

Tab. 17: Spare parts

Other spare parts	Order number
Power supply set	323457
Silencer and hose connector set ID6, PP	323456

Tab. 18: Other spare parts

10.2 Accessories

Accessories	Order number
Tripod holder	323484

Tab.19: Accessories

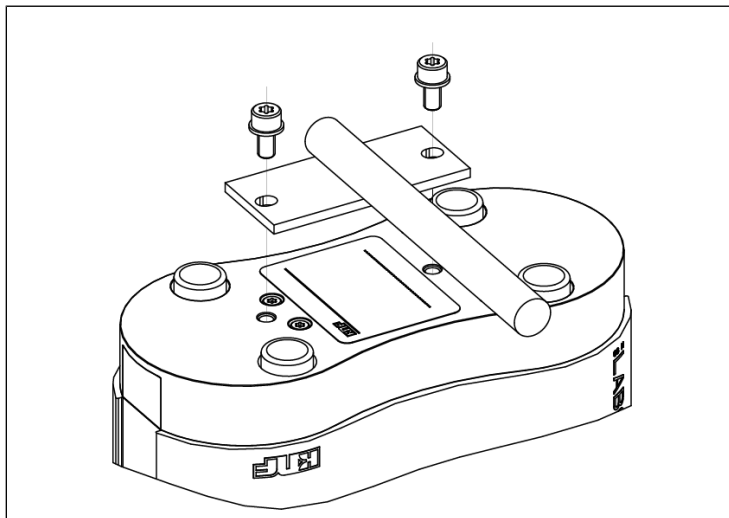


Fig.14: Pump with tripod holder

11 Troubleshooting



Danger: electric shock can be life-threatening.

- All work on the pump may only be performed by an authorized specialist.
- Before working on the pump: Disconnect the pump from the power supply.
- Check and ensure that no voltage is present.

→ Check the pump (see following tables).

Pump not delivering	
Cause	Troubleshooting
No voltage in the electrical mains.	→ Check the circuit breaker for the room and switch it on if necessary.
Overtemperature protection of the pump has tripped	<ul style="list-style-type: none"> → Disconnect the pump from the electrical mains. → Allow the pump to cool. → Determine the cause of the overheating and rectify.
Connections or lines are blocked.	<ul style="list-style-type: none"> → Check the connections and lines. → Remove the blockage.
External valve is closed or filter is clogged.	→ Check external valves and filters.
Condensate has collected in the pump head.	<ul style="list-style-type: none"> → Separate the source of the condensate from the pump. → Flush the pump with air at atmospheric pressure for a few minutes (if necessary for safety reasons: with an inert gas).
Diaphragms or valve plates/seals are worn.	→ Replace the diaphragms and the valve plates/seals (see Chapter 9.3 <i>Replacing diaphragm and valve plates</i> [▶ 29]).

Tab.20: Troubleshooting: Pump not delivering

Flow rate, pressure or vacuum too low	
The pump does not reach the output stated in the technical data or data sheet.	
Cause	Fault remedy
Condensate has collected in the pump head.	<ul style="list-style-type: none"> → Separate the source of the condensate from the pump. → Flush the pump with air at atmospheric pressure for a few minutes (if necessary for safety reasons: with an inert gas). → If present, open the gas ballast and flush the pump head.
There is overpressure on the pressure side and at the same time vacuum or pressure above atmospheric pressure on the suction side.	<ul style="list-style-type: none"> → Change the pneumatic conditions.
Pneumatic lines or connection parts have insufficient cross-sections or are throttled.	<ul style="list-style-type: none"> → Disconnect the pump from the system to determine the output values. → Eliminate any throttling (e.g. valve) if necessary. → Use lines or connection parts with a larger cross-section if necessary.
Leaks occur at connections, lines or pump head.	<ul style="list-style-type: none"> → Ensure the correct seating of the hoses on the hose connectors. → Ensure that the connections are correctly mounted. → Replace the leaky hoses. → Eliminate the leaks.
Connections or lines are completely or partially clogged.	<ul style="list-style-type: none"> → Check the connections and lines. → Remove any parts or particles that are causing blockages.
Head parts are soiled.	<ul style="list-style-type: none"> → Clean the head components.
Diaphragms or valve plates/seals are worn.	<ul style="list-style-type: none"> → Replace the diaphragms and the valve plates/seals (see Chapter 9.3 <i>Replacing diaphragm and valve plates</i> [▶ 29]).

Flow rate, pressure or vacuum too low	
The pump does not reach the output stated in the technical data or data sheet.	
Cause	Fault remedy
Replaced diaphragm and valve plates/seals.	<ul style="list-style-type: none"> → Check the hoses for leaks. → If necessary, carefully tighten the outer screws of the pressure plate crosswise.
Rotary/push knob is not set to max. speed.	<ul style="list-style-type: none"> → Set the rotary/push knob to max. speed.

Tab.21: Troubleshooting: Flow rate, pressure or vacuum too low

12 Returns

Preparing for return

1. Flush the pump with air for a few minutes (if necessary for safety reasons: with inert gas) at atmospheric pressure to free the pump head of dangerous or aggressive gases (see Chapter 9.2.1 *Flushing the pump* [▶ 28]).

i Please contact your KNF sales partner if the pump cannot be flushed due to damage.

2. Remove the pump.
3. Clean the pump (see Chapter 9.2.2 *Cleaning the pump* [▶ 28]).
4. Send the pump together with the completed Health and Safety Clearance and Decontamination Form to KNF, stating the nature of the transferred medium.
5. Pack the device securely to prevent further damage to the product. If necessary, request original packaging for a fee.

Returns

KNF shall undertake to repair the pump only under the condition that the customer presents a certificate regarding the medium that is pumped and the cleaning of the pump. Used devices can also be returned under the provisions of the WEEE. Please follow the instructions at [knf.com/repairs here](https://knf.com/repairs).

Contact your KNF sales partner directly if you require additional support for your return service.

13 Index

- A**
- Accessories 39
 - Accident prevention 9
- C**
- Cleaning 28
 - Commissioning 21
 - Operating requirements 20
 - Connecting rod 16
 - Connection 9
 - Customer service 12
- D**
- Diaphragm 16, 33
 - Dimensions 14
 - Directives 11
 - Disposal 12
- E**
- Eccentric 16
 - Electrical data 13
 - Environmental protection 12
 - ESD 27
- F**
- Flow rate 13, 26
 - Set flow rate 26
- G**
- Gas connection 13
 - Genuine spare parts 12
- H**
- Head plate 33
 - Head plate screw 33
 - Hose connector 3, 15
 - Housing cover 31
 - Housing screw 31
- I**
- Inlet 15
 - Inlet valve 16
 - Installation altitude 14
 - Installation location 19
 - Intermediate plate 33
- L**
- Laboport ® N96 3
- M**
- Maintenance 27
 - maintenance-free 12
 - Material 13
 - Medium 10
 - Combustible media 11
 - Hazardous media 10
 - Mounting 19
- O**
- Operating conditions 10
 - Operating pressure 13
 - Ordinances 11
 - Outlet 15
 - Outlet valve 16
- P**
- packaging 3
 - Parameter
 - Operating parameters 9
 - Storage parameter 18
 - Transport parameter 18
 - Parameters

Operating parameters	21
Performance, pneumatic	13
Personnel	8
Pneumatic data	13
Power supply	3, 25, 26
Connecting power supply	24
Plug insert	3, 24
Power, electrical	13
Pressure application	23
Pressure operation	23
Protection class of pump	14
pump discharge	24
Pump housing	32
pump standstill	23

R

Repairs	12
Replacing wear parts	29
Responsibility of the operator	9

S

Scope of delivery	3
Servicing	12
Silencer	3, 15, 23
Spare part	38
Spare part set	38
Spare parts	29
Specialist personnel	12
Standards	11
Startup parameters	14
switching on	26

T

Target group	8
Temperature	
Ambient temperature	14
Media temperature	14
Operating temperature	14
Storage temperature	18
Transport temperature	18
Tools	29

Transfer chamber	16
Transport	17
Tripod holder	39
Troubleshooting	40

U

Ultimate vacuum	13
-----------------------	----

V

Vacuum operation	23
Valve plate	34

W

Warning notice	5
Weight	14
Working in a safety conscious manner	9

KNF Neuberger GmbH
Alter Weg 3
79112 Freiburg
Germany
Tel. +49 (0)7664/5909-0

E-mail: info.de@knf.com
www.knf.com

KNF worldwide

You can find our local KNF partners at: www.knf.com



Lab

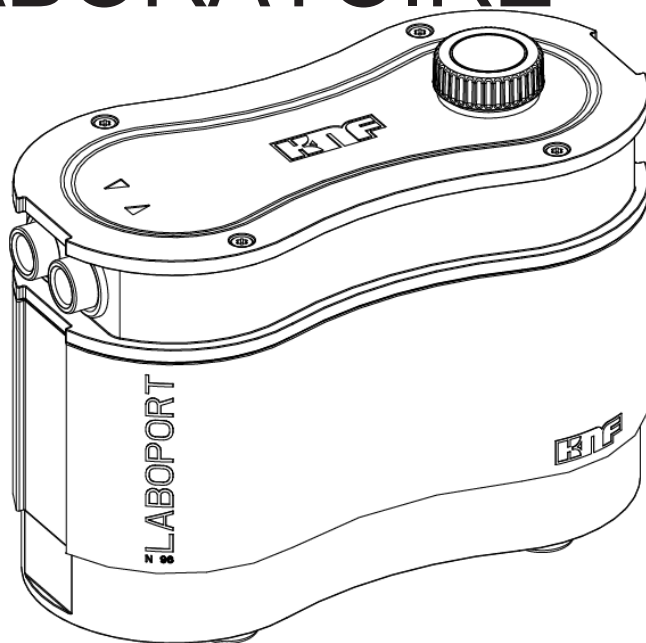
Laboport® N96

TRADUCTION DU MODE
D'EMPLOI ORIGINAL
FRANÇAIS

FR

LABOPORT®

POMPES DE LABORATOIRE



Remarque !

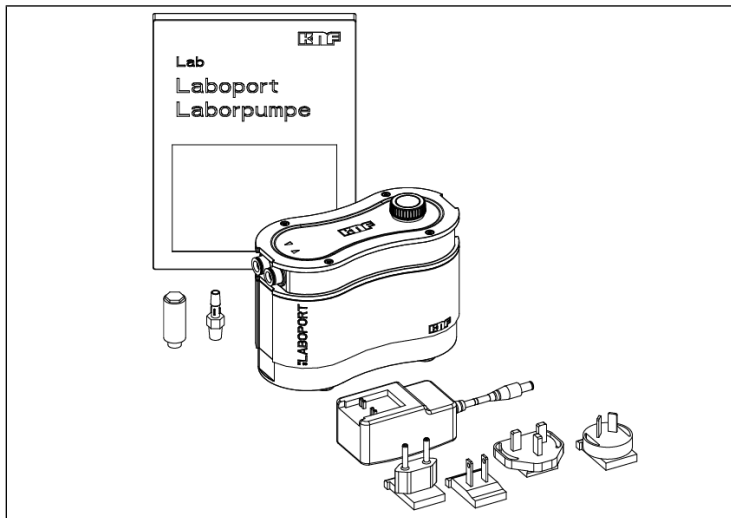
Avant de mettre la pompe et les accessoires en service, veuillez lire et observer les instructions d'utilisation et de montage ainsi que les consignes de sécurité !

Table des matières

1	Matériel fourni	3
2	À propos de ce document	4
2.1	Bon usage de la notice d'utilisation.....	4
2.2	Exclusion de la responsabilité.....	4
2.3	Documents de référence.....	5
2.4	Symboles et marquages	5
3	Sécurité	8
3.1	Personnel et groupe ciblé	8
3.2	Responsabilité de l'exploitant.....	9
3.3	Travail dans le respect de la sécurité	9
3.4	Conditions de service.....	10
3.5	Fluides	10
3.6	Directives et normes	11
3.7	Service après-vente et réparations	12
3.8	Élimination	12
4	Caractéristiques techniques	14
5	Description du produit et fonctionnement.....	16
6	Transport.....	18
	Généralités.....	18
7	Mise en service	20
7.1	Préparatifs de la mise en service.....	21
7.2	Mise en service	21
8	Fonctionnement	27
8.1	Informations sur la mise en marche et arrêt de la pompe.....	27
9	Entretien.....	29
9.1	Plan d'entretien	30
9.2	Nettoyage.....	30
9.3	Remplacement de la membrane et des plaques de soupapes...	31
10	Pièces de rechange et accessoires	41
10.1	Pièces de rechange	41
10.2	Accessoires.....	42
11	Dépannage.....	43
12	Renvoi	46
13	Index	47

1 Matériel fourni

- Laboport ® N96
- Bloc d'alimentation avec fiche d'alimentation (EU, US, UK, AU)
- Raccord pour tuyau avec filetage NPT ID6
- Amortisseur de bruit
- Notice d'utilisation
- QuickStart



Déballage de la pompe

1. Une fois déballés, contrôlez la pompe et les accessoires fournis pour vérifier l'absence de dommages.
2. Si l'emballage est endommagé, informez le transporteur en charge afin qu'un constat des dommages puisse être établi. Pour plus d'informations, reportez-vous au chapitre 6 *Transport* [▶ 18].

2 À propos de ce document

2.1 Bon usage de la notice d'utilisation

La notice d'utilisation fait partie intégrante de la pompe.

- En cas d'ambiguïtés sur le contenu de la notice d'utilisation, n'hésitez pas à questionner le fabricant (contact : voir www.knf.com). Prenez soin d'avoir à portée de main le type et le numéro de série de la pompe.
- Lisez la notice d'utilisation avant de mettre la pompe en service.
- Transmettez la notice d'utilisation uniquement dans son intégralité et non modifiée au prochain propriétaire, s'il y a lieu.
- Gardez à tout moment la notice d'utilisation à portée de main.

Pompes projet Dans le cas des pompes projet spécifiques au client (types de pompes commençant par "PJ" ou "PM"), des différences sont possibles dans les notices de montage et d'utilisation.

- Respectez également les spécifications convenues pour les pompes projet.

2.2 Exclusion de la responsabilité

Le constructeur décline toute responsabilité en cas de dommages et de dérangements résultant du non-respect de la présente notice d'utilisation.

Le constructeur décline toute responsabilité en cas de dommages et de dérangements résultant de modifications ou de transformations de l'appareil et de manipulation inappropriée.

Le constructeur décline toute responsabilité en cas d'utilisation de pièces de rechange et de pièces accessoires non autorisées.

2.3 Documents de référence

Les documents énumérés ci-après doivent également être pris en compte. Les versions en vigueur sont disponibles sur www.knf.com/Downloads.

- Caractéristiques techniques
- Modèle 3D

Il convient en outre de tenir compte des :

- Conditions générales de vente locales
- Documents commerciaux et des éléments convenus entre KNF et le client.

FR

2.4 Symboles et marquages

Avertissement



**AVERTIS-
SEMENT**

Il s'agit d'une note vous avertissant d'un danger.

Voici les conséquences possibles du non-respect de cet avertissement. Le mot-clé, par ex. avertissement, indique le niveau de danger.

→ Il s'agit de mesures visant à éviter le danger et ses conséquences.

Niveaux de danger

Mot-clé	Signification	Conséquences du non-respect
DANGER	Avertit d'un danger imminent	Mort, graves blessures corporelles ou dommages matériels graves.
AVERTISSEMENT	Avertit d'un danger potentiel imminent	La mort, des blessures corporelles graves ou des dommages matériels importants sont possibles.
ATTENTION	Avertit d'une situation dangereuse possible	Des blessures corporelles légères ou des dommages matériels sont possibles.
REMARQUE	Avertit d'un dégât matériel possible	Des dommages matériels sont possibles.

Tab.1: Niveaux de danger

Autres remarques et symboles













→ Il s'agit d'une activité à effectuer (une étape).

1. C'est ici que se trouve la première étape d'une activité à effectuer.

D'autres étapes numérotées en continu suivront.

i Ce symbole signale des informations importantes.

Légende des pictogrammes

Pictogramme	Signification
	Avertissement de danger général
	Avertissement concernant les surfaces chaudes
	Avertissement concernant les tensions électriques
	Avertissement concernant des substances toxiques
	Avertissement concernant les blessures aux mains dues à un écrasement
	Zone protégée contre les décharges électrostatiques
	Respecter la notice d'utilisation
	Signal d'avertissement général
	Débrancher la prise d'alimentation réseau
	Porter des chaussures de sécurité
	Porter des gants de protection
	DEEE Symbole pour la collecte séparée des appareils électriques et appareils électroniques. L'utilisation de ce symbole signifie que ce produit ne doit pas être jeté avec les déchets ménagers normaux.
	Recyclage

Tab.2: Légende des pictogrammes

3 Sécurité

i Respectez les consignes de sécurité des chapitres 7 *Mise en service* [► 20] et 8 *Fonctionnement* [► 27].

3.1 Personnel et groupe ciblé

Personnel Veillez à ce que seul un personnel formé et instruit ou un personnel qualifié travaille sur les pompes. Ceci s'applique en particulier aux travaux de mise en service et de maintenance.

Assurez-vous que le personnel a lu et compris la notice d'utilisation, en particulier le chapitre Sécurité.

Groupe ciblé

Groupe ciblé	Définition
Utilisateur	Personnel de laboratoire
Personnel spécialisé	Un personnel qualifié est une personne qui possède <ul style="list-style-type: none"> - une expérience professionnelle spécialisée spécifique au domaine auquel s'applique le paragraphe de texte concerné ; - des connaissances actuelles spécifiques au domaine auquel s'applique le paragraphe de texte concerné.

Tab.3: Groupe ciblé

Matrice Qui-fait-quoi

Phase de vie	Utilisateur	Personnel spécialisé
Transport		X
Mise en place	X	X
Préparatifs de la mise en service	X	X
Mise en service	X	X
Fonctionnement	X	X
Entretien		X
Dépannage		X
Élimination		X

Tab.4: Matrice Qui-fait-quoi

3.2 Responsabilité de l'exploitant

Les pompes sont construites conformément aux règles techniques reconnues et aux prescriptions en matière de sécurité du travail et de prévention des accidents. Toutefois, leur utilisation peut entraîner des risques pouvant occasionner des blessures corporelles pour l'utilisateur ou des tiers ou bien endommager la pompe ou d'autres biens.

Assurez-vous qu'aucune situation de danger, de blessure corporelle ni de dommage à la pompe ne puisse survenir.

Paramètres
de fonctionne-
ment

Installez et faites fonctionner la pompe uniquement en conformité avec les paramètres et les conditions de service décrits aux chapitres 3.4 *Conditions de service* [► 10] et 4 *Caractéristiques techniques* [► 14].

3.3 Travail dans le respect de la sécurité

Respectez les consignes de sécurité et de prévention des accidents lors de tous travaux sur les pompes ainsi que pendant leur fonctionnement.

Évitez de toucher les têtes de pompe et les pièces du carter car la pompe chauffe pendant le fonctionnement.

Veillez à ce que la pompe soit déconnectée du réseau et hors tension lors d'une intervention sur la pompe.

Lors du raccordement de la pompe au réseau électrique, respectez les consignes de sécurité applicables.

N'exposez aucune partie du corps au vide.

Veillez à ce que l'écoulement via des raccords de gaz ouverts, les effets acoustiques ou les gaz chauds, corrosifs, dangereux ou nocifs pour l'environnement ne représentent aucun danger.

Assurez-vous que la compatibilité électromagnétique de l'installation de la pompe est à tout moment assurée et que cette dernière ne puisse pas générer de situation de danger.

Évitez de libérer des vapeurs et des gaz dangereux, toxiques, explosifs, corrosifs et nocifs pour la santé et pour l'environnement, par ex. en utilisant un matériel de laboratoire approprié équipé de systèmes de ventilation et d'évacuation.

3.4 Conditions de service

Utilisez les pompes uniquement en parfait état technique et conformément à leur destination, compte tenu des consignes de sécurité et des risques, en respectant la notice d'utilisation.

Les pompes ne doivent être utilisées que lorsqu'elles sont entièrement montées telles que livrées.

Assurez-vous que le lieu d'installation est sec et que la pompe est protégée de la pluie, des éclaboussures, des projections d'eau et des gouttes d'eau ainsi que d'autres impuretés.

L'étanchéité des raccords entre les tuyaux de l'installation et de la pompe (ou le raccordement de la pompe) doit être vérifiée régulièrement. Des raccords qui fuient peuvent permettre à des vapeurs et des gaz dangereux de s'échapper du système de pompage.

Les composants à raccorder aux pompes doivent être conçus pour les données pneumatiques des pompes.

3.5 Fluides

Exigences en matière de fluides refoulés

Avant de pomper un fluide, vérifiez si celui-ci peut être pompé sans risque dans un cas d'application concret.

Observez également la moindre modification de l'état du groupe (condensation, cristallisation).

Avant d'utiliser un fluide, vérifiez la compatibilité des composants en contact avec le fluide (voir *4 Caractéristiques techniques* [► 14]).

Utilisez uniquement des gaz qui restent stables dans les conditions de pression et de température qui règnent dans la pompe.

Manipulation de fluides dangereux

En cas de rupture et/ou de fuite de la membrane, le fluide pompé se mélange à l'air ambiant et/ou présent dans le carter du système de vide. Assurez-vous que cela ne crée pas une situation dangereuse.

Lors du pompage de fluides dangereux, respectez les consignes de sécurité relatives à la manipulation de ces fluides.

Consignes de sécurité relatives à la manipulation des fluides combustibles

Veillez tenir compte du fait que la pompe n'est pas protégée contre les explosions.

Veillez à ce que la température du fluide soit à tout moment suffisamment inférieure à la température d'inflammation du fluide pour éviter toute inflammation ou explosion. Cela vaut également pour les situations de fonctionnement exceptionnelles.

Notez que la température du fluide augmente lorsque la pompe comprime le fluide.

Pour cette raison, assurez-vous que la température du fluide soit suffisamment inférieure à sa température d'inflammation également lors de la compression jusqu'à la surpression de service maximale admissible du système de vide. La surpression maximale admissible du système de vide est indiquée au chapitre 4 *Caractéristiques techniques* [▶ 14].

Veillez à ce que la température ambiante admissible (se référer aux 4 *Caractéristiques techniques* [▶ 14]) ne soit pas dépassée.

Tenez compte, le cas échéant, des sources d'énergie externes (par exemple, sources de rayonnement) qui peuvent chauffer davantage le fluide.

En cas de doute, n'hésitez pas à interroger le service après-vente de KNF.

FR

3.6 Directives et normes

UE/CE-
directives /
normes



Les pompes sont en conformité avec les directives/Règlements :

- 2011/65/EU (RoHS)
- 2014/30/EU (CEM)
- 2006/42/CE (MRL)
- UK Regulation S.I. 2008/1597 Supply of Machinery (Safety)
- UK Regulation S.I. 2016/1091 Electromagnetic Compatibility
- UK Regulation S.I. 2012/3032 Restriction of the Use of Certain Hazardous Substances in Electrical and Electronic Equipment

Les normes harmonisées/nommées suivantes sont respectées :

- EN 1012-2
- EN ISO 12100
- EN 61010-1
- EN 61326-1
- EN IEC 63000



Les pompes ont été contrôlées par l'organisme de certification allemand TÜV selon les normes :

- UL 61010-1
- CAN/CSA-C22.2 N° 61010-1

Certificat : N° U8 045055 0021 Rév. 00

3.7 Service après-vente et réparations

Service après-vente et réparations

Les pompes ne nécessitent aucun entretien. Cependant, KNF recommande de vérifier régulièrement les pompes pour détecter les changements anormaux au niveau du bruit et des vibrations.

Confiez les réparations sur les pompes exclusivement au service après-vente KNF.

Seul le personnel qualifié est autorisé à ouvrir les carters contenant des pièces sous tension.

Lors des travaux de maintenance, n'utilisez que des pièces d'origine de KNF.

3.8 Élimination

Protection de l'environnement/DEEE

Stockez la pompe ainsi que toutes les pièces de rechange conformément à la réglementation environnementale. Respectez les réglementations nationales et internationales. Ceci est particulièrement important pour les pièces contaminées par des substances toxiques.



Si vous n'avez plus besoin des matériaux d'emballage (par ex. pour le retour ou un autre transport du système de vide), éliminez-les dans le respect de l'environnement.



Ce produit est identifié conformément à la directive UE relative aux déchets d'équipements électriques et électroniques (DEEE). Les appareils usagés ne doivent pas être jetés avec les ordures ménagères. Une élimination et le recyclage effectués dans les règles contribuent à préserver les ressources naturelles et l'environnement. L'utilisateur final s'engage à éliminer les appareils usagés conformément aux directives nationales et internationales en vigueur. En guise d'alternative, les produits KNF (appareils usagés) peuvent aussi être repris pas KNF contre paiement (voir chapitre Renvoi).

4 Caractéristiques techniques

Caractéristiques techniques

Matériaux des pompes

Désignation	Matériau
Tête de pompe	PPS
Membrane	Revêtement PTFE
Soupapes	FPM

Tab.5: Matériaux des pompes

Caractéristiques pneumatiques

Paramètres	Valeur
Surpression de service maximale admissible [bar rel*]	2,5
Vide limite [mbar abs.]	< 130
Débit de refoulement à la pression atm. [l/min]**	1,5 -7,0 ± 10%

Tab.6: Caractéristiques pneumatiques

*bar rel par rapport à 1013 hPa

**litres en conditions normales (1013 hPa, 20°C)

Raccords pneumatiques

Type de pompe	Valeur
Laboport N96	NPT 1/8

Tab.7: Raccords pneumatiques

Caractéristiques électriques

Pompe

Paramètres	Valeur
Tension [V]	24 DC
Puissance P [W]	19
Fluctuations de tension secteur maxi. admissibles	± 10%
Intensité du courant absorbé [A]	0,9

Tab.8: Caractéristiques électriques de la pompe

Bloc d'alimentation

Paramètres	Valeur
Tension [V]	100 à 240 AC
Fréquence [Hz]	50/60
Intensité du courant absorbé [A]	0,7 A / 100 V AC 0,4 A / 230 V AC

Tab.9: Caractéristiques électriques du bloc d'alimentation

Poids

Type de pompe	Valeur [kg]
Laboport N96	1,3

Tab.10: Poids

Autres paramètres

Paramètres	Valeur
Température ambiante admissible [°C]	de + 5 à + 40
Température de fluide admissible [°C]	+ 5 à + 40
Dimensions [L x H x l] [mm]	156 x 119 x 75
Humidité de l'air relative maximale admissible de l'environnement	80 % pour des températures jusqu'à 31 °C, linéaire décroissant jusqu'à 50 % à 40 °C (non condensant).
Hauteur de montage maximale [altitude en m]	2000
Type de protection de la pompe	IP40
Démarrage contre	
- Vide absolu [mbar abs.]	< 130
- Pression relative [bar rel*]	2,5

Tab.11:

*bar rel par rapport à 1013 hPa

5 Description du produit et fonctionnement

- 1 Refoulement
- 2 Admission
- 3 Bouton-poussoir-rotatif
- 4 Amortisseur de bruit
- 5 Raccord pour tuyau

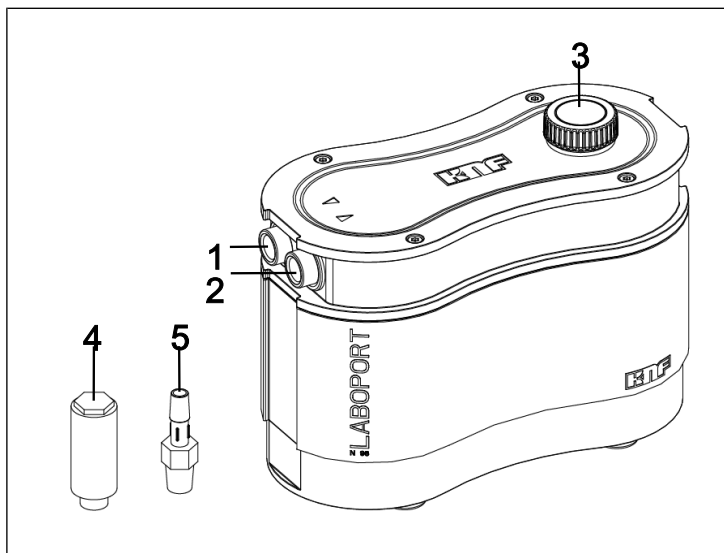


Fig.1: Laboport N96

Le bouton-poussoir/rotatif (3) permet de mettre la pompe en marche et en arrêt. Il sert aussi à régler le débit de refoulement (voir 8.1 *Informations sur la mise en marche et arrêt de la pompe* [27]).

La pompe étant montée sur amortisseurs insensibles aux oscillations, un léger mouvement de l'admission (2) et de l'refoulement (1) par rapport au reste du carter est possible.

Fonctionnement pompe à membrane

- 1 Clapet de re-fooulement
- 2 Clapet d'aspiration
- 3 Chambre de compression
- 4 Membrane
- 5 Excentrique
- 6 Bielle

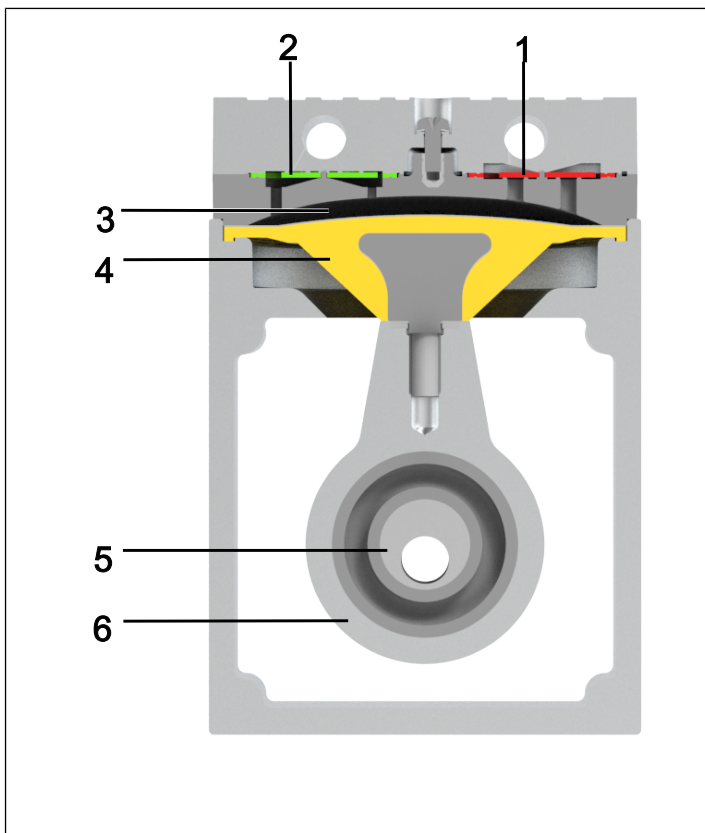


Fig.2: Fonctionnement pompe à membrane

Les pompes à membrane transportent, compriment (en fonction du modèle) et évacuent des gaz et vapeurs.

La membrane élastique (4) est déplacée de haut en bas par l'excentrique (5) et la bielle (6). Dans la course descendante, elle aspire le gaz à pomper par l'intermédiaire du clapet d'admission (2). Lors de la course ascendante, la membrane force le fluide hors de la tête de pompe via le clapet d'échappement (1). La chambre de compression/détente de la pompe (3) est séparée hermétiquement de l'entraînement de la pompe () par la membrane.

6 Transport

Généralités



ATTENTION

Dommages corporels et/ou matériels dus à un transport erroné ou inapproprié de la pompe

Un transport erroné ou incorrect de la pompe peut la faire tomber, l'endommager ou blesser des personnes.

- Si nécessaire, utilisez des moyens appropriés (sangle de transport, dispositif de levage, etc.).
 - Si nécessaire, portez un équipement de protection individuelle approprié (par ex. chaussures de sécurité, gants de protection).
-



ATTENTION

Risque de blessures dues à des arêtes vives de l'emballage

En saisissant les coins ou en ouvrant l'emballage, il y a un risque de blessure, notamment de coupure par les bords tranchants.

- Si nécessaire, porter un équipement de protection individuelle approprié (par ex. chaussures de sécurité, gants de protection).
-

- Transportez la pompe dans l'emballage d'origine jusqu'au lieu d'installation.
- Conservez l'emballage d'origine de la pompe (par ex. pour un stockage ultérieur).
- À la réception de la pompe, vérifiez qu'elle n'a pas été endommagée pendant le transport.

- Documentez par écrit les dommages intervenus pendant le transport.
- Avant la mise en service de la pompe, retirez les sécurités de transport si nécessaire.

Paramètres

Paramètres	Valeur
Température de stockage [°C]	+ 5 à + 40
Température de transport [°C]	- 10 à + 60
Humidité rel. (sans condensation) [%]	30 à 85

Tab.12: Paramètres de transport et paramètres de stockage



REMARQUE

Avant la mise en service, veillez à ce que la pompe soit à température ambiante (4 Caractéristiques techniques [p. 14]).

7 Mise en service

Raccordez la pompe uniquement selon les paramètres et conditions de service décrits au chapitre 4 *Caractéristiques techniques* [► 14].

- Respectez les consignes de sécurité (voir chapitre Sécurité).
- Avant de procéder au raccordement de la pompe, mettez-la sur le lieu d'utilisation afin qu'elle prenne la température ambiante (il ne doit pas y avoir de condensation).

Alimentation en air de refroidissement



AVERTISSEMENT

Brûlures dues à des surfaces chaudes
La surchauffe de la pompe peut générer des surfaces chaudes.

- Lors de l'installation de la pompe, veillez à une alimentation et à un refoulement suffisantes de l'air de refroidissement.

Lieu d'utilisation

- Assurez-vous que le lieu d'utilisation est sec et que la pompe est protégée de la pluie, des éclaboussures, des projections d'eau et des gouttes d'eau ainsi que d'autres impuretés.
- Choisissez un emplacement sûr (surface plane) pour la pompe.
- Protégez la pompe de la poussière.
- Protégez la pompe des vibrations, des chocs et des dommages extérieurs.
- Assurez-vous que l'interrupteur est facile à manœuvrer.

7.1 Préparatifs de la mise en service

Avant de mettre la pompe en marche, procédez aux contrôles suivants :

	Conditions d'exploitation requises
Pompe	- Raccorder correctement tous les tuyaux
Pompe	- Les valeurs du réseau électrique sont conformes aux indications de la plaque signalétique du bloc d'alimentation. - La sortie pneumatique gaz n'est pas obturée ni restreinte.

Tab.13: Conditions d'exploitation requises pour la mise en service

7.2 Mise en service



ATTENTION

Risque de blessures par éclatement des tuyaux lors d'applications sous pression en raison de températures excessives

Lors du fonctionnement sous pression de la pompe, les tuyaux qui ne sont pas prévus pour résister aux températures maximales d'exploitation de la pompe au point de fonctionnement considéré peuvent devenir poreux et éclater.

- Employez des tuyaux de refoulement thermorésistants pour les raccords pneumatiques.
- Si besoin est, portez un équipement de protection individuelle (par ex. gants de protection, protections acoustique).



AVERTIS- SEMENT

Blessures oculaires

Si l'on s'approche trop près de l'entrée/ la sortie pneumatique gaz, les yeux peuvent être blessés par le vide / la surpression en présence.

- Pendant le fonctionnement, ne regardez pas dans l'entrée/la sortie pneumatique gaz.

-
- Utilisez la pompe uniquement selon les paramètres et les conditions de service, tels que décrits au chapitre 4 *Caractéristiques techniques* [▶ 14].
 - Assurez-vous de la conformité d'utilisation de la pompe (voir chapitre Utilisation conforme).
 - Excluez toute utilisation non conforme de la pompe (voir chapitre Utilisation non conforme).
 - Respectez les consignes de sécurité (voir le chapitre 3 *Sécurité* [▶ 8]).



AVERTIS- SEMENT

Risque d'éclatement de la tête de pompe dû à une augmentation excessive de la pression

- Ne dépassez pas la surpression de service maximale autorisée (voir 4 *Caractéristiques techniques* [▶ 14]).
- Surveillez la pression pendant le fonctionnement.
- Si la pression augmente au-delà de la pression de service maximale autorisée : Arrêtez immédiatement la pompe et remédiez au dérangement (voir chapitre Remédier au dérangement).
- Réduisez ou réglez la quantité d'air ou la quantité de gaz uniquement sur la conduite côté aspiration pour éviter un dépassement de la surpression de service maximale autorisée.
- Lorsque la quantité d'air ou de gaz est réduite ou régulée sur la conduite côté pression, veillez à ce que la surpression de service maximale autorisée ne soit pas dépassée sur la pompe.
- Veillez à ce que la sortie pneumatique gaz ne soit pas fermée ou rétrécie.



DANGER

Mélanges de gaz dangereux lors du fonctionnement de la pompe

Selon le fluide pompé, un composé dangereux peut se produire en cas de rupture des composants en contact avec le fluide si le fluide se combine à l'air dans le carter du compresseur ou à l'environnement.

- Avant d'utiliser un fluide, vérifiez la compatibilité des composants en contact avec le fluide (voir chapitre 4 *Caractéristiques techniques* [p. 14]).

i Les dépassements de pression et les dangers qu'ils comportent peuvent être évités en installant une conduite de dérivation avec soupape de surpression entre les côtés pression et aspiration de la pompe. Le service après-vente de KNF fournit des informations supplémentaires (contact : voir www.knf.com).

Arrêt de la pompe → Lorsque la pompe est arrêtée, rétablissez la pression atmosphérique normale dans les conduites (décharge pneumatique de la pompe).

Raccordement de la pompe

1. Retirez les bouchons de protection des raccords pneumatiques de la pompe.
2. Montez le filtre d'aspiration ou l'amortisseur de bruit (si disponible).

Fonctionnement sous vide Pour le fonctionnement sous vide, branchez le raccord pour tuyau (voir Fig. 1/5) côté aspiration et l'amortisseur de bruit (voir Fig. 1/4) ou vos composants système vide côté refoulement.

Fonctionnement sous pression Pour le fonctionnement sous pression, branchez le raccord pour tuyau côté refoulement et l'amortisseur de bruit ou vos composants système vide côté aspiration.

**REMARQUE**

La pompe est pourvue d'embouts à visser NPT autoétanchéifiants. Lorsque vous serrez les pièces accessoires, veillez à ne pas les serrer à fond pour éviter d'endommager le filetage et la pompe.

-
- | | |
|-------------------------|---|
| Composants raccordés | 3. Raccordez les conduites à l'entrée et à la sortie pneumatiques gaz. |
| Refoulement de la pompe | 4. Ne raccordez à la pompe que des composants qui sont prévus pour les caractéristiques pneumatiques (voir chapitre 4 <i>Caractéristiques techniques</i> [▶ 14]). |
| | 5. En cas d'utilisation comme pompe à vide : Sur la sortie pneumatique gaz, déviez le refoulement de la pompe de manière sécurisée. |
-

**REMARQUE**

Des rayons de tuyau trop petits peuvent nuire à la stabilité de la pompe.

**REMARQUE**

Attachez les raccords côté refoulement avec une sécurité (par ex. collier de serrage/attache pour tuyaux) pour éviter que les tuyaux ne glissent du raccord.

-
6. Branchez la fiche d'alimentation qui convient dans le bloc d'alimentation.

**REMARQUE**

La pompe doit exclusivement être utilisée avec le bloc d'alimentation protégée (SELV) fourni.

7. Branchez la pompe au bloc d'alimentation.

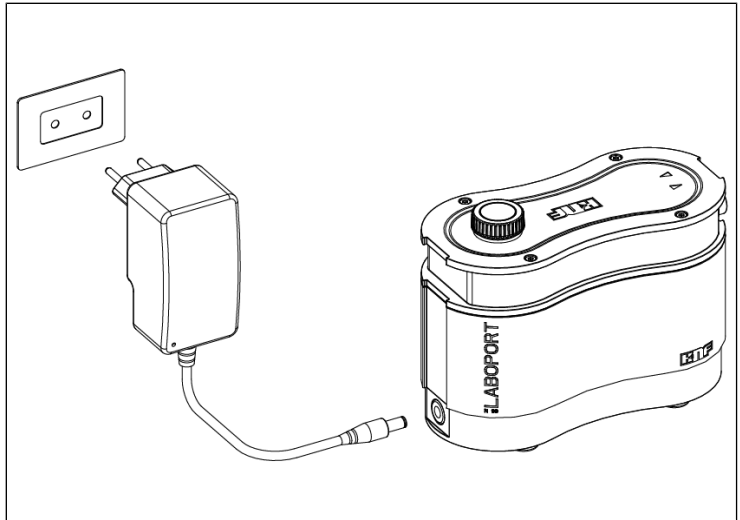


Fig. 3: Branchement de la fiche à la pompe

8. Branchez la fiche du bloc d'alimentation à une prise de courant de sécurité réglementaire.

8 Fonctionnement

8.1 Informations sur la mise en marche et arrêt de la pompe

Mise en service de la pompe

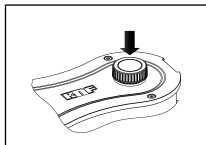


Fig.4: Mise en marche/arrêt de la pompe

- Assurez-vous que, lors de la mise en marche la pression spécifiée ou le vide spécifié (voir 4 *Caractéristiques techniques* [14]) ne soit pas dépassé dans les conduites.
- Mettez la pompe en marche en appuyant sur le bouton-poussoir/rotatif (voir Fig. 1/3, voir Fig. 4).

Réglage du débit

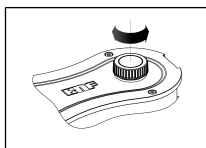


Fig.5: Réglage du débit

Le bouton-poussoir/rotatif permet de faire varier la vitesse de rotation de la pompe. Vous pouvez ainsi régler le débit (voir Fig. 5).

- Le réglage de la vitesse de rotation sur le bouton-poussoir/rotatif reste conservé après l'arrêt de la pompe.

Mise à l'arrêt/hors service de la pompe

- En cas de pompage de fluides agressifs, rincez la pompe avant l'arrêt pour prolonger la durée de vie de la membrane (voir chapitre 9 *Entretien* [29]).
- Mettez la pompe en marche/à l'arrêt à l'aide du bouton-poussoir/rotatif (voir chapitre Fig. 4).
- Rétablissez la pression atmosphérique normale dans les conduites (décharge pneumatique de la pompe, pour prolonger la durée de vie de la pompe).
- Débranchez la fiche de la pompe de la prise de courant de sécurité.





AVERTIS- SEMENT

Redémarrage spontané après une coupure d'alimentation électrique

En cas d'interruption de l'alimentation électrique, la pompe redémarre toute seule.

→ Le cas échéant, prenez les mesures de sécurité qui s'imposent.

9 Entretien



ATTENTION

Pièces sensibles aux décharges électrostatiques (DES)

Le non-respect des prescriptions de sécurité anti-statique selon la norme IEC 61340-5-1 risque d'endommager partiellement ou complètement la pompe.

- L'entretien de la pompe doit uniquement être réalisé par un personnel qualifié dans une zone exempte d'électricité statique (EPA) conformément à la directive IED 61340-5-1.



REMARQUE

Maintenance de la pompe

Le non-respect des dispositions légales et réglementaires locales applicables, ainsi que les interventions de personnel non formé ou non spécialisé, peuvent entraîner des dommages matériels sur les pompes.

- La maintenance ne doit être effectuée que dans le strict respect des dispositions légales (par exemple, la sécurité au travail, la protection de l'environnement) et réglementaires.
- La maintenance ne peut être effectuée que par des professionnels spécialisés ou formés à cet effet.

9.1 Plan d'entretien

Pièce	Intervalle d'entretien
Pompe	<ul style="list-style-type: none"> → Vérifiez régulièrement la présence de dommages externes ou de fuites. → Vérifiez régulièrement l'installation pour détecter les changements anormaux au niveau du bruit et des vibrations.
Membrane et plaques de soupapes/joints	→ Remplacez au plus tard quand le débit de la pompe diminue.

Tab. 14: Plan d'entretien

9.2 Nettoyage



REMARQUE

Lors du nettoyage, veillez à ce qu'aucun fluide ne pénètre à l'intérieur du carter.

9.2.1 Rinçage de la pompe

- Avant de l'arrêter, rincez la pompe quelques minutes à l'air dans les conditions atmosphériques (pression ambiante) pendant 5 minutes (si nécessaire pour des raisons de sécurité : avec un gaz inerte).

9.2.2 Nettoyage de la pompe

- Nettoyez la pompe uniquement avec un chiffon humide et des détergents non inflammables.
- En présence d'air comprimé, purgez les pièces.

9.3 Remplacement de la membrane et des plaques de soupapes

- Conditions requises
- Débranchez la pompe du secteur et assurez-vous qu'elle n'est pas sous tension.
 - Nettoyez la pompe et retirez les substances dangereuses de la pompe.
 - Débranchez les tuyaux pneumatiques d'entrée et de sortie de la pompe.
 - Le cas échéant, débranchez des raccords de gaz tous les éléments annexes tels que l'amortisseur de bruit, le filtre d'aspiration, etc.

Pièces de rechange/Outils

Pièces de rechange/Outils	Quantité
Set de pièces de rechange*	1
Tournevis Torx TX10 avec indicateur de couple de serrage	1

Tab. 15: Pièces de rechange/Outils

*conformément au chapitre 10 Pièces de rechange et accessoires [▶ 41]

Remarque sur la procédure

La membrane et les plaques de soupapes/joints sont les seules pièces d'usure des pompes. Ces pièces peuvent être facilement remplacées.

Par principe, les plaques de soupapes/joints et la membrane devraient être remplacés au même moment. Si la membrane n'est pas remplacée en même temps que les plaques de soupapes/joints, la puissance de consigne de la pompe n'est plus assurée même après l'entretien.

FR



AVERTIS- SEMENT

Risque pour la santé dû aux substances dangereuses dans la pompe

Selon le fluide pompé, des brûlures ou des empoisonnements sont possibles.

- Si besoin est, portez un équipement de protection individuelle, par ex. gants de protection, lunettes de protection.
- Nettoyez la pompe avec des moyens appropriés.



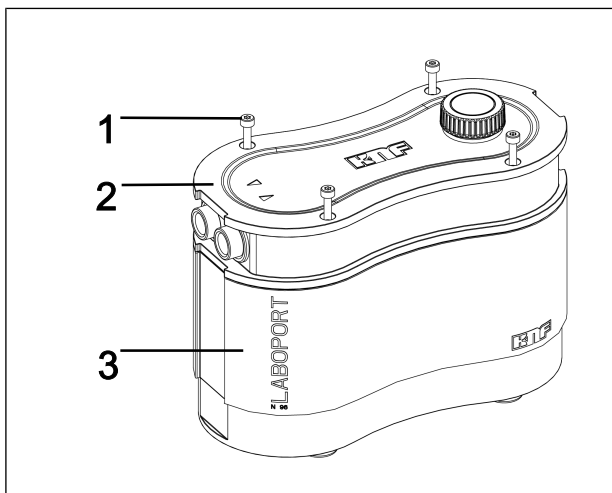
ATTENTION

Brûlures dues à des pièces de pompe chaudes

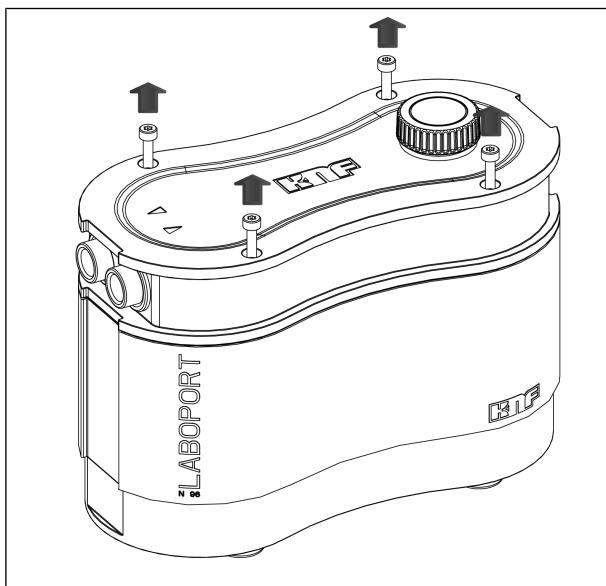
La tête de pompe ou le moteur peuvent être encore chauds après le fonctionnement.

- Laissez refroidir la pompe après le fonctionnement.

Le remplacement de la membrane et des plaques de soupapes/joints doit se faire dans l'ordre suivant :

a.) Ouverture du carter de la pompe*Fig.6: Ouverture du carter*

1. Desserrez les quatre vis de carter (Fig. 6/1) et retirez les vis du couvercle du carter de la pompe (2) (voir Fig. 7). Conservez les vis pour le remontage ultérieur.

*Fig.7: Desserrage des vis de carter*



REMARQUE

Veillez à réaliser les étapes suivantes dans une zone exempte d'électricité statique (EPA).

2. Faites glisser le couvercle du carter (2) sur les raccords de gaz (voir Fig. 8).

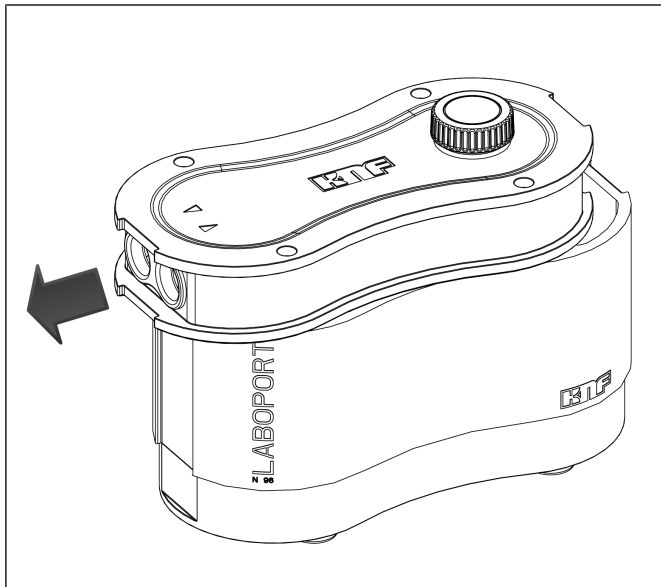


Fig.8: Poussez le couvercle du carter au-dessus des raccords de gaz (ouvrir la pompe)

3. Enlevez prudemment le couvercle du carter (2) et déposez-le à côté du carter de la pompe (3) (voir Fig. 9).
- i** En enlevant le couvercle du carter (2), veillez à ce qu'aucun effort de traction trop important ne s'exerce sur les câbles resp. que les câbles ne soient pas endommagés

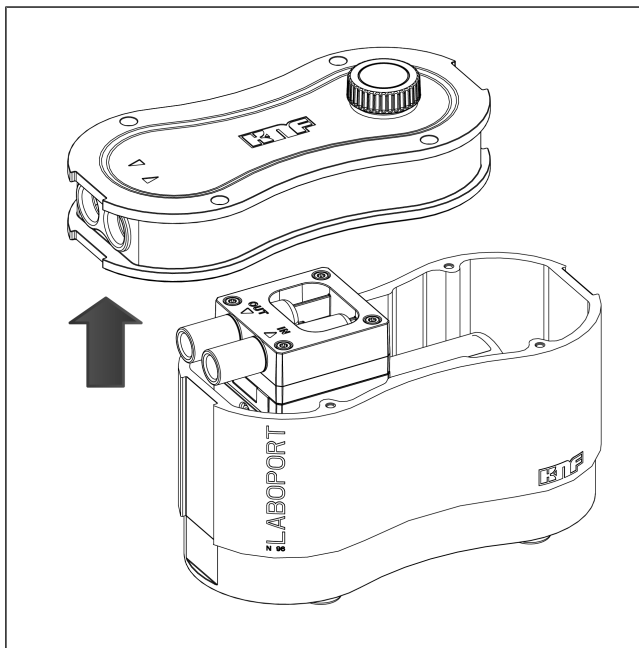


Fig.9: Retrait du couvercle du carter

Les numéros de position dans les instructions de travail suivantes se réfèrent à la Fig. 10.

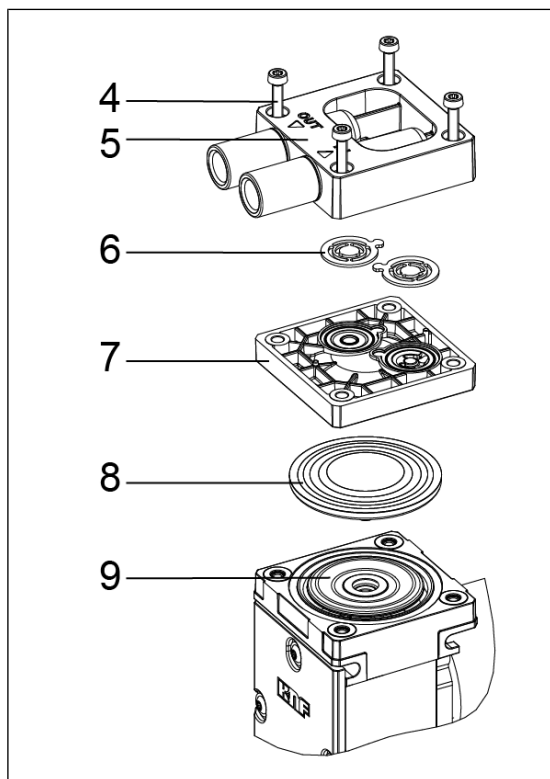


Fig.10: Vue éclatée

b.) Démontage de la tête de pompe

→ Desserrez les quatre vis de couvercle du carter (4) et enlevez le couvercle de la tête (5) avec la plaque intermédiaire (7) du carter de la pompe.

c.) Remplacement de la membrane

1. Soulevez la membrane (8) sur les bords latéraux opposés. Saisissez ensuite la membrane (8) et mettez la membrane (8) au point mort haut. Puis dévissez la membrane (8) dans le sens inverse des aiguilles d'une montre.
2. Vérifiez l'absence de salissures sur toutes les pièces et nettoyez les pièces si nécessaire (voir le chapitre 9.2 *Nettoyage* [► 30] à ce sujet).

3. Vissez la nouvelle membrane (8) sur la bielle (9) (dans le sens des aiguilles d'une montre) et serrez la membrane (8) à la main.

i Lors du vissage de la membrane (8), veillez à ne pas trop serrer.
Si la membrane est excessivement serrée, il y a risque de l'endommager.

d.) Remplacement de la plaque de soupapes

1. Séparez le couvercle (5) de la plaque intermédiaire (7).
2. Retirez les plaques de soupapes/joints (6) du couvercle de la tête (5).
3. Vérifiez la propreté des sièges de soupape, de la plaque intermédiaire (7) et du couvercle de la tête (5) ; ces pièces doivent être remplacées en cas de déformations, d'éraflures et de corrosion (contactez le service après-vente de KNF à ce sujet).

i Placez les nouvelles plaques de soupapes/joints (6) dans les sièges de soupape de la plaque intermédiaire (7) ; les plaques de soupapes/joints (6) des côtés pression et aspiration sont identiques ; il en va de même pour les parties supérieure et inférieure des plaques de soupapes/joints (6).

4. Vérifiez que les plaques de soupapes/joints (6) ne sont pas déformés en exerçant de légers mouvements horizontaux.
5. Vérifiez que les plaques de soupapes/joints (6) sont centrés dans les sièges de soupape de la plaque intermédiaire (7).
6. Éliminez la membrane et les plaques de soupapes/joints remplacés comme il se doit.

e.) Montage de la tête de pompe

1. Placez la plaque intermédiaire (7) avec les plaques de soupapes/joints (6) sur le carter.

2. Placez le couvercle de la tête (5) sur la plaque intermédiaire (7) en fonction du marquage de centrage.
- i** Placez la tête de pompe suivant l'orientation des raccords de gaz sur le carter du compresseur.
3. Serrez les vis (4) en croix (couple de serrage : 190 à 200 Ncm).

f.) Fermeture du carter de la pompe

1. Remettez prudemment le couvercle du carter (Fig. 6/2) sur le carter de la pompe (3) (voir Fig. 11).
- i** Ce faisant, vérifiez que les câbles se trouvent à l'intérieur du carter de la pompe (3) et que la platine n'est pas endommagée.

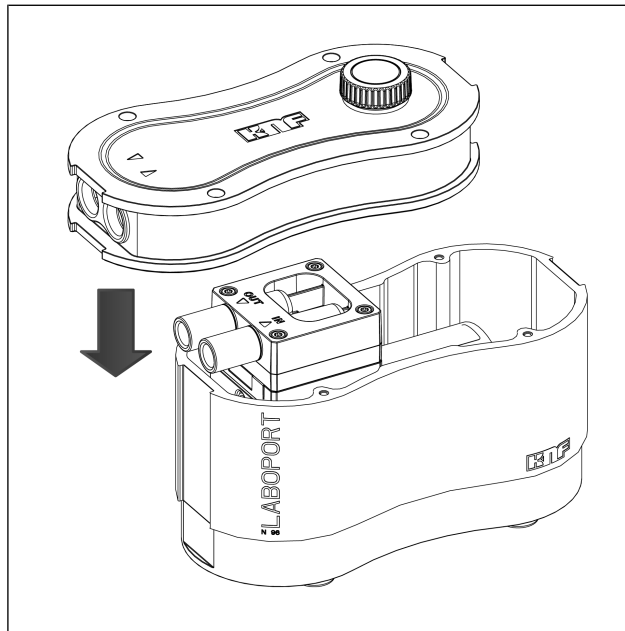


Fig. 11: Mise en place du couvercle du carter

2. Faites glisser le couvercle du carter (2) sur les raccords de gaz jusqu'à ce que la géométrie du couvercle du carter (2) coïncide avec celle du carter de la pompe (3) (voir Fig. 12).

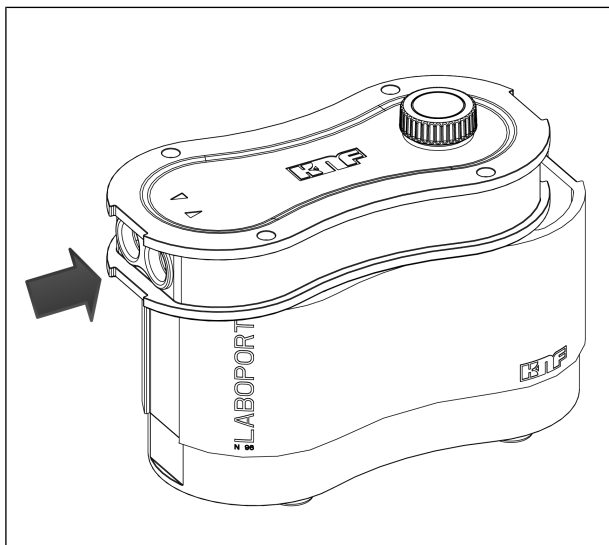


Fig.12: Glissement du couvercle du carter sur les raccords de gaz (fermer la pompe)

3. Resserrez les quatre vis de carter (1) en croix (couple de serrage : 190 à 200 Ncm) (voir Fig. 13).

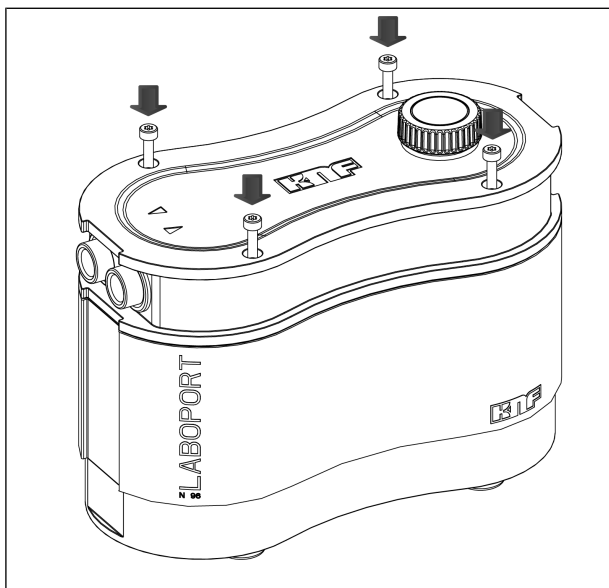


Fig.13: Serrage des vis du carter

g.) Étapes finales



AVERTIS- SEMENT

Risque de blessures et d'empoisonnement dû à des fuites

- Avant la remise en service de la pompe, vérifiez l'étanchéité des têtes de pompe et des raccords pneumatiques. Des fuites peuvent entraîner des empoisonnements, des brûlures ou des blessures semblables.

-
1. Le cas échéant, rebranchez tous les éléments annexes tels que l'amortisseur de bruit, le filtre d'aspiration, etc. aux raccords de gaz.
 2. Procédez à un contrôle de fonctionnement.
 - Raccordez les raccords de gaz à la pompe.
 - Branchez la pompe à l'alimentation électrique.
 - Contrôlez le bon fonctionnement de la pompe (entre autres le vide limite).
 - Débranchez à nouveau la pompe électriquement et pneumatiquement.
 3. Installez la pompe conformément à la section 7 *Mise en service* [► 20] sur le lieu d'utilisation souhaité.
 - Raccordez les raccords de gaz à la pompe.
 - Branchez la pompe à l'alimentation électrique.
 - Contrôlez le bon fonctionnement de la pompe (entre autres le vide limite).

Si vous avez des questions relatives à l'entretien, adressez-vous à votre conseiller du service après-vente de KNF local (contact : voir www.knf.com).

10 Pièces de rechange et accessoires

i Pour toute commande de pièces de rechange et d'accessoires, veuillez vous adresser à votre représentant KNF local ou au service après-vente de KNF (contact : voir www.knf.com).

10.1 Pièces de rechange

Set de pièces de rechange

Un set de pièce de rechange se compose de :

Set de pièces de rechange

Set de pièces de rechange	Référence
Laboport N96	322636

Tab. 16: Set de pièces de rechange

Un set de pièce de rechange se compose de :

Pièces	Quantité
Membrane	1
Plaques de soupapes/ joints	2

Tab. 17: Pièces de rechange

Autres pièces de rechange	Référence
Set de bloc d'alimentation	323457
Set amortisseur de bruit et raccord pour tuyau ID6, PP	323456

Tab. 18: Autres pièces de rechange

10.2 Accessoires

Accessoires	Référence
Support statif	323484

Tab. 19: Accessoires

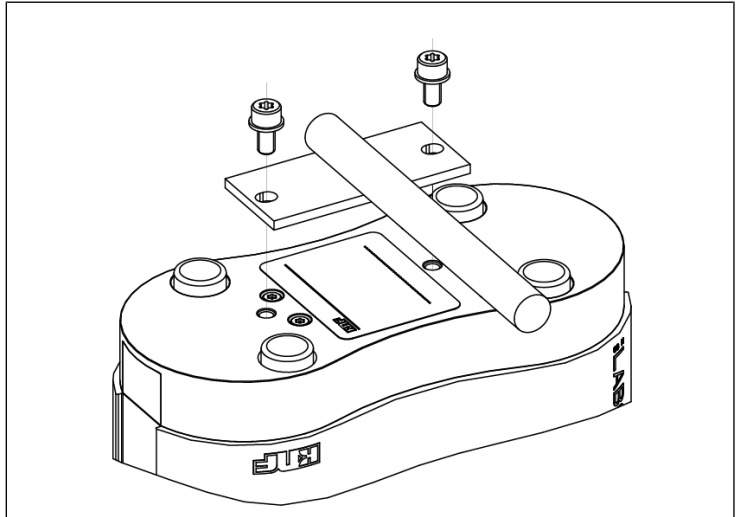


Fig. 14: Pompe avec support statif

11 Dépannage



Danger de mort dû à l'électrocution

- Ne faites réaliser tous les travaux sur la pompe que par un spécialiste agréé.
- Avant de travailler sur la pompe : Débranchez la pompe de l'alimentation électrique.
- Vérifiez et assurez-vous que la pompe n'est pas sous tension.

FR

→ Vérifiez la pompe (voir tableaux suivants).

La pompe ne refoule pas	
Cause	Remède
Aucune tension dans le réseau électrique.	→ Vérifiez le fusible de la pièce et si nécessaire enclemez-le.
La protection contre la surchauffe de la pompe a réagi	<ul style="list-style-type: none"> → Débranchez la pompe du réseau électrique. → Laissez la pompe refroidir. → Recherchez la cause de la surchauffe et remédiez-y.
Les raccordements ou les conduites sont bloqués.	<ul style="list-style-type: none"> → Vérifiez les raccordements et les conduites. → Enlevez le blocage.
Une soupape externe est fermée ou le filtre est bouché.	→ Vérifiez les soupapes et filtres externes.
Du condensat s'est accumulé dans la tête de pompe.	<ul style="list-style-type: none"> → Débranchez la source de condensat de la pompe. → Rincez la pompe quelques minutes à l'air à la pression atmosphérique (si nécessaire pour des raisons de sécurité : avec un gaz inerte).
La membrane et les plaques de soupapes/joints sont usés.	→ Remplacez la membrane et les plaques de soupapes/joints (voir chapitre 9.3 <i>Remplacement de la membrane et des plaques de soupapes</i> [▶ 31]).

Tab.20: Dépannage : La pompe ne refoule pas

Débit, pression ou vide trop faible	
La pompe n'atteint pas la puissance indiquée dans les caractéristiques techniques ou dans la fiche technique.	
Cause	Dépannage
Du condensat s'est accumulé dans la tête de pompe.	<ul style="list-style-type: none"> → Débranchez la source de condensat de la pompe. → Rincez la pompe quelques minutes à l'air à la pression atmosphérique (si nécessaire pour des raisons de sécurité : avec un gaz inerte). → Si existante, ouvrez la vanne de lest de gaz et rincez la tête de pompe.
Côté refoulement, présence de surpression et côté aspiration, présence simultanée de vide ou d'une pression au-dessus de l'atmosphère.	<ul style="list-style-type: none"> → Modifiez les conditions pneumatiques.
Les conduites pneumatiques ou les raccords ont une section trop petite ou sont réduits.	<ul style="list-style-type: none"> → Débranchez la pompe du système pour déterminer les valeurs de puissance. → Si nécessaire, supprimez l'étranglement (par ex. soupape). → Si nécessaire, utilisez des conduites ou des raccords avec une section plus grande.
Des fuites apparaissent sur les raccords, conduites ou tête de pompe.	<ul style="list-style-type: none"> → Vérifiez que les tuyaux sont bien en place sur les embouts cannelés. → Assurez-vous que les raccords sont correctement montés. → Remplacez tout tuyau qui n'est pas étanche. → Éliminez les fuites.
Les raccordements ou les conduites sont entièrement ou partiellement bouchés.	<ul style="list-style-type: none"> → Vérifiez les raccordements et les conduites. → Retirez les pièces et particules qui bouchent.
Les têtes sont encrassées.	<ul style="list-style-type: none"> → Nettoyez les éléments de la tête.

Débit, pression ou vide trop faible	
La pompe n'atteint pas la puissance indiquée dans les caractéristiques techniques ou dans la fiche technique.	
Cause	Dépannage
La membrane et les plaques de soupapes/joints sont usés.	→ Remplacez la membrane et les plaques de soupapes/joints (voir chapitre 9.3 <i>Remplacement de la membrane et des plaques de soupapes</i> [▶ 31]).
Membrane et plaques de soupapes/joints remplacés.	→ Vérifiez l'étanchéité des tuyaux. → Éventuellement, serrez en croix les vis extérieures de la plaque de pression.
Le bouton-poussoir/rotatif n'est pas réglé sur la vitesse de rotation maximale.	→ Réglez le bouton-poussoir/rotatif sur la vitesse de rotation maximale.

Tab.21: Dépannage : Débit, pression ou vide trop faible

12 Renvoi

Préparation du renvoi

1. Rincez la pompe quelques minutes à l'air (si nécessaire pour des raisons de sécurité : avec un gaz inerte) à la pression atmosphérique pour éliminer les gaz dangereux ou agressifs de la tête de pompe (voir chapitre 9.2.1 *Rinçage de la pompe* [► 30]).

i Veuillez contacter votre distributeur local KNF si la pompe ne peut pas être rincée car elle est endommagée.

2. Démontez la pompe.
3. Nettoyez la pompe (voir chapitre 9.2.2 *Nettoyage de la pompe* [► 30]).
4. Envoyez la pompe à KNF avec la déclaration d'innocuité et de décontamination dûment remplie en indiquant le fluide pompé.
5. Emballez l'appareil en toute sécurité pour éviter tout endommagement supplémentaire du produit. Si nécessaire, demandez et achetez un emballage d'origine.

Renvoi

KNF s'engage à réparer la pompe uniquement à condition que le client fournisse une attestation relative au fluide pompé et au nettoyage de la pompe. Il est également possible de renvoyer les appareils usagés dans le cadre de la collecte des DEEE. À cet effet, veuillez suivre les instructions sur knf.com/repairs.

Veuillez contacter directement votre distributeur local KNF si vous avez besoin d'une assistance supplémentaire pour votre service de retour.

13 Index

A	
Accessoires	42
Admission	16
Amortisseur de bruit	3, 16, 24
Application sous pression.....	24
Arrêt de la pompe	24
Avertissement.....	5
B	
Bielle.....	17
Bloc d'alimentation	3, 26
Branchement du bloc d'alimenta- tion	25
Fiche d'alimentation.....	3, 25
C	
Caractéristiques électriques	14
Caractéristiques pneumatiques	14
Carter de la pompe	35
Chambre de compression	17
Clapet d'aspiration.....	17
Clapet de refoulement	17
Conditions de service	10
Couvercle de la tête	36
Couvercle du carter	33
D	
Débit	27
Réglage du débit	27
Débit de refoulement	14
Dimensions.....	15
Directives.....	11
E	
Élimination	12
Emballage	3
Entretien	29
Excentrique.....	17
F	
Fiche	27
Fluides	10
Fluides combustibles	11
Fluides dangereux	10
Fonctionnement sous pression.....	24
Fonctionnement sous vide.....	24
G	
Groupe ciblé	8
H	
Hauteur de montage maximale.....	15
L	
Laboport ® N96	3
Lieu d'utilisation	20
M	
maintenance	12
Matériaux	14
Matériel fourni	3
Membrane.....	17, 36
Mise en marche	27
Mise en service.....	22
Conditions d'exploitation.....	21
Montage.....	20
N	
Nettoyage	30
Normes	12

O	
Outils	31
P	
Paramètres	
Paramètres de fonctionnement .	9
Paramètres de service	22
Paramètres de stockage	19
Paramètres de transport.....	19
Paramètres de démarrage	15
Performances pneumatiques	14
Personnel	8
Personnel qualifié	12
Pièce de rechange	31
Pièces de rechange.....	41
Set de pièce de rechange	41
pièces d'origine.....	12
Pièces sensibles aux décharges	
électrostatiques	29
Plaque de soupapes.....	37
Plaque intermédiaire	36
Poids	15
Prévention des accidents	9
Protection de l'environnement	12
Puissance électrique	14
R	
Raccord de gaz	14
Raccord pour tuyau	3, 16
Raccordement	9
Refoulement	16
Refoulement de la pompe	25
Règlements	11
Remède	43
Remplacement des pièces d'usure	
.....	31
Réparations	12
Responsabilité de l'exploitant	9
S	
Sans entretien.....	12
Sécurité au travail	9
Service après-vente.....	12
Support statif.....	42
Suppression de service	14
T	
Température	
Température ambiante	15
Température de fluide	15
Température de fonctionnement	
.....	15
Température de stockage.....	19
Température de transport.....	19
Transport	18
Type de protection de la pompe ...	15
V	
Vide limite	14
Vis de carter.....	33
Vis de couvercle du carter	36

KNF Neuberger GmbH
Alter Weg 3
D-79112 Freiburg
Allemagne
Tél. +49 (0) 7664/5909-0

E-mail : in-
fo.de@knf.com
www.knf.com

KNF dans le monde entier

Vous trouverez nos partenaires KNF ici : www.knf.com



Lab

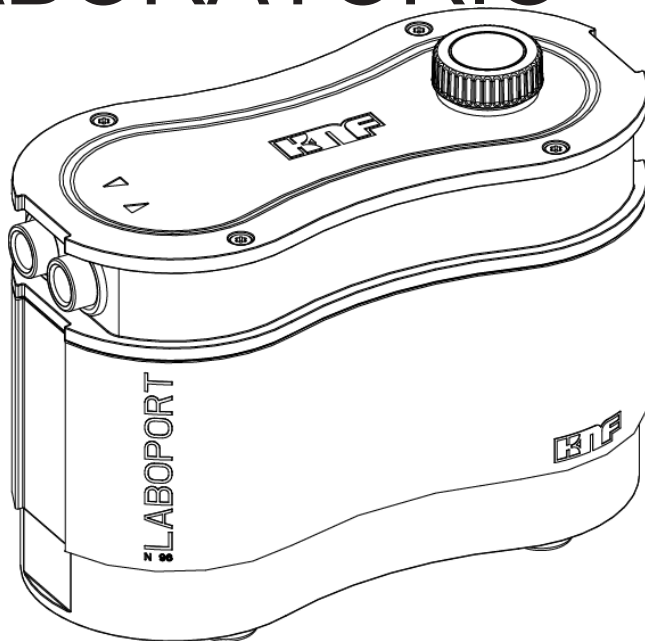
Laboport® N96

TRADUCCIÓN DEL MANUAL DE
INSTRUCCIONES ORIGINAL
ESPAÑOL

LABOPORT®

BOMBAS DE LABORATORIO

ES



Indicación

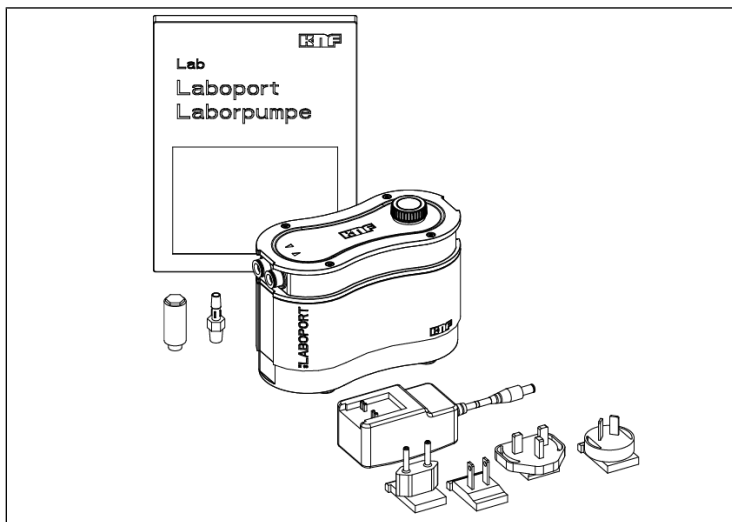
Antes de utilizar la bomba y los accesorios, leer las instrucciones de montaje y servicio y observar las indicaciones de seguridad.

Índice

1	Volumen de suministro.....	3
2	Sobre este documento.....	4
2.1	Uso de las instrucciones de servicio.....	4
2.2	Exención de responsabilidad.....	4
2.3	Documentos aplicables.....	5
2.4	Símbolos e identificaciones.....	5
3	Seguridad.....	8
3.1	Personal y grupo destinatario.....	8
3.2	Responsabilidad de la empresa explotadora.....	9
3.3	Trabajar de forma segura.....	9
3.4	Condiciones de servicio.....	10
3.5	Sustancias.....	10
3.6	Directivas y normas.....	11
3.7	Servicio de atención al cliente y reparación.....	12
3.8	Eliminación.....	12
4	Datos técnicos.....	14
5	Descripción del producto y funcionamiento.....	16
6	Transporte.....	18
	Aspectos generales.....	18
7	Puesta en marcha.....	20
7.1	Preparación de la puesta en marcha.....	21
7.2	Realización de la puesta en marcha.....	21
8	Funcionamiento.....	27
8.1	Información sobre la conexión y desconexión de la bomba.....	27
9	Mantenimiento.....	29
9.1	Plan de mantenimiento.....	30
9.2	Limpieza.....	30
9.3	Sustitución de la membrana y las placas de válvula.....	31
10	Piezas de recambio y accesorios.....	41
10.1	Piezas de recambio.....	41
10.2	Accesorios.....	42
11	Solución de anomalías.....	43
12	Devolución.....	47
13	Índice de palabras clave.....	48

1 Volumen de suministro

- Laboport ® N96
- Fuente de alimentación con enchufe (UE, EE. UU., Reino Unido, Australia)
- Racor con rosca NPT ID6
- Atenuador de ruidos
- Instrucciones de servicio
- QuickStart



Desembalaje de la bomba

1. Tras el desembalaje, comprobar si se han producido daños de transporte en la bomba o los accesorios.
2. Si el embalaje ha sufrido daños, informar al transportista responsable para que elabore un informe de daños. Puede consultar más información en el capítulo 6 *Transporte* [▶ 18].

2 Sobre este documento

2.1 Uso de las instrucciones de servicio

Las instrucciones de servicio forman parte de la bomba.

- Consultar con el fabricante en caso de dudas sobre el contenido de estas instrucciones de servicio (datos de contacto: ver www.knf.com). Tener a mano el modelo y el número de serie de la bomba.
- Leer las instrucciones de servicio antes de poner en marcha la bomba.
- Entregar las instrucciones de servicio íntegras y sin modificaciones al siguiente propietario.
- Tener siempre a mano las instrucciones de servicio.

Bombas de proyecto

En el caso de bombas específicas del cliente con número de proyecto propio (modelos de bombas que comienzan con «PJ» o «PM») puede haber divergencias en las instrucciones de servicio y montaje.

- Tener en cuenta las especificaciones adicionales acordadas para este tipo de bombas.

2.2 Exención de responsabilidad

El fabricante no asume responsabilidad alguna por los daños o anomalías derivados del incumplimiento de las instrucciones de servicio.

El fabricante no asume responsabilidad alguna por los daños o anomalías derivados de los cambios o modificaciones en el equipo o de su manipulación incorrecta.

El fabricante no asume responsabilidad alguna por los daños o anomalías derivados de la utilización de piezas de recambio y accesorios no admisibles.

2.3 Documentos aplicables

La siguiente lista de documentos también debe tenerse en cuenta. Las versiones en vigor están disponibles en www.knf.com/Downloads.

- Ficha técnica
- Modelo 3D

También deben tenerse en cuenta:

- Términos y condiciones aplicables localmente
- Documentación de la venta y acuerdo entre KNF y el cliente.

ES

2.4 Símbolos e identificaciones

Advertencia



Aquí figura una indicación que le advierte de un peligro.

Aquí figuran las posibles consecuencias derivadas de ignorar la advertencia. La palabra, p. ej. de "advertencia", indica el nivel de peligro.

- Estas son algunas medidas para evitar el peligro y sus consecuencias.
-

Niveles de peligro

Palabra	Significado	Consecuencias si se ignora
PELIGRO	Advierte de un peligro inminente	La consecuencia son daños materiales graves o lesiones graves o muerte.
ADVERTENCIA	Advierte de un posible peligro inminente	La consecuencia podrían ser daños materiales graves o lesiones graves o muerte.
PRECAUCIÓN	Advierte de una posible situación peligrosa	Pueden producirse lesiones o daños materiales leves.
INDICACIÓN	Advierte de posibles daños materiales	Pueden producirse daños materiales.

Tab. 1: Niveles de peligro

Otras indicaciones y símbolos

→ Aquí figura una actividad que debe realizarse (un paso).

1. Este es el primer paso de una actividad que debe realizarse.
Después aparece el resto de los pasos numerados consecutivamente.

i Este signo hace referencia a información importante.

Significado de los pictogramas

Pictograma	Significado
	Símbolo de advertencia general
	Advertencia de superficies calientes
	Advertencia de tensión eléctrica
	Advertencia de sustancias tóxicas
	Advertencia de lesiones en las manos por aplastamiento
	Área de protección electrostática
	Tener en cuenta las instrucciones de servicio
	Símbolo de obligación general
	Desenchufar de la red
	Utilizar protección para los pies
	Utilizar protección para las manos
	Directiva de Residuos de Aparatos Eléctricos y Electrónicos (RAEE) Símbolo para la recogida independiente de aparatos eléctricos y electrónicos. El uso de este símbolo significa que este producto no debe eliminarse con los residuos domésticos habituales.
	Reciclaje

Tab.2: Significado de los pictogramas

3 Seguridad

i Observar las indicaciones de seguridad de los capítulos 7 *Puesta en marcha* [▶ 20] y 8 *Funcionamiento* [▶ 27].

3.1 Personal y grupo destinatario

Personal Asegurarse de que en las bombas trabaje solo personal especializado formado e instruido. Esto se aplica especialmente a los trabajos de puesta en marcha y mantenimiento.

Asegurarse de que el personal haya leído atentamente las instrucciones de servicio, especialmente el capítulo sobre seguridad.

Grupo destinatario

Grupo destinatario	Definición
Usuario	Personal de laboratorio
Personal especializado	Personal especializado hace referencia a una persona que - dispone de una formación profesional especializada en el ámbito que se trata en el párrafo correspondiente; - dispone de conocimientos actuales en el ámbito que se trata en el párrafo correspondiente.

Tab.3: Grupo destinatario

Matriz quién hace qué

Fase de vida	Usuario	Personal especializado
Transporte		X
Instalación	X	X
Preparación de la puesta en marcha	X	X
Puesta en marcha	X	X
Funcionamiento	X	X
Mantenimiento		X
Solución		X
Eliminación		X

Tab.4: Matriz quién hace qué

3.2 Responsabilidad de la empresa explotadora

Las bombas están construidas de acuerdo con las reglas de tecnología generalmente reconocidas y las normas de seguridad laboral y prevención de accidentes. Sin embargo, pueden surgir peligros durante su uso, que pueden provocar lesiones al usuario o a terceros o daños en la bomba u otros bienes materiales.

Asegurarse de que no se produzca ninguna situación de peligro, lesiones personales o deterioro de la bomba.

Parámetros de servicio

Utilizar y configurar la bomba únicamente con los parámetros de servicio y las condiciones de servicio que se describen en los capítulos 3.4 *Condiciones de servicio* [► 10] y 4 *Datos técnicos* [► 14].

ES

3.3 Trabajar de forma segura

Para todos los trabajos con las bombas y durante el funcionamiento, observar las normas de seguridad y prevención de accidentes.

Evitar el contacto con los cabezales de la bomba y con partes de la carcasa, ya que la bomba se calienta durante el funcionamiento.

Para realizar trabajos con la bomba, asegurarse de que la bomba esté desconectada de la red eléctrica y sin tensión.

Para realizar la conexión de la bomba a la red eléctrica, observar las reglas de seguridad pertinentes.

No exponer ninguna parte del cuerpo al vacío.

Asegurarse de que no se produzcan peligros por el flujo con las conexiones de gas abiertas, exposición al ruido o gases calientes, corrosivos, peligrosos y nocivos para el medio ambiente.

Asegurarse de que la instalación de la bomba cumple con los requisitos de compatibilidad electromagnética en todo momento y de que no pueda producirse ninguna situación peligrosa.

Evitar la emisión de gases o vapores peligrosos, tóxicos, explosivos, corrosivos, nocivos para la salud o para el medio ambiente p. ej. empleando dispositivos de laboratorio adecuados con sistema de extracción y control de la ventilación.

3.4 Condiciones de servicio

Utilizar las bombas solo cuando estén en perfectas condiciones técnicas y para el fin previsto, con conciencia de la seguridad y los peligros, y observando las instrucciones de servicio.

Las bombas solamente pueden funcionar si están completamente montadas y en el estado de entrega.

Asegurarse de que el lugar de instalación esté seco y que la bomba esté protegida contra la lluvia, salpicaduras y goteo de agua y otros contaminantes.

Comprobar periódicamente la estanqueidad de las uniones entre las tuberías de la aplicación y la bomba (o el circuito de la bomba). Las uniones no estancas implican el riesgo de liberación de gases y vapores peligrosos del sistema de la bomba.

Los componentes que se vayan a conectar a las bombas deben estar diseñados según los datos neumáticos de las bombas.

3.5 Sustancias

Requisitos de las sustancias bombeadas

Antes de bombear una sustancia, comprobar si la sustancia se puede bombear de forma segura en la aplicación específica.

Tener en cuenta aquí también un posible cambio del estado agregación (condensación, cristalización).

Antes de utilizar una sustancia, comprobar la compatibilidad de los componentes que estarán en contacto con ella (ver 4 *Datos técnicos* [► 14]).

Bombear únicamente gases que permanezcan estables bajo las presiones y temperaturas que se dan en la bomba.

Manipulación de sustancias peligrosas

En caso de rotura de la membrana y/o falta de estanqueidad, la sustancia bombeada se mezcla con el aire del exterior o de la carcasa del sistema de vacío. Asegurarse de que esto no implique una situación de peligro.

Al bombear sustancias peligrosas hay que tener en cuenta las normas de seguridad relativas a la manipulación de estas sustancias.

- Manipulación de sustancias inflamables**
- Tener en cuenta que la bomba no dispone de protección contra explosiones.
 - Asegurarse de que la temperatura de la sustancia esté siempre por debajo de su temperatura de ignición con un margen suficiente para evitar la ignición o explosión. Esto se aplica también a situaciones extraordinarias de funcionamiento.
 - Tener en cuenta que la temperatura de la sustancia aumenta cuando la bomba comprime la sustancia.
 - Por este motivo, asegurarse de que la temperatura de la sustancia esté por debajo de su temperatura de ignición con un margen suficiente, incluso cuando se comprime con la presión de trabajo máxima admisible del sistema de vacío. La presión de trabajo máxima admisible del sistema de vacío se indica en el capítulo 4 *Datos técnicos* [▶ 14].
 - Asegurarse de no exceder la temperatura ambiente admisible (ver 4 *Datos técnicos* [▶ 14]).
 - Tener en cuenta las fuentes de energía externas (por ejemplo, fuentes de radiación) que puedan calentar adicionalmente la sustancia.
 - En caso de duda, consultar con el servicio de atención al cliente de KNF.

3.6 Directivas y normas

Directivas/
normas
UE/CE



- Las bombas son conformes a las directivas/reglamentos:
- 2011/65/UE (RoHS)
 - 2014/30/UE (CEM)
 - 2006/42/CE (Directiva de máquinas)
 - UK Regulation S.I. 2008/1597 Supply of Machinery (Safety)
 - UK Regulation S.I. 2016/1091 Electromagnetic Compatibility
 - UK Regulation S.I. 2012/3032 Restriction of the Use of Certain Hazardous Substances in Electrical and Electronic Equipment

Se cumplen las siguientes normas armonizadas/designadas:

- EN 1012-2

- EN ISO 12100
- EN 61010-1
- EN 61326-1
- EN IEC 63000



TÜV comprueba las bombas de acuerdo con:

- UL 61010-1
- CAN/CSA-C22.2 N.º 61010-1

Certificado: N.º U8 045055 0021 Rev. 00

3.7 Servicio de atención al cliente y reparación

Servicio de atención al cliente y reparaciones

Las bombas son libres de mantenimiento. Sin embargo, KNF recomienda revisar las bombas periódicamente para detectar cambios notables en los ruidos y las vibraciones.

Encargar las reparaciones de las bombas únicamente al servicio de atención al cliente de KNF.

La carcasa con piezas conductoras de tensión solamente puede ser abierta por personal especializado .

Al realizar trabajos de mantenimiento utilizar solamente piezas originales de KNF.

3.8 Eliminación

Protección medioambiental/ RAEE (Directiva de Residuos de Aparatos Eléctricos y Electrónicos)

Almacenar la bomba y todos los repuestos de acuerdo con las normas medioambientales. Observar la normativa legal nacional e internacional. Esto se aplica especialmente a las piezas contaminadas con sustancias tóxicas.



Eliminar el material de embalaje que ya no se necesite (p. ej. para una devolución u otro transporte del sistema de vacío) de forma respetuosa con el medio ambiente.



Este producto está etiquetado de acuerdo con la Directiva de Residuos de Aparatos Eléctricos y Electrónicos (RAEE) de la UE. Los residuos de aparatos no deben desecharse con la basura doméstica. La eliminación y el reciclaje adecuados ayudan a proteger los recursos naturales y el medio ambiente.

te. El usuario final está obligado a deshacerse de los residuos de aparatos de acuerdo con las normas nacionales e internacionales. Alternativamente, los productos KNF (residuos de aparatos) también pueden devolverse a través de KNF con coste adicional (véase el capítulo Devolución).

4 Datos técnicos

Datos técnicos

Materiales de la bomba

Módulo	Material
Cabezal	PPS
Membrana	Revestimiento de PTFE
Válvulas	FPM

Tab.5: Materiales de la bomba

Características neumáticas

Parámetro	Valor
Presión de trabajo máx. admisible[bar rel*]	2,5
Vacío final[mbar abs.]	< 130
Capacidad de bombeocon presión atm. [l/min]**	1,5 -7,0 ± 10%

Tab.6: Características neumáticas

*bar rel. referidos a 1013 hPa

**Litros en condiciones normales (1013 hPa, 20 °C)

Conexiones neumáticas

Tipo de bomba	Valor
Laboport N96	NPT 1/8

Tab.7: Conexiones neumáticas

Datos eléctricos

Bomba

Parámetro	Valor
Tensión [V]	24 CC
Potencia P [W]	19
Oscilaciones máximas admisibles de la tensión de red	± 10%
Consumo de corriente [A]	0,9

Tab.8: Datos eléctricos de la bomba

Fuente de alimentación

Parámetro	Valor
Tensión [V]	100-240 CA
Frecuencia [Hz]	50/60
Consumo de corriente [A]	0,7 A / 100 V CA 0,4 A / 230 V CA

Tab.9: Datos eléctricos de la fuente de alimentación

Peso

Tipo de bomba	Valor [kg]
Laboport N96	1,3

Tab.10: Peso

Otros parámetros

Parámetro	Valor
Temperatura ambiente admisible[°C]	De +5 a +40
Temperatura admisible de la sustancia[°C]	De +5 a +40
Medidas [long. x alt. x anch.] [mm]	156 x 119 x 75
Humedad relativa máxima admisible del ambiente	80 % para temperaturas hasta 31 °C. Disminución de forma lineal hasta 50 % a 40 °C (sin condensación).
Altura máxima de instalación [m s.n.m.]	2000
Grado de protección de la bomba	IP40
Arranque	
- Vacío [mbar abs.]	< 130
- Presión [bar rel*]	2,5

Tab.11:

*bar rel. referidos a 1013 hPa

5 Descripción del producto y funcionamiento

- 1 Salida
- 2 Entrada
- 3 Botón giratorio/
pulsador
- 4 Amortiguador
de ruidos
- 5 Boquilla

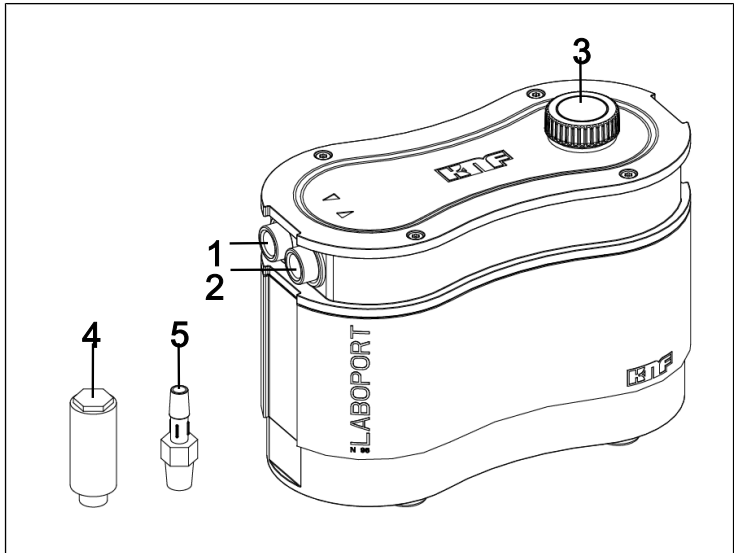


Fig.1: Laboport N96

El botón giratorio/pulsador (3) sirve para conectar y desconectar la bomba. También sirve para regular el caudal (ver 8.1 *Información sobre la conexión y desconexión de la bomba* [► 27]).

El alojamiento de la bomba cuenta con aislamiento de vibraciones; por este motivo, es posible un ligero movimiento de la entrada (2) y la salida (1) con respecto al resto de la carcasa.

Funcionamiento de la bomba de membrana

- 1 Válvula de escape
- 2 Válvula de admisión
- 3 Cámara de trasiego
- 4 Membrana
- 5 Excéntrica
- 6 Biela

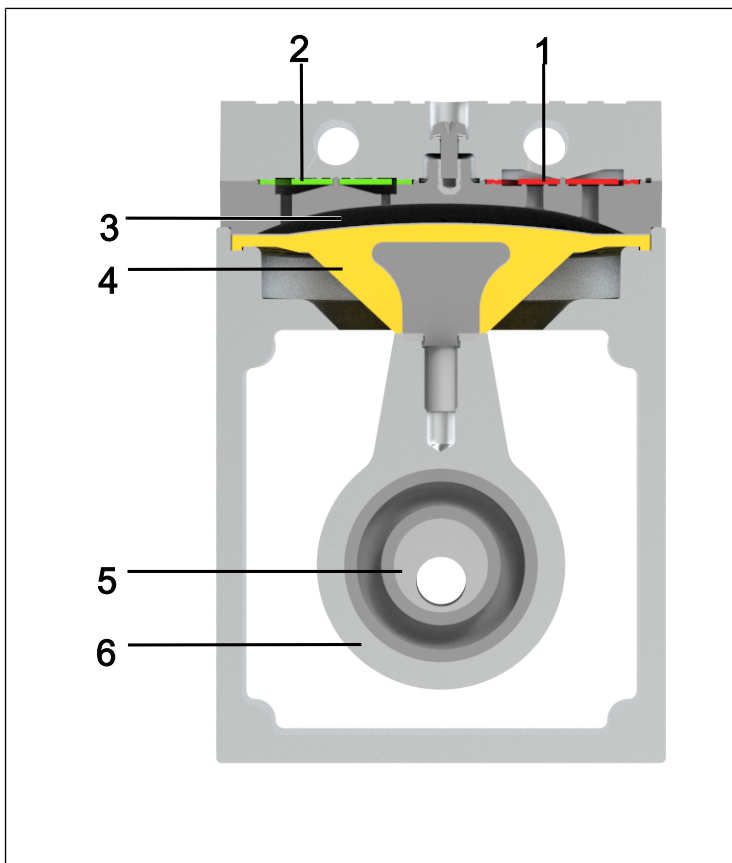


Fig.2: Funcionamiento de la bomba de membrana

Las bombas de membrana sirven para bombear, comprimir (según el modelo) y evacuar gases y vapores.

La excéntrica (5) y la biela (6) mueven la membrana elástica (4) hacia arriba y hacia abajo. Cuando baja, aspira el gas que se va a bombear a través de la válvula de admisión (2). Al subir, la membrana presiona la sustancia a través de la válvula de escape (1) y la expulsa por el cabezal de la bomba. La cámara de trasiego (3) está separada del accionamiento de la bomba mediante la membrana.

6 Transporte

Aspectos generales



PRECAU- CIÓN

Lesiones y/o daños materiales por transportar la bomba de forma inadecuada o incorrecta

El transporte inadecuado o incorrecto de la bomba puede hacer que esta caiga y sufra daños o provoque lesiones personales.

- Utilizar medios auxiliares adecuados (correa, dispositivo elevador, etc.).
- Utilizar los equipos de protección individual adecuados (por ejemplo, calzado de seguridad, guantes de seguridad).



PRECAU- CIÓN

Peligro de lesiones por bordes afilados en el embalaje

Al agarrar por las esquinas o al abrir el embalaje pueden producirse lesiones de corte con los bordes afilados.

- Utilizar los equipos de protección individual adecuados (por ejemplo, calzado de seguridad, guantes de seguridad).

-
- Transportar la bomba en su embalaje original hasta el lugar de instalación.
 - Conservar el embalaje original de la bomba (por ejemplo, por si se guarda más adelante).
 - Comprobar si la bomba presenta daños de transporte después de recibirla.

- Documentar por escrito los daños de transporte que se hayan producido.
- Retirar los seguros de transporte antes de poner la bomba en marcha.

Parámetros

Parámetros	Valor
Temperatura de almacenamiento[°C]	De +5 a +40
Temperatura de transporte [°C]	De -10 a +60
Humedad admisible (sin condensación) [%]	De 30 a 85

Tab.12: Parámetros de transporte y parámetros de almacenamiento



INDICACIÓN

Asegurarse de que la bomba ha alcanzado la temperatura ambiente antes de su puesta en marcha (4 Datos técnicos [▶ 14]).

7 Puesta en marcha

Conectar la bomba solamente si se dan los parámetros y condiciones de servicio descritos en el capítulo 4 *Datos técnicos* [▶ 14].

- Observar las indicaciones de seguridad (ver capítulo Seguridad).
- Dejar la bomba en el lugar de uso antes de su conexión para que alcance la temperatura ambiente (no debe producirse condensación).

Suministro de aire de refrigeración



ADVERTENCIA

Quemaduras por superficies calientes
Si la bomba se sobrecalienta, sus superficies pueden calentarse.

- Al montar la bomba hay que asegurarse de que el suministro y la evacuación del aire de refrigeración sean correctos.

Lugar de uso

- Asegurarse de que el lugar de uso esté seco y de que la bomba esté protegida contra la lluvia, salpicaduras, chorros y gotas de agua y cualquier otro tipo de suciedad.
- Elegir una ubicación segura (superficie plana) para la bomba.
- Proteger la bomba contra el polvo.
- Proteger la bomba contra vibraciones, golpes y daños exteriores.
- Asegurarse de que el accionamiento del interruptor de alimentación se realice con facilidad.

7.1 Preparación de la puesta en marcha

Comprobar los siguientes puntos antes de conectar la bomba:

	Requisitos de funcionamiento necesarios
Bomba	- Conectar correctamente todas las mangueras
Bomba	- Los datos de la red eléctrica coinciden con los datos de la placa de características de la fuente de alimentación. - La salida de la bomba no está tapada ni estrechada.

Tab.13: Requisitos de funcionamiento para la puesta en marcha

7.2 Realización de la puesta en marcha



**PRECAU-
CIÓN**

Peligro de lesiones por el reventón de las mangueras debido a las altas temperaturas en aplicaciones de presión

Con el funcionamiento de presión de la bomba, las mangueras no diseñadas para las temperaturas pico de la bomba en el punto de servicio correspondiente pueden volverse porosas y reventar.

- Utilizar mangueras de presión resistentes a la temperatura en las conexiones neumáticas.
- En caso necesario, utilizar equipos de protección individual (p. ej., guantes de seguridad, protección para los oídos).



ADVERTEN- CIA

Lesiones en los ojos

Al acercarse demasiado a la entrada/salida de la bomba, los ojos pueden sufrir lesiones por el vacío o sobrepresión existente.

→ No mirar la entrada/salida de la bomba durante el funcionamiento

-
- Hacer funcionar la bomba solo bajo los parámetros y las condiciones de servicio descritas en el capítulo 4 *Datos técnicos* [▶ 14].
 - Asegurar el uso conforme a lo previsto de la bomba (ver capítulo *Uso conforme a lo previsto*).
 - Evitar el uso no conforme a lo previsto de la bomba (ver capítulo *Uso no conforme a lo previsto*).
 - Observar las indicaciones de seguridad (ver capítulo 3 *Seguridad* [▶ 8]).



ADVERTENCIA

Peligro de reventón del cabezal de la bomba por aumento excesivo de la presión

- No superar la presión de trabajo máxima admisible (ver 4 *Datos técnicos* [p. 14]).
- Controlar la presión durante el funcionamiento.
- Si la presión supera la presión de trabajo máxima admisible de la bomba: parar la bomba inmediatamente y solucionar el problema (ver capítulo Solución de problemas).
- Estrangular o regular el caudal de aire o gas solamente en la tubería de aspiración para evitar superar la presión de trabajo máxima admisible.
- Al estrangular o regular el caudal de aire o gas en la tubería de aspiración, asegurarse de que la bomba no supere la presión de trabajo máxima admisible.
- La salida de la bomba no puede estar tapada ni estrechada.



PELIGRO

Peligro por mezclas peligrosas de gases durante el funcionamiento de la bomba

Dependiendo de la sustancia bombeada, en caso de rotura de los componentes en contacto con ella podría formarse una mezcla peligrosa al entrar la sustancia en contacto con el aire del entorno o de la carcasa del compresor.

- Antes de utilizar una sustancia, comprobar la compatibilidad de los componentes que estarán en contacto con ella (ver capítulo 4 *Datos técnicos* [▶ 14]).

i El exceso de presión y sus peligros asociados pueden evitarse mediante una tubería de bypass con válvula de alivio de presión entre el lado de presión y el lado de aspiración de la bomba. Consultar más información con el servicio de atención al cliente de KNF (datos de contacto: ver www.knf.com).

Parada de la bomba → Establecer una presión atmosférica normal en las tuberías cuando la bomba está parada (descargar la bomba neumáticamente).

Conexión de la bomba

1. Retirar los tapones protectores de las conexiones neumáticas de la bomba.
2. Montar los accesorios filtro de aspiración o amortiguador de ruidos (si existen).

Funcionamiento de vacío Para el funcionamiento de vacío, conectar el racor (ver Fig. 1/5) en el lado de aspiración y el atenuador de ruidos (ver Fig. 1/4) o sus componentes del sistema de vacío en el lado de presión.

Funcionamiento de presión Para el funcionamiento de presión, conectar el racor en el lado de presión y el atenuador de ruidos o sus componentes del sistema de presión en el lado de aspiración.



INDICACIÓN

En la bomba hay roscas NPT autoes-tancas. Al apretar los accesorios, ase-gurarse de que no se aprietan hasta el tope, con el fin de evitar daños en la rosca y en la bomba.

- | | |
|------------------------|--|
| Componentes conectados | 3. Conectar las tuberías a la entrada y a la salida neumáticas. |
| Descarga de la bomba | 4. Conectar a la bomba solamente aquellos componentes diseñados para las características neumáticas de la bomba (ver capítulo 4 <i>Datos técnicos</i> [► 14]). |
| | 5. Si se utiliza como bomba de vacío: Desviar de forma segura la descarga de la bomba en la salida neumática de la bomba. |



INDICACIÓN

Los radios de manguera muy estre-chos pueden afectar a la estabilidad de la bomba.



INDICACIÓN

Fijar las conexiones del lado de pre-sión con un seguro (p. ej., abrazadera para mangueras o tubos), para evitar que las mangueras se suelten de la conexión.

6. Introducir el enchufe adecuado en la fuente de alimenta-ción.



INDICACIÓN

La bomba solo debe funcionar con la fuente de alimentación SELV suministrada.

7. Conectar la bomba a la fuente de alimentación.

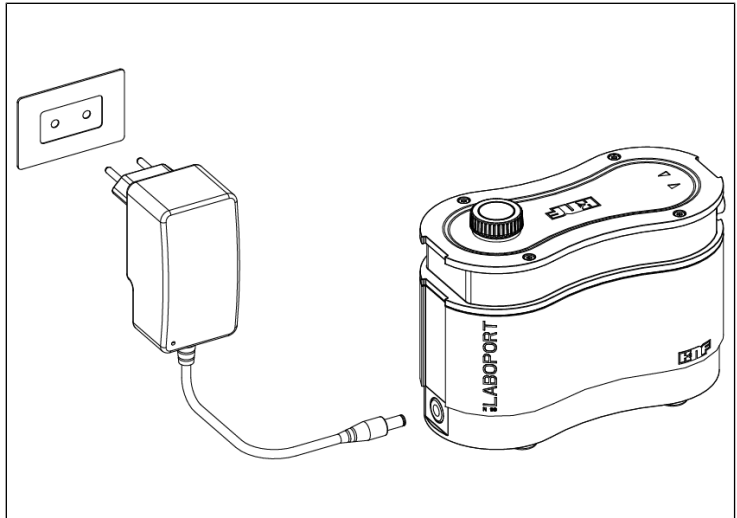


Fig. 3: Conectar el enchufe a la bomba

8. Conectar el enchufe de la fuente de alimentación a una toma de corriente con protección a tierra.

8 Funcionamiento

8.1 Información sobre la conexión y desconexión de la bomba

Conexión de la bomba

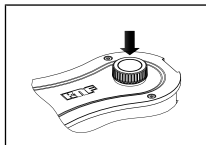


Fig.4: Conexión/
desconexión de la
bomba

- Durante la conexión, asegurarse de que la presión o el vacío específico (ver 4 Datos técnicos [► 14]) no se supere en las tuberías.
- Conectar la bomba pulsando el botón giratorio/pulsador (ver Fig. 1/3, ver Fig. 4).

Ajuste del caudal

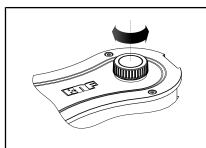


Fig.5: Ajuste del
caudal

El botón giratorio/pulsador permite modificar el número de revoluciones de la bomba. De esta forma es posible ajustar el caudal (ver Fig. 5).

- El ajuste de revoluciones del botón giratorio/pulsador se mantiene cuando se apaga la bomba.

Desconectar/poner fuera de servicio la bomba

- Si se bombean medios agresivos, limpiar la bomba antes de desconectarla para prolongar la vida útil de la membrana (ver capítulo 9 Mantenimiento [► 29]).
- Desconectar la bomba con el botón giratorio/pulsador (ver el capítulo Fig. 4).
- Si es posible, ajustar una presión atmosférica normal en las tuberías (descargar la bomba neumáticamente para prolongar la vida útil de la bomba).
- Desenchufar la fuente de alimentación de la bomba de la toma de corriente con protección a tierra.





ADVERTEN- CIA

Rearranque automático tras una interrupción del suministro de corriente

En caso de que se interrumpa el suministro de corriente, la bomba volverá a arrancar automáticamente.

→ Tomar las medidas de protección oportunas.

9 Mantenimiento



PRECAU- CIÓN

Piezas sensibles a ESD (ESDS)

Si no se cumplen las disposiciones sobre protección frente a descargas electrostáticas de la norma IEC 61340-5-1 pueden producirse daños parciales o totales en la bomba.

- El mantenimiento de la bomba debe ser realizado únicamente por una persona cualificada en un área de protección electrostática (zona EPA) conforme a la norma IEC 61340-5-1.

ES



INDICACIÓN

Mantenimiento de la bomba

Si no se cumplen las normas y disposiciones legales aplicables localmente o si se producen intervenciones por parte de personal no formado o instruido, pueden producirse daños materiales en las bombas.

- El mantenimiento solo puede ser realizado conforme a las normas y disposiciones legales (p. ej. seguridad en el trabajo, protección del medio ambiente).
- El mantenimiento solo puede ser realizado por personal especialista o con la debida formación e instrucción.

9.1 Plan de mantenimiento

Componente	Intervalo de mantenimiento
Bomba	<ul style="list-style-type: none"> → Comprobar regularmente si presenta daños externos o fugas. → Comprobar regularmente si hay cambios anormales en el ruido y la vibración.
Membrana y placas de válvula/juntas	<ul style="list-style-type: none"> → Sustituir como muy tarde cuando disminuya el rendimiento de la bomba.

Tab. 14: Plan de mantenimiento

9.2 Limpieza



INDICACIÓN

Durante los trabajos de limpieza, asegurarse de que no entren líquidos en el interior de la carcasa.

9.2.1 Limpieza de la bomba

- Antes de desconectar la bomba, limpiarla durante unos 5 minutos con aire en condiciones atmosféricas (a presión ambiente) (si es necesario por motivos de seguridad: con un gas inerte).

9.2.2 Limpieza de la bomba

- Utilizar solamente un paño húmedo para limpiar la bomba y no productos de limpieza inflamables.
- Si se dispone aire comprimido, soplar las piezas.

9.3 Sustitución de la membrana y las placas de válvula

- Requisitos
- Desconectar la bomba de la red eléctrica y asegurarse de que no está bajo tensión.
 - Limpiar la bomba y eliminar las sustancias peligrosas de la misma.
 - Quitar las mangueras de la entrada y la salida neumática.
 - Quitar los accesorios (si los hay), como el amortiguador de ruidos, el filtro de aspiración, etc., de las conexiones de gas.

Piezas de re-
cambio/herra-
mientas

Pieza de recambio/herramienta	Cantidad
Juego de piezas de recambio	1
Destornillador Torx TX10 con indicación del par de giro	1

Tab. 15: Piezas de recambio/herramientas

*Conforme al capítulo 10 Piezas de recambio y accesorios [▶ 41]

Indicaciones sobre el procedimiento

La membrana y las placas de válvula/juntas son las únicas piezas de desgaste de las bombas. Pueden cambiarse fácilmente.

Con carácter general, las placas de válvula/juntas y la membrana deben sustituirse al mismo tiempo. Si al cambiar la membrana no se cambian también las placas de válvula/juntas, no está garantizado el rendimiento teórico de la bomba, incluso después del mantenimiento.



ADVERTEN- CIA

Peligro para la salud por sustancias peligrosas en la bomba

La sustancia bombeada podría causar quemaduras o intoxicaciones.

- En caso necesario, utilizar equipos de protección individual, p. ej. guantes de protección, gafas de protección.
- Limpiar la bomba de forma adecuada.



PRECAU- CIÓN

Quemaduras por piezas de la bomba calientes

Después del funcionamiento de la bomba, el cabezal de la bomba o el motor pueden estar todavía calientes.

- Dejar enfriar la bomba después del funcionamiento.

El cambio de la membrana y las placas de válvula/juntas debe efectuarse en este orden:

a.) Abrir la carcasa de la bomba

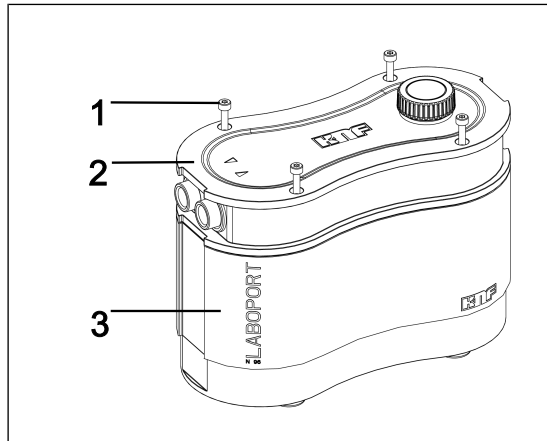


Fig.6: Abrir la carcasa

1. Aflojar los cuatro tornillos de la carcasa (Fig. 6/1) und entnehmen Sie diese aus dem Gehäusedeckel (2) (ver Fig. 7).

Conservar los tornillos para el montaje posterior.

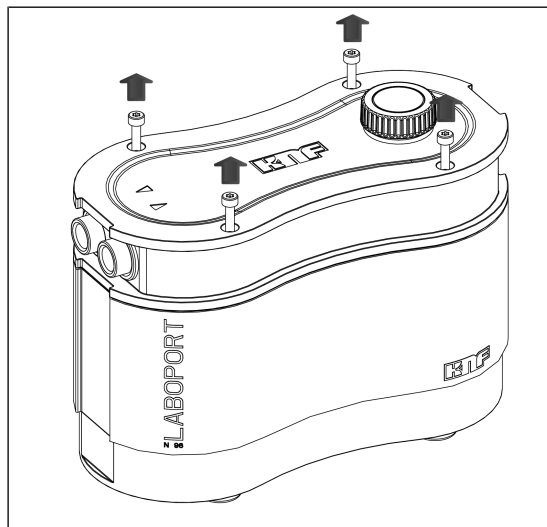


Fig.7: Aflojar los tornillos de la carcasa



INDICACIÓN

Asegurarse de que los siguientes pasos se efectúan en un área de protección electrostática (zona EPA).

2. Deslizar la tapa de la carcasa (2) por encima de las conexiones de gas (ver Fig. 8).

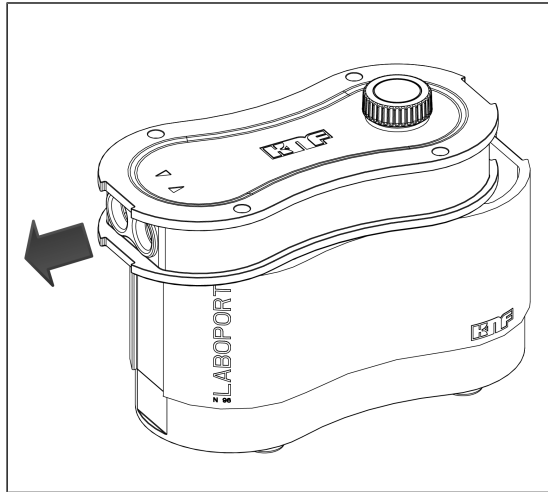


Fig.8: Deslizar la tapa de la carcasa por encima de las conexiones de gas (abrir la bomba)

3. Quitar con cuidado la tapa de la carcasa (2) y colocarla junto a la carcasa de la bomba (3) (ver Fig. 9).
- i** Al quitar la tapa de la carcasa (2), asegurarse de que no actúan fuerzas de tracción en los cables y de que estos no sufren daños

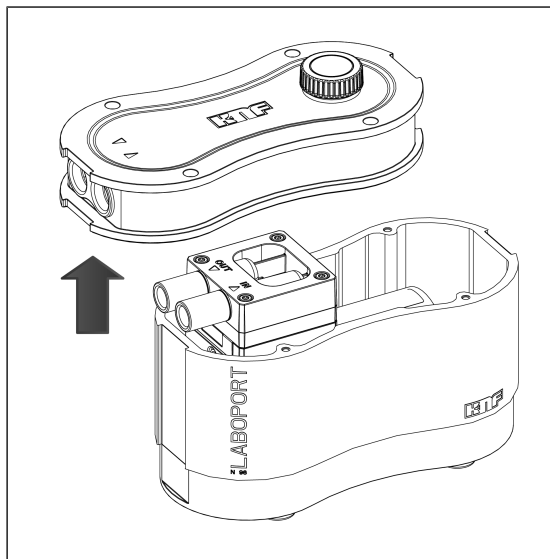


Fig.9: Quitar la tapa de la carcasa

Los números de posición de las siguientes instrucciones de trabajo se refieren al Fig. 10.

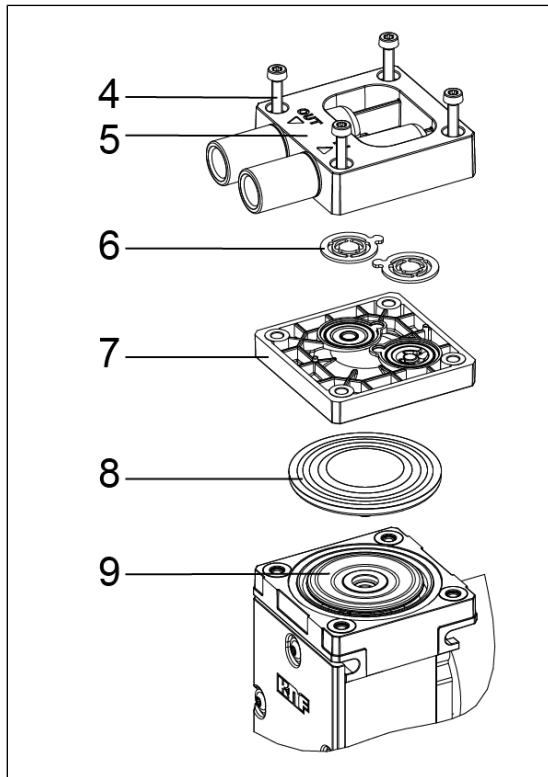


Fig.10: Dibujo detallado

b.) Desmontar el cabezal

→ Aflojar los cuatro tornillos de la tapa del cabezal (4) y quitar la tapa del cabezal (5) junto con la placa intermedia (7) de la carcasa de la bomba.

c.) Cambiar la membrana

1. Elevar la membrana (8) por bordes laterales opuestos. A continuación, agarrar la membrana (8) y mover la membrana (8) al punto de inversión superior. Después, desenroscar la membrana (8) en sentido antihorario.
2. Comprobar si hay suciedad en las piezas y limpiarlas en caso necesario (ver capítulo 9.2 Limpieza [30]).

3. Enroscar la membrana nueva (8) en la biela (9) (en sentido horario) y apretar a mano la membrana (8).

i Al enroscar la membrana (8), evitar que esta se pase de rosca.
Si la membrana se pasa de rosca, existe el peligro de que sufra daños.

d.) Cambiar las placas de válvula

1. Separar la tapa del cabezal (5) de la placa intermedia (7).
2. Quitar las placas de válvula/juntas (6) de la tapa del cabezal (5).
3. Comprobar si están limpios los asientos de válvula, la placa intermedia (7) y la tapa del cabezal (5). En caso de irregularidades, arañazos o corrosión, es necesario sustituir estas piezas (contactar para ello con el servicio de atención al cliente de KNF).

i Colocar las nuevas placas de válvula/juntas (6) en los asientos de válvula de la placa intermedia (7). Las placas de válvula/juntas (6) de los lados de presión y aspiración son idénticas; lo mismo sucede con la parte superior e inferior de las placas de válvula/juntas (6).

4. Con un ligero movimiento horizontal, asegurarse de que las placas de válvula/juntas (6) no están tensas.
5. Asegurarse de que las placas de válvula/juntas (6) estén centradas en los asientos de válvula de la placa intermedia (7).
6. Eliminar adecuadamente la membrana y las placas de válvula/juntas sustituidas.

e.) Montar el cabezal de la bomba

1. Colocar la placa intermedia (7) con las placas de válvula/juntas (6) en la carcasa.

2. Colocar la tapa del cabezal (5) en la placa intermedia (7) según el centrado.

i Colocar el cabezal de la bomba sobre la carcasa del compresor según la alineación de las conexiones de gas.

3. Apretar los tornillos (4) de forma cruzada (par de apriete: 190-200 Ncm).

f.) Cerrar la carcasa de la bomba

1. Colocar con cuidado la tapa de la carcasa (Fig. 6/2) sobre la carcasa de la bomba (3) (ver Fig. 11).

i Asegurarse de que los cables se encuentran en el interior de la carcasa de la bomba (3) y la placa de circuito impreso no resulta dañada.

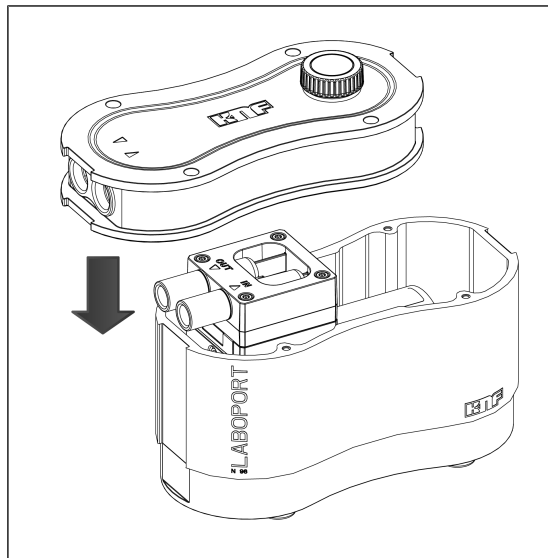


Fig.11: Colocar la tapa de la carcasa

2. Deslizar la tapa de la carcasa (2) sobre las conexiones de gas hasta que la forma de la tapa de la carcasa (2) coincida con la forma de la carcasa de la bomba (3) (ver Fig. 12).

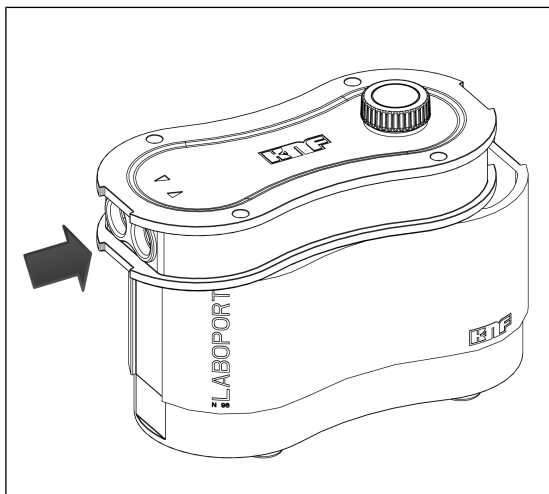


Fig.12: Deslizar la tapa de la carcasa por encima de las conexiones de gas (cerrar la bomba)

3. Apretar los cuatro tornillos de la carcasa (1) de forma cruzada (par de apriete: 190-200 Ncm) (ver Fig. 13).

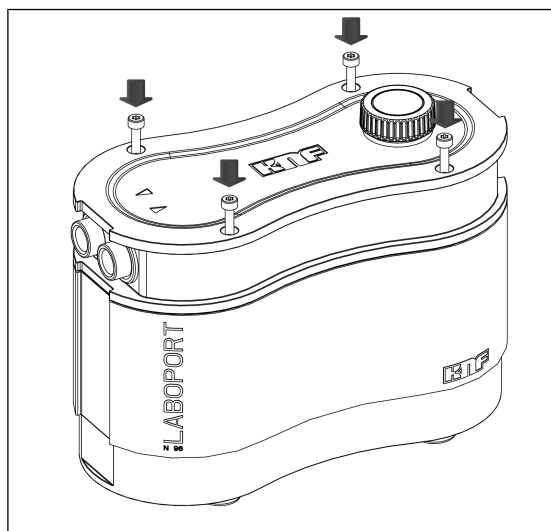


Fig.13: Enroscar los tornillos de la carcasa

g.) Pasos finales



ADVERTENCIA

Peligro de lesiones e intoxicaciones por inestaqueidades

- Antes de volver a poner la bomba en marcha, comprobar la estanqueidad de los cabezales de las bombas y las conexiones neumáticas. Las inestaqueidades podrían producir intoxicaciones, quemaduras o lesiones similares.

-
1. Enroskar los accesorios (si procede), como el amortiguador de ruidos, el filtro de aspiración, etc., en las conexiones de gas.
 2. Comprobar el funcionamiento.
 - Conectar las conexiones de gas a la bomba.
 - Conectar la bomba al suministro de corriente.
 - Comprobar el funcionamiento de la bomba (el vacío final, entre otros).
 - Volver a desconectar la bomba eléctrica y neumáticamente.
 3. Instalar la bomba en el lugar de uso según las instrucciones del capítulo 7 *Puesta en marcha* [▶ 20].
 - Conectar las conexiones de gas a la bomba.
 - Conectar la bomba al suministro de corriente.
 - Comprobar el funcionamiento de la bomba (el vacío final, entre otros).

Si tiene dudas con respecto al mantenimiento, contacte con el servicio de atención al cliente de KNF (datos de contacto: ver www.knf.com).

10 Piezas de recambio y accesorios

i Para realizar el pedido de piezas de recambio y accesorios, contacte con su distribuidor KNF o con el servicio de atención al cliente de KNF (datos de contacto: ver www.knf.com).

10.1 Piezas de recambio

Juego de piezas de recambio

Un juego de piezas de recambio se compone de:

Juego de piezas de recambio

Juego de piezas de recambio	Referencia
Laboport N96	322636

Tab. 16: Juego de piezas de recambio

Un juego de piezas de recambio se compone de:

Piezas	Cantidad
Membrana	1
Placas de válvula/ juntas	2

Tab. 17: Piezas de recambio

Otras piezas de recambio	Referencia
Juego de fuente de alimentación	323457
Juego de amortiguador de ruidos y boquilla ID6, PP	323456

Tab. 18: Otras piezas de recambio

10.2 Accesorios

Accesorios	Referencia
Soporte para trípode	323484

Tab.19: Accesorios

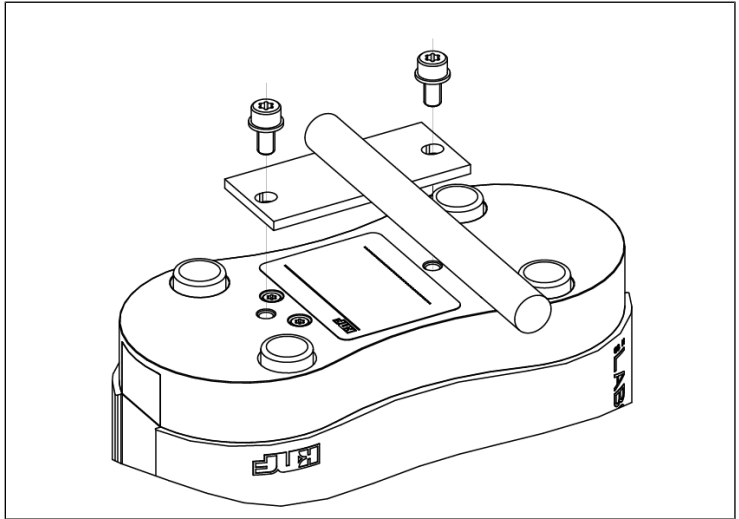


Fig.14: Bomba con soporte para trípode

11 Solución de anomalías



PELIGRO

Peligro de muerte por descarga eléctrica

- Solo los especialistas autorizados pueden realizar trabajos en la bomba.
- Antes de realizar trabajos en la bomba: desconectar la bomba del suministro de corriente.
- Comprobar y asegurarse de que no hay tensión.

→ Comprobar la bomba (ver las tablas siguientes).

ES

La bomba no bombea	
Causa	Solución de problemas
No hay tensión en la red eléctrica.	→ Comprobar los fusibles y, en su caso, restablecer la corriente.
Se ha disparado la protección contra sobretemperatura de la bomba.	→ Desconectar la bomba de la red eléctrica. → Dejar que la bomba se enfríe. → Determinar la causa del sobrecalentamiento y subsanarla.
Las conexiones o las tuberías están bloqueadas.	→ Comprobar las conexiones y las tuberías. → Solucionar el bloqueo.
La válvula externa está cerrada o el filtro está obstruido.	→ Comprobar las válvulas externas y los filtros.
Se ha acumulado condensado en el cabezal de la bomba.	→ Separar la fuente del condensado de la bomba. → Limpiar la bomba con aire a presión atmosférica durante algunos minutos (si es necesario por motivos de seguridad: con un gas inerte).
La membrana o las placas de válvula/juntas están desgastadas.	→ Sustituir la membrana y las placas de válvula/juntas (ver capítulo 9.3 <i>Sustitución de la membrana y las placas de válvula</i> [▶ 31]).

Tab.20: Solución de problemas: La bomba no bombea

Caudal, presión o vacío insuficientes	
La bomba no alcanza la potencia indicada en los datos técnicos o en la ficha técnica.	
Causa	Solución de problemas
Se ha acumulado condensado en el cabezal de la bomba.	<ul style="list-style-type: none"> → Separar la fuente del condensado de la bomba. → Limpiar la bomba con aire a presión atmosférica durante algunos minutos (si es necesario por motivos de seguridad: con un gas inerte). → Si está disponible, abrir el lastre de gas y limpiar el cabezal de la bomba.
En el lado de presión hay sobrepresión y al mismo tiempo en el lado de aspiración hay vacío o una presión superior a la atmosférica.	<ul style="list-style-type: none"> → Modificar las condiciones neumáticas.
Las tuberías o piezas de conexión neumática tienen una sección insuficiente o están estranguladas.	<ul style="list-style-type: none"> → Desacoplar la bomba del sistema para determinar los valores de rendimiento. → Solucionar el posible estrangulamiento (p. ej., válvula). → Utilizar tuberías y piezas de conexión con una sección mayor.
Hay fugas en las conexiones, las tuberías o el cabezal de la bomba.	<ul style="list-style-type: none"> → Comprobar el correcto asiento de las mangueras en los racores. → Asegurarse de que las conexiones están correctamente montadas. → Sustituir las mangueras no estancas. → Solucionar las fugas.
Las conexiones o las tuberías están total o parcialmente obstruidas.	<ul style="list-style-type: none"> → Comprobar las conexiones y las tuberías. → Retirar las piezas o partículas que causan la obstrucción.
Los componentes del cabezal están sucios.	<ul style="list-style-type: none"> → Limpiar los componentes del cabezal.
La membrana o las placas de válvula/juntas están desgastadas.	<ul style="list-style-type: none"> → Sustituir la membrana y las placas de válvula/juntas (ver capítulo 9.3 <i>Sustitución de la membrana y las placas de válvula</i> [p. 31]).

Caudal, presión o vacío insuficientes	
La bomba no alcanza la potencia indicada en los datos técnicos o en la ficha técnica.	
Causa	Solución de problemas
Membrana y placas de válvula/juntas sustituidas.	<ul style="list-style-type: none"> → Comprobar la estanqueidad de las mangueras. → Eventualmente, apretar con cuidado los tornillos exteriores de la placa de presión de forma cruzada.
El botón giratorio/pulsador no está ajustado al número de revoluciones máximo.	<ul style="list-style-type: none"> → Ajustar el botón giratorio/pulsador al número de revoluciones máximo.

Tab.21: Solución de problemas: Caudal, presión o vacío insuficientes

12 Devolución

Preparación para la devolución

1. Limpiar la bomba con aire durante algunos minutos (si es necesario por motivos de seguridad: con un gas inerte) a presión atmosférica para eliminar los gases peligrosos o agresivos del cabezal de la bomba (ver capítulo 9.2.1 *Limpieza de la bomba* [▶ 30]).
i En caso de que no sea posible lavar la bomba debido a daños, ponerse en contacto con el distribuidor de KNF.
2. Desmontar la bomba.
3. Limpiar la bomba (ver capítulo 9.2.2 *Limpieza de la bomba* [▶ 30]).
4. Enviar la bomba a KNF con la declaración de descontaminación e inocuidad cumplimentada e indicando la sustancia bombeada.
5. Embalar el equipo de forma segura para evitar más daños en el producto. Si es necesario, solicitar un embalaje original con coste.

Devolución

KNF solamente está obligada a reparar la bomba si el cliente presenta un certificado del medio bombeado y de la limpieza de la bomba. También es posible devolver los residuos de aparatos antiguos en el sentido de la RAEE. Para ello, seguir las instrucciones de knf.com/repairs.

Contactar directamente con el distribuidor de KNF si necesita ayuda adicional sobre el servicio de devolución.

13 Índice de palabras clave

A	
Accesorios	42
Advertencia	5
Altura de instalación	15
Amortiguador de ruidos	16, 24
Aplicación de presión	24
Atenuador de ruidos	3
B	
Biela	17
Boquilla.....	16
C	
Cámara de trasiego	17
Cambio de piezas de desgaste	31
Capacidad de bombeo	14
Características neumáticas	14
Carcasa de la bomba	35
Caudal	27
Ajuste del caudal	27
Condiciones de servicio	10
Conexión	9, 27
Conexión de gas	14
D	
Datos eléctricos	14
Descarga de la bomba	25
Directivas	11
E	
Eliminación	12
Embalaje	3
Entrada	16
ESD	29
Excéntrica.....	17
F	
Fuente de alimentación	3, 26, 27
Conexión de la fuente de alimen- tación	25
Enchufe	3, 25
Funcionamiento de presión	24
Funcionamiento de vacío.....	24
G	
Grado de protección de la bomba	15
Grupo destinatario	8
H	
Herramienta	31
L	
Laboport ® N96	3
Libres de mantenimiento	12
Limpieza	30
Lugar de uso.....	20
M	
Mantenimiento	12, 29
Material	14
Medidas	15
Membrana.....	17, 36
Montaje	20
N	
Normas	11
P	
Parada de la bomba	24
parámetros	

parámetros de almacenamiento	19
Parámetros de servicio.....	9, 22
parámetros de transporte	19
Parámetros de arranque	15
Personal	8
Personal especializado	12
Peso	15
Pieza de recambio.....	31, 41
Juego de piezas de recambio .	41
Piezas originales	12
Placa de válvula	37
Placa intermedia.....	36
Potencia, eléctrica	14
Presión de trabajo	14
Prevención de accidentes	9
Protección medioambiental	12
Puesta en marcha	22
Requisitos de funcionamiento	21

R

Racor.....	3
Reglamentos	11
Rendimiento, neumático.....	14
Reparaciones	12
Responsabilidad de la empresa explotadora	9

S

Salida	16
Servicio de atención al cliente.....	12
Solución de problemas	44
Soporte para trípode	42
Sustancia.....	10
Sustancias inflamables.....	11
Sustancias peligrosas	10

T

Tapa de la carcasa	33
Tapa del cabezal	36
Temperatura	

Temperatura ambiente	15
Temperatura de almacenamiento	19
Temperatura de la sustancia ...	15
Temperatura de transporte	19
Temperatura de uso	15
Tornillo de la carcasa.....	33
Tornillo de la tapa del cabezal	36
Trabajar de forma segura	9
Transporte	18

V

Vacío final	14
Válvula de admisión.....	17
Válvula de escape	17
Volumen de suministro	3

KNF Neuberger GmbH
Alter Weg 3
79112 Friburgo
Alemania
Tel. 07664/5909-0

Correo electrónico: in-
fo.de@knf.com
www.knf.com

KNF en el mundo

Encontrará a nuestros socios KNF locales en: www.knf.com



Lab

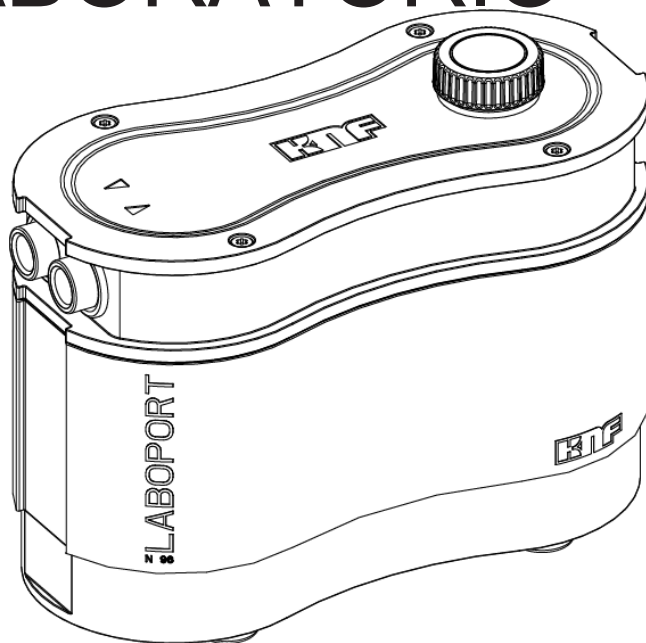
Laboport® N96

**TRADUZIONE DEL MANUALE
D'ISTRUZIONI ORIGINALE
ITALIANO**

LABOPORT®

**POMPE DA
LABORATORIO**

IT



Avvertenza!

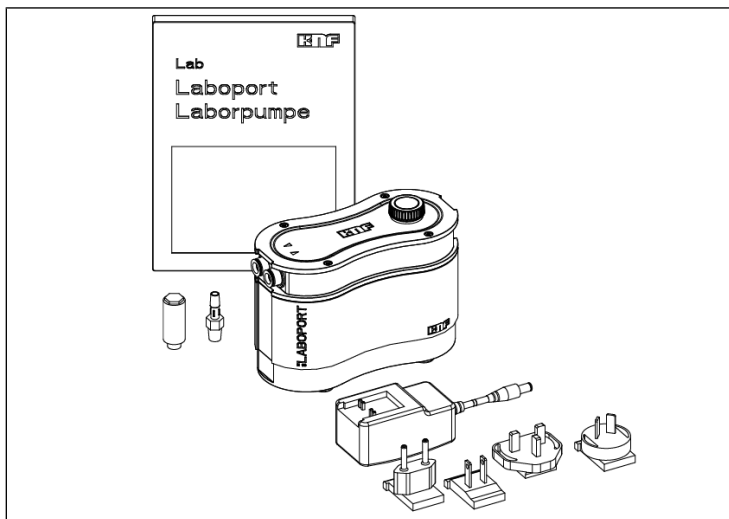
Prima di utilizzare la pompa e gli accessori, leggere e rispettare le istruzioni d'uso e di montaggio e le avvertenze di sicurezza!

Indice

1	Ambito di fornitura	3
2	Informazioni sul presente documento	4
2.1	Utilizzo delle istruzioni d'uso	4
2.2	Esclusione di responsabilità.....	4
2.3	Documenti di riferimento	5
2.4	Simboli e contrassegni	5
3	Sicurezza	8
3.1	Personale e gruppo target	8
3.2	Responsabilità del gestore.....	9
3.3	Operare nel rispetto delle norme di sicurezza	9
3.4	Condizioni d'esercizio	10
3.5	Fluidi	11
3.6	Direttive e normative	12
3.7	Servizio Assistenza Clienti e riparazioni	12
3.8	Smaltimento	13
4	Dati tecnici.....	14
5	Descrizione del prodotto e funzionamento	16
6	Trasporto.....	18
	Informazioni generali.....	18
7	Messa in servizio.....	20
7.1	Preparazione della messa in servizio	21
7.2	Esecuzione della messa in servizio	21
8	Funzionamento	27
8.1	Informazioni sull'attivazione e la disattivazione della pompa.....	27
9	Manutenzione.....	29
9.1	Piano di manutenzione	30
9.2	Pulizia	30
9.3	Sostituzione della membrana e delle piastre portavalvola.....	31
10	Parti di ricambio e accessori	41
10.1	Parti di ricambio	41
10.2	Accessori	42
11	Eliminazione delle anomalie.....	43
12	Spedizione di ritorno	47
13	Indice analitico	48

1 Ambito di fornitura

- Laboport ® N96
- Alimentatore incl. inserto spina (EU, US, UK, AU)
- Portagomma con filettatura NPT ID6
- Insonorizzatore
- Istruzioni d'uso
- QuickStart



Prelievo della pompa dall'imballaggio

1. Dopo averli prelevati dall'imballaggio, verificare che la pompa e gli accessori in dotazione non presentino danni da trasporto.
2. Qualora l'imballaggio sia danneggiato, si prega di informare lo spedizioniere responsabile, affinché sia possibile redigere un apposito protocollo. Per ulteriori informazioni, consultare il capitolo 6 *Trasporto* [▶ 18].

2 Informazioni sul presente documento

2.1 Utilizzo delle istruzioni d'uso

Le istruzioni d'uso sono parte integrante della pompa.

- In caso di dubbi riguardo alle istruzioni d'uso, si prega di contattare il costruttore (per i dati di contatto, consultare l'indirizzo www.knf.com). A tale scopo, tenere a portata di mano la denominazione del modello e il codice seriale della pompa.
- Leggere le istruzioni d'uso prima di mettere in servizio la pompa.
- Consegnare le istruzioni d'uso al proprietario successivo esclusivamente in condizioni integre e prive di modifiche.
- Mantenere le istruzioni d'uso sempre a portata di mano.

Pompe per progetti specifici

In caso di pompe personalizzate per progetti specifici (modelli di pompe che inizino con "PJ" o "PM"), potranno esservi alcune differenze rispetto alle istruzioni d'uso e di montaggio.

- In caso di pompe per progetti specifici, attenersi inoltre alle specifiche concordate.

2.2 Esclusione di responsabilità

Il costruttore non si assume alcuna responsabilità per danni e anomalie dovuti alla mancata osservanza delle istruzioni d'uso.

Il costruttore non si assume alcuna responsabilità per danni e anomalie dovuti a modifiche o cambiamenti del dispositivo nonché all'uso improprio.

Il costruttore non si assume alcuna responsabilità per danni e anomalie dovuti all'utilizzo di ricambi e accessori non consentiti.

2.3 Documenti di riferimento

I documenti elencati devono essere tenuti in considerazione. Le versioni in vigore sono disponibili all'indirizzo www.knf.com/Downloads.

- Scheda tecnica
- Modello 3D

Rispettare inoltre:

- Le condizioni generali di vendita (AGB) locali
- Documenti relativi alla vendita e accordi tra KNF e cliente.

2.4 Simboli e contrassegni

Avvertenza di pericolo



**AVVERTI-
MENTO**

Indica un'avvertenza che segnala un pericolo.

Indica possibili conseguenze in caso di mancata osservanza dell'avvertenza di pericolo. La parola chiave, ad es. "Avvertimento", segnala il livello di pericolo.

→ Indica misure volte a prevenire il pericolo e le relative conseguenze.

Livelli di pericolo

Parola chiave	Significato	Conseguenze in caso di mancata osservanza
PERICOLO	Segnala un pericolo imminente	Pericolo di morte o di gravi lesioni, oppure di gravi danni materiali.
AVVERTIMENTO	Segnala un possibile pericolo imminente	Possibilità di morte o di gravi lesioni, oppure di gravi danni materiali.
CAUTELA	Segnala una situazione potenzialmente pericolosa	Possibilità di lesioni lievi, oppure di danni materiali.
AVVERTENZA	Segnala possibili danni materiali	Possibilità di danni materiali.

Tab. 1: Livelli di pericolo

Ulteriori avvertenze e simboli

→ Indica un'attività da svolgere (un passaggio).

1. Indica il primo passaggio di un'attività da svolgere.
Seguono ulteriori passaggi, con numerazione progressiva.

i Questo simbolo rimanda ad importanti informazioni.

Spiegazione dei pittogrammi

Pittogramma	Significato
	Segnale di pericolo generico
	Avvertimento di superficie calda
	Avvertimento di tensione elettrica
	Avvertimento di sostanze tossiche
	Avviso di rischio lesioni da contusione alle mani
	Zona con protezione ESD
	Attenersi alle istruzioni d'uso
	Segnale d'obbligo generico
	Estrarre il connettore di alimentazione
	Utilizzare calzature di sicurezza
	Utilizzare guanti protettivi
	RAEE Simbolo per la raccolta differenziata di apparecchiature elettriche ed elettroniche. L'utilizzo di tale simbolo significa che il presente prodotto non vada smaltito assieme ai normali rifiuti domestici.
	Riciclaggio

Tab.2: Spiegazione dei pittogrammi

3 Sicurezza

i Attenersi alle avvertenze di sicurezza riportate ai capitoli 7 *Messa in servizio* [▶ 20] e 8 *Funzionamento* [▶ 27].

3.1 Personale e gruppo target

Personale Accertarsi che alle pompe lavori esclusivamente personale specializzato, oppure espressamente istruito e addestrato. Ciò vale in particolare per interventi di messa in servizio e manutenzione.

Accertarsi che il personale abbia letto e compreso le istruzioni d'uso, in particolare il capitolo Sicurezza.

Gruppo target

Gruppo target	Definizione
Utente	Collaboratore di laboratorio
Personale specializzato	Il personale specializzato ha le seguenti caratteristiche: - dispone di formazione professionale pertinente all'ambito trattato nel rispettivo paragrafo di testo; - dispone di conoscenze aggiornate nell'ambito trattato nel rispettivo paragrafo di testo.

Tab.3: Gruppo target

Matrice dei ruoli

Fase di vita	Utente	Personale specializzato
Trasporto		X
Installazione	X	X
Preparazione alla messa in servizio	X	X
Messa in servizio	X	X
Esercizio	X	X
Manutenzione		X
Eliminazione anomalie		X
Smaltimento		X

Tab.4: Matrice dei ruoli

3.2 Responsabilità del gestore

Le pompe sono costruite conformemente alle regole tecniche generalmente riconosciute ed alle prescrizioni antinfortunistiche e di sicurezza sul lavoro. Tuttavia, durante il loro utilizzo possono insorgere pericoli che, a loro volta, potrebbero causare lesioni all'utente o a terzi, oppure danneggiare la pompa o altri beni materiali.

Accertarsi che non possano insorgere situazioni di pericolo, né rischi di lesioni o di danni alla pompa.

Parametri d'esercizio Utilizzare ed installare la pompa esclusivamente secondo i parametri e nelle condizioni d'esercizio descritti ai capitoli 3.4 *Condizioni d'esercizio* [▶ 10] e 4 *Dati tecnici* [▶ 14].

3.3 Operare nel rispetto delle norme di sicurezza

Per tutti gli interventi sulle pompe e durante l'esercizio, attenersi alle prescrizioni antinfortunistiche e di sicurezza.

Evitare il contatto con le teste della pompa e con elementi della carcassa, poiché la pompa si riscalda durante l'esercizio.

Accertarsi che la pompa, in caso di interventi sulla stessa, sia scollegata dalla rete e disalimentata.

Nel collegare la pompa alla rete elettrica, attenersi alle regole di sicurezza del caso.

Non esporre al vuoto alcuna parte del corpo.

Accertarsi che non possano crearsi pericoli causati dal flusso proveniente da raccordi del gas aperti, da rumorosità o da gas ad alta temperatura, corrosivi, pericolosi o nocivi per l'ambiente.

Accertarsi che sia sempre garantita un'installazione della pompa conforme alle normative EMC e che ciò non possa comportare situazioni di pericolo.

Evitare che si sprigionino gas o vapori pericolosi, tossici, esplosivi, corrosivi, nocivi alla salute o per l'ambiente, ad es. utilizzando apposite apparecchiature di laboratorio con cammino e regolazione dell'aerazione.

3.4 Condizioni d'esercizio

Utilizzare le pompe esclusivamente in condizioni tecniche a regola d'arte, in maniera conforme e tenendo presenti norme di sicurezza e pericoli, nel rispetto delle istruzioni d'uso.

Le pompe possono essere utilizzate esclusivamente se montate per intero e nello stato di consegna.

Accertarsi che il luogo d'installazione sia asciutto e che la pompa sia protetta da acqua piovana, spruzzi, getti e stillicidio, nonché da ulteriori impurità.

La tenuta dei collegamenti fra la tubazione dell'applicazione e la pompa (o l'allacciamento della pompa) andrà verificata con regolarità. In caso di collegamenti anermetici, vi è pericolo che dal sistema di pompaggio si sprigionino gas e vapori pericolosi.

I componenti da collegare alle pompe dovranno essere concepiti per i dati pneumatici delle pompe stesse.

3.5 Fluidi

- Requisiti dei fluidi di convogliati** Prima di convogliare un fluido, verificare che il fluido stesso sia effettivamente convogliabile senza pericoli nel concreto caso applicativo.
- A tale riguardo, prestare attenzione anche ad un'eventuale variazione dello stato di aggregazione (condensazione, cristallizzazione).
- Prima di utilizzare un fluido, verificare la compatibilità dei componenti a contatto con il fluido stesso (vedere *4 Dati tecnici* [▶ 14]).
- Convogliare esclusivamente gas che si mantengano stabili a fronte delle pressioni e delle temperature interne alla pompa.
- Utilizzo di fluidi pericolosi** In caso di rottura della membrana e/o di anermeticità, il fluido convogliato si miscelerà con l'aria ambiente e/o all'interno della carcassa del sistema per vuoto. Accertarsi che ciò non possa comportare situazioni di pericolo.
- Qualora vengano convogliati fluidi pericolosi, attenersi alle disposizioni di sicurezza per l'utilizzo di tali fluidi.
- Utilizzo di fluidi infiammabili** Nota bene: la pompa non è dotata di protezione antiesplosione.
- Accertarsi che la temperatura del fluido sia sempre adeguatamente inferiore alla temperatura d'innescio del fluido stesso, per prevenire un innesco o un'esplosione. Ciò vale anche per situazioni d'esercizio straordinarie.
- Tenere presente che la temperatura del fluido aumenti, quando la pompa comprime il fluido.
- Occorrerà, pertanto, accertarsi che la temperatura del fluido, anche in fase di compressione alla sovrappressione massima consentita per il sistema per vuoto, sia adeguatamente inferiore alla temperatura d'innescio del fluido. La sovrappressione massima consentita per il sistema per vuoto è riportata al capitolo 4 *Dati tecnici* [▶ 14].
- Accertarsi che la temperatura ambiente consentita (vedere *4 Dati tecnici* [▶ 14]) non venga superata.
- All'occorrenza, tenere in considerazione eventuali fonti di energia esterne (ad es. fonti d'irradiazione) che possano ulteriormente riscaldare il fluido.
- In caso di dubbi, contattare il Servizio Assistenza Clienti KNF.

3.6 Direttive e normative

Direttive /
Normative
UE/CE



Le pompe sono conformi alle seguenti Direttive/Disposizioni:

- 2011/65/UE (RoHS)
- 2014/30/UE (EMC)
- 2006/42/CE (MRL)
- UK Regulation S.I. 2008/1597 Supply of Machinery (Safety)
- UK Regulation S.I. 2016/1091 Electromagnetic Compatibility
- UK Regulation S.I. 2012/3032 Restriction of the Use of Certain Hazardous Substances in Electrical and Electronic Equipment

È garantita la conformità con le seguenti Normative armonizzate/menzionate:

- EN 1012-2
- EN ISO 12100
- EN 61010-1
- EN 61326-1
- EN IEC 63000



Le pompe sono approvate da TÜV conformemente a:

- UL 61010-1
- CAN/CSA-C22.2 N. 61010-1

Certificato: N. U8 045055 0021 Rev. 00

3.7 Servizio Assistenza Clienti e riparazioni

Servizio Assistenza Clienti e riparazioni

Le pompe sono del tipo senza manutenzione. KNF consiglia comunque di verificare con regolarità che le pompe non presentino evidenti variazioni di rumorosità e vibrazioni.

Le riparazioni sulle pompe andranno affidate esclusivamente dall'apposito Servizio Assistenza Clienti KNF.

Le carcasse con parti sotto tensione andranno aperte esclusivamente da personale specializzato.

In caso di interventi di utilizzare esclusivamente di KNF.

3.8 Smaltimento

Tutela ambientale/
RAEE

Conservare la pompa e tutte le parti di ricambio conformemente alle disposizioni di tutela ambientale. Attenersi alle prescrizioni nazionali ed internazionali. Ciò vale in particolare per parti contaminate con sostanze tossiche.



Qualora i materiali d'imballaggio non fossero più necessari (ad es. per un reso o per altro trasporto del sistema per vuoto), essi andranno smaltiti nel rispetto dell'ambiente.



Il presente prodotto è contrassegnato conformemente alla Direttiva UE sullo smaltimento di rifiuti di apparecchiature elettriche ed elettroniche (RAEE). I dispositivi obsoleti non andranno smaltiti assieme ai rifiuti domestici. Il corretto smaltimento ed il riciclo contribuiscono a tutelare le risorse naturali e l'ambiente. L'utilizzatore finale è tenuto a smaltire i dispositivi obsoleti conformemente alle prescrizioni nazionali ed internazionali. In alternativa, previo compenso, i prodotti KNF (dispositivi obsoleti) potranno essere ritirati anche da KNF stessa (vedere capitolo Spedizione di ritorno).

4 Dati tecnici

Dati tecnici

Materiali della pompa

Gruppo costruttivo	Materiale
Testata della pompa	PPS
Membrana	Rivestimento in PTFE
Valvole	FPM

Tab.5: Materiali della pompa

Dati pneumatici

Parametro	Valore
Sovrappressione di esercizio max consentita[bar rel.*]	2,5
Vuoto finale[mbar ass.]	< 130
Portata con una pressione atm. [l/min]**	1,5 -7,0 ± 10%

Tab.6: Dati pneumatici

*bar rel. riferiti a 1013 hPa

**Litri in stato normale (1013 hPa, 20 °C)

Raccordi pneumatici

Tipo di pompa	Valore
Laboport N96	NPT 1/8

Tab.7: Raccordi pneumatici

Dati elettrici

Pompa

Parametro	Valore
Tensione [V]	24 CC
Prestazione P [W]	19
Oscillazioni max consentite della tensione di rete	± 10%
Assorbimento di corrente [A]	0,9

Tab.8: Dati elettrici pompa

Alimentatore

Parametro	Valore
Tensione [V]	100-240 CA
Frequenza [Hz]	50/60
Assorbimento di corrente [A]	0,7 A / 100 V CA 0,4 A / 230 V CA

Tab.9: Dati elettrici alimentatore

Peso

Tipo di pompa	Valore [kg]
Laboport N96	1,3

Tab.10: Peso

Altri parametri

Parametro	Valore
Temperatura ambiente consentita[°C]	Da + 5 a + 40
Temperatura del fluido consentita[°C]	Da + 5 a + 40
Dimensioni [L x H x L] [mm]	156 x 119 x 75
Umidità relativa massima consentita dell'ambiente	80% per temperature fino a 31°C, decrescente in modo lineare fino al 50% a 40 °C (non a condensazione).
Massima altezza di installazione [m s.l.m.]	2000
Tipo di protezione pompa	IP40
Avviamentocontro	
- Vuoto [mbar ass.]	< 130
- Pressione [bar rel.*]	2,5

Tab.11:

*bar rel. riferiti a 1013 hPa

5 Descrizione del prodotto e funzionamento

- 1 Scarico
- 2 Ingresso
- 3 Pulsante/manopola
- 4 Ammortizzatore
- 5 Raccordo per tubo

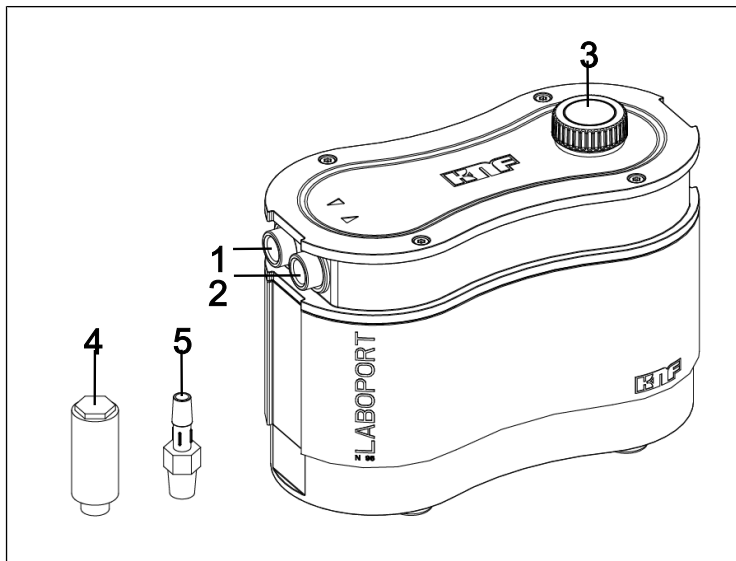


Fig. 1: Laboport N96

Il pulsante/manopola (3) consente di accendere e spegnere la pompa, oltre a regolare la portata (vedere 8.1 *Informazioni sull'attivazione e la disattivazione della pompa* [▶ 27]).

La pompa è isolata dalle vibrazioni, per cui è consentito un leggero movimento dell'ingresso (2) e dello scarico (1) rispetto alle altre parti della carcassa.

Funzionamento pompa a membrana

- 1 Valvola di scarico
- 2 Valvola di aspirazione
- 3 Camera di compressione
- 4 Membrana
- 5 Eccentrico
- 6 Biella

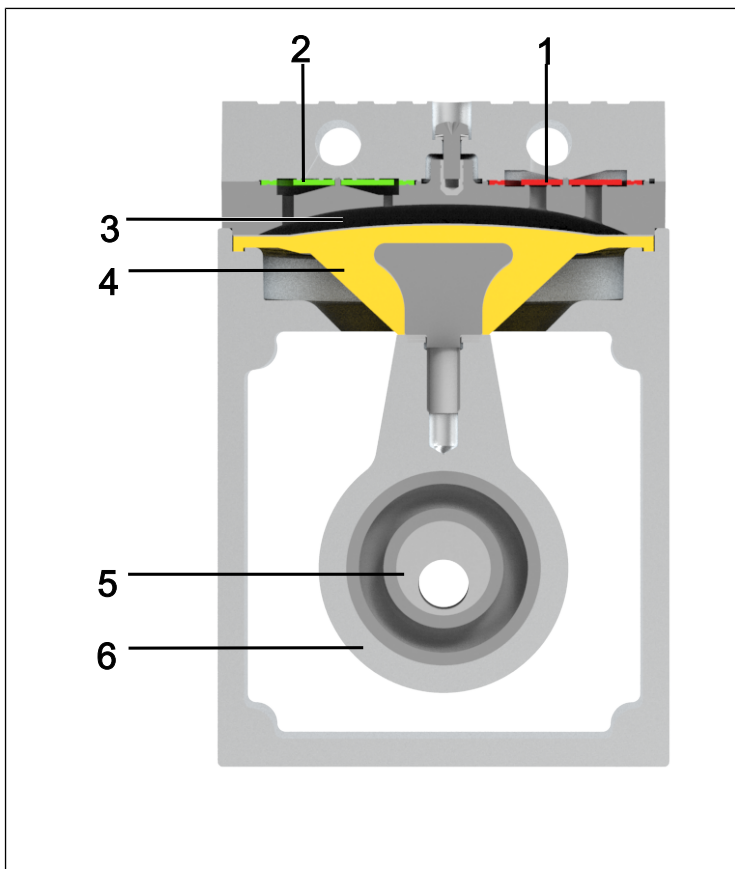


Fig.2: Funzionamento pompa a membrana

Le pompe a membrana convogliano, comprimono (in base alla versione) ed evacuano gas e vapori.

La membrana elastica (4) viene spostata verso l'alto e verso il basso dall'apposito eccentrico (5) e dalla biella (6). Nella corsa discendente, essa aspira il gas da convogliare tramite la valvola di aspirazione (2). Nella corsa ascendente, la membrana espelle il fluido, tramite la valvola di scarico (1), dalla testa della pompa. La camera di compressione (3) è separata dal motore della pompa tramite la membrana.

6 Trasporto

Informazioni generali



CAUTELA

Lesioni e/o danni materiali in caso di trasporto errato o non corretto della pompa

In caso di trasporto errato o non corretto, la pompa può cadere, subire danni o causare lesioni.

- All'occorrenza, utilizzare ausili di tipo idoneo (cinghia da trasporto, dispositivo di sollevamento ecc.).
- All'occorrenza, indossare appropriati dispositivi di protezione individuale (ad es. calzature e guanti di sicurezza).



CAUTELA

Pericolo di lesioni in caso di spigoli vivi sull'imballaggio

Afferrando l'imballaggio sugli angoli, oppure prendendolo, c'è il rischio di lesioni da taglio sugli spigoli vivi.

- All'occorrenza, indossare appropriati dispositivi di protezione individuale (ad es. calzature e guanti di sicurezza).

-
- Trasportare la pompa nell'imballaggio originale fino al luogo d'installazione.
 - Conservare l'imballaggio originale della pompa (ad es. per successiva conservazione a magazzino).
 - A consegna avvenuta, verificare che la pompa non presenti danni da trasporto.
 - Documentare per iscritto gli eventuali danni da trasporto.

→ Se necessario, prima della messa in esercizio della pompa rimuovere le sicurezze per il trasporto.

Parametro

Parametro	Valore
Temperatura di conservazione a magazzino[°C]	da + 5 a + 40
Temperatura di trasporto[°C]	Da -10 a +60
Umidità ammessa (senza condensa) [%]	Da 30 a 85

Tab.12: Parametro di trasporto e Parametro di conservazione a magazzino



AVVERTENZA

Prima della messa in servizio, accertarsi che la pompa abbia raggiunto la temperatura ambiente (4 Dati tecnici [p. 14]).

7 Messa in servizio

Collegare la pompa esclusivamente secondo i parametri e le condizioni d'esercizio descritti al capitolo 4 *Dati tecnici* [► 14].

- Attenersi alle avvertenze di sicurezza (vedere capitolo Sicurezza).
- Prima di collegarla, conservare la pompa nel luogo di utilizzo, in modo da portarla a temperatura ambiente (non dovrà formarsi condensa).

Adduzione aria
di raffreddamento



**AVVERTI-
MENTO**

Ustioni causate da superfici ad alta temperatura

Con il surriscaldarsi della pompa, le superfici possono raggiungere alte temperature.

- Nell'installare la pompa, accertarsi che sia garantito un adeguato afflusso e deflusso dell'aria di raffreddamento.

Luogo di utilizzo

- Accertarsi che il luogo di utilizzo sia asciutto e che la pompa sia protetta da acqua piovana, spruzzi, getti e stillicidio, nonché da ulteriori impurità.
- Scegliere un punto sicuro (superficie piana) per la pompa.
- Proteggere la pompa dalla polvere.
- Proteggere la pompa da vibrazioni, urti e danni esterni.
- Accertarsi che l'interruttore di alimentazione si possa azionare agevolmente.

7.1 Preparazione della messa in servizio

Prima di attivare la pompa, assicurare il rispetto dei seguenti punti:

	Presupposti d'esercizio necessari
Pompa	- Collegare correttamente tutti i tubi flessibili
Pompa	- I dati della rete di tensione corrispondono alle indicazioni riportate sulla targhetta dell'alimentatore. - Uscita pompa non chiusa oppure ristretta.

Tab.13: Presupposti d'esercizio per la messa in servizio

IT

7.2 Esecuzione della messa in servizio



CAUTELA

Pericolo di lesioni dovute allo scoppio dei tubi durante le applicazioni sotto pressione a causa delle temperature eccessivamente elevate

Durante il funzionamento della pompa sotto pressione, i tubi che non sono progettati per resistere alle temperature della testata della pompa al rispettivo valore di esercizio possono diventare porosi e scoppiare.

- Utilizzare tubi di mandata termoresistenti per i raccordi pneumatici.
- All'occorrenza, indossare dispositivi di protezione (ad es. guanti protettivi, tappi protettivi per le orecchie).



AVVERTI- MENTO

Lesioni oculari

Qualora ci si avvicini eccessivamente all'ingresso/all'uscita della pompa, vi è rischio di lesioni oculari, causate dal vuoto o dalla sovrappressione.

- Durante l'esercizio, non rivolgere lo sguardo verso l'ingresso/l'uscita pompa.

-
- Utilizzare la pompa esclusivamente secondo i parametri e le condizioni d'esercizio descritti al capitolo 4 *Dati tecnici* [▶ 14].
 - Assicurare l'utilizzo conforme della pompa (vedere capitolo Utilizzo conforme).
 - Prevenire l'utilizzo non conforme della pompa (vedere capitolo Utilizzo non conforme).
 - Attenersi alle avvertenze di sicurezza (vedere capitolo 3 *Sicurezza* [▶ 8]).



AVVERTI- MENTO

Pericolo di scoppio della testa pompa in caso di eccessivo incremento di pressione

- Non superare la sovrappressione massima consentita (vedere *4 Dati tecnici* [▶ 14]).
- Sorvegliare la pressione durante l'esercizio.
- Se la pressione supera quella di lavoro massima consentita per la pompa: arrestare immediatamente la pompa ed eliminare l'anomalia (vedere capitolo Eliminazione anomalie).
- Parzializzare o regolare la portata dell'aria o del gas esclusivamente sulla condotta lato aspirazione, per evitare di oltrepassare la sovrappressione di lavoro massima consentita.
- Se si parzializza o si regola la portata dell'aria o del gas sulla condotta lato mandata, accertarsi che sulla pompa non venga superata la sovrappressione massima consentita.
- Accertarsi che l'uscita pompa non sia chiusa o ristretta.



PERICOLO

Pericolo di miscele gassose pericolose durante il pompaggio

In base al tipo di fluido convogliato, in caso di rottura dei componenti a contatto con il fluido può formarsi una miscela pericolosa, qualora il fluido si mescoli con l'aria all'interno della carcassa del compressore oppure con l'aria ambiente.

- Prima di utilizzare un fluido, verificare la compatibilità dei componenti a contatto con il fluido stesso (vedere capitolo 4 *Dati tecnici* [▶ 14]).

i I superamenti di pressione e i pericoli correlati si potranno prevenire mediante una condotta di by-pass con valvola di scarico pressione, posta tra il lato mandata e il lato aspirazione della pompa. Per ulteriori informazioni consultare il Servizio Assistenza Clienti KNF (per i dati di contatto: consultare il sito www.knf.com).

Fermo della pompa

- In caso di fermo della pompa, creare nelle condotte una normale pressione atmosferica (effettuare lo scarico pneumatico della pompa).

Collegamento della pompa

1. Rimuovere i tappi di protezione dai collegamenti pneumatici della pompa.
2. Montare i componenti accessori del filtro di aspirazione o dell'ammortizzatore (se disponibili).

Funzionamento a vuoto

Per il funzionamento a vuoto collegare il portagomma (vedere Fig. 1/5) sul lato aspirazione e l'ammortizzatore (vedere Fig. 1/4) oppure i componenti del sistema per vuoto sul lato pressione.

Funzionamento sotto pressione

Per il funzionamento sotto pressione collegare il portagomma sul lato pressione e l'ammortizzatore o i componenti del sistema per vuoto sul lato aspirazione.



AVVERTEN- ZA

Sulla pompa sono presenti filettature NPT autosigillanti. Durante il fissaggio degli accessori evitare di serrarli fino alla battuta di finecorsa per evitare danni alla filettatura e alla pompa.

- | | |
|----------------------|---|
| Componenti collegati | 3. Collegare le condotte all'ingresso ed all'uscita pneumatici. |
| Spurgo della pompa | 4. Collegare alla pompa esclusivamente componenti concepiti per i dati pneumatici della pompa (vedere capitolo 4 <i>Dati tecnici</i> [▶ 14]). |
| | 5. In caso di utilizzo come pompa a vuoto: sullo scarico pneumatico della pompa, deviare lo spurgo della pompa in sicurezza. |



AVVERTEN- ZA

Raggi di curvatura del tubo eccessivamente stretti possono compromettere la stabilità della pompa.



AVVERTEN- ZA

Fissare i raccordi lato mandata con un dispositivo di bloccaggio (ad es. fascetta per tubi/fascetta stringitubo) per evitare che i tubi possano scivolare dal raccordo.

6. Inserire l'insero spina adatto nell'alimentatore .



AVVERTEN- ZA

Utilizzare la pompa esclusivamente con l'alimentatore SELV incluso nella fornitura.

7. Collegare la pompa all'alimentatore.

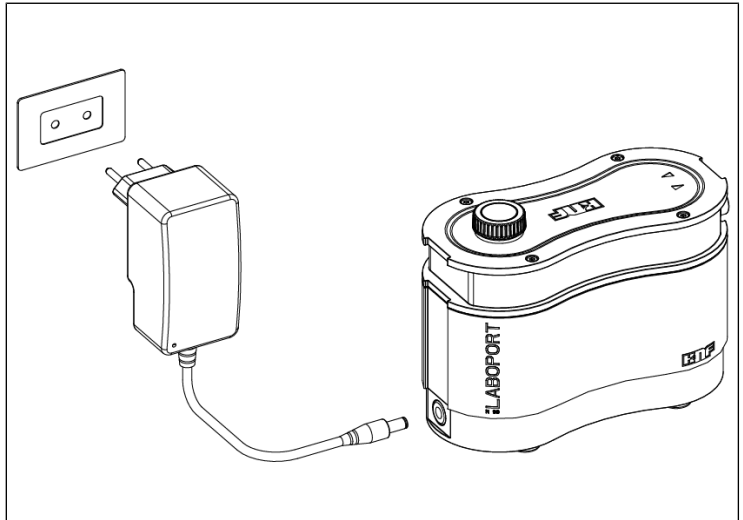


Fig. 3: Collegamento del connettore alla pompa

8. Inserire la spina dell'alimentatore in una presa con messa a terra installata correttamente.

8 Funzionamento

8.1 Informazioni sull'attivazione e la disattivazione della pompa

Attivazione della pompa

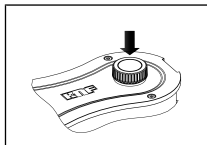


Fig.4: Attivazione/
disattivazione della
pompa

- Accertarsi che all'attivazione la pressione o il vuoto specifici (vedere 4 *Dati tecnici* [▶ 14]) nelle condotte non vengano superati.
- Attivare la pompa premendo il pulsante/manopola (vedere Fig. 1/3, vedere Fig. 4).

Regolazione della portata

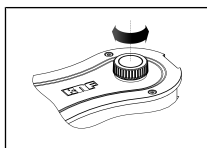


Fig.5: Regolazione
della portata

Utilizzando il pulsante/manopola è possibile variare il regime della pompa. In tale modo si potrà regolare la portata (vedere Fig. 5).

- Il regime regolato tramite il pulsante/manopola verrà mantenuto anche disattivando la pompa.

Disattivazione/messa fuori servizio della pompa

- Qualora vengano convogliati gas aggressivi, effettuare il lavaggio della pompa prima di disattivarla (vedere capitolo 9 *Manutenzione* [▶ 29]), per far durare più a lungo la membrana.
- Disattivare la pompa utilizzando il pulsante/manopola (vedere capitolo Fig. 4).
- Creare nelle condotte una normale pressione atmosferica (effettuare lo scarico pneumatico della pompa per allungarne la durata).
- Staccare l'alimentatore della pompa dalla presa con messa a terra.





AVVERTI- MENTO

Riavvio automatico dopo un'interruzione di corrente

In caso di interruzione di corrente, la pompa si riavvia automaticamente.

→ Se necessario, adottare le misure di sicurezza appropriate.

9 Manutenzione



Componenti sensibili alle cariche elettrostatiche (ESDS)

La mancata osservanza delle normative di sicurezza ESD ai sensi di IEC 61340-5-1 può comportare un danno parziale o totale della pompa.

- Far eseguire la manutenzione della pompa solo da personale qualificato in un'area protetta da scariche elettriche (EPA) ai sensi della normativa IED 61340-5-1.



Riparazione della pompa

In caso di mancata osservanza delle disposizioni e delle norme legislative valide in loco, nonché a causa di interventi di personale non istruito o addestrato, le pompe possono subire danni materiali.

- La riparazione può essere eseguita solo conformemente alle disposizioni (ad es. sicurezza sul lavoro, tutela ambientale) e alle norme legislative.
- La riparazione può essere eseguita solo da personale specializzato o istruito e addestrato.

9.1 Piano di manutenzione

Componente	Intervallo di manutenzione
Pompa	<p>→ Verificare con regolarità che la pompa non presenti esternamente danni o perdite.</p> <p>→ Verificare con regolarità che non siano presenti evidenti variazioni di rumorosità e vibrazioni.</p>
Membrana e piastre portavalvola/guarnizioni	→ Sostituire al più tardi quando si nota un calo nelle prestazioni della pompa.

Tab. 14: Piano di manutenzione

9.2 Pulizia



**AVVERTEN-
ZA**

Durante le operazioni di pulizia accertarsi che non penetri liquido all'interno della carcassa.

9.2.1 Lavaggio della pompa

- Prima di disattivarla, lavare la pompa alla pressione ambiente per circa 5 minuti con aria (se necessario per ragioni di sicurezza: utilizzare un gas inerte).

9.2.2 Pulizia della pompa

- Pulire la pompa esclusivamente con un panno umido e con detergenti non infiammabili.
- Se è presente aria compressa, soffiare i componenti.

9.3 Sostituzione della membrana e delle piastre portavalvola

- Presupposti
- Scollegare la pompa dalla rete e assicurare l'assenza di tensione.
 - Pulire la pompa e rimuovere eventuali sostanze pericolose.
 - Rimuovere i tubi dai lati di aspirazione e mandata della pompa.
 - Rimuovere eventuali componenti accessori come ammortizzatore, filtro di aspirazione, ecc. dai raccordi del gas.

Parti di ricambio/
Utensili

Parte di ricambio/Utensile	Quantità
Kit parti di ricambio*	1
Cacciavite Torx TX10 con indicazione della coppia di serraggio	1

Tab. 15: Ricambi/Utensili

*come da capitolo 10 Parti di ricambio e accessori [► 41]

Avvertenze relative alla procedura
Membrana e piastre portavalvola/guarnizioni sono gli unici componenti soggetti a usura delle pompe, e possono essere sostituite facilmente.

Di principio piastre portavalvola/guarnizioni e membrana dovrebbero essere sostituite contemporaneamente. Se, quando si sostituisce la membrana, non vengono sostituite anche piastre portavalvola/guarnizioni, neppure dopo la manutenzione possono essere garantite le prestazioni nominali della pompa.



AVVERTI- MENTO

Pericolo per la salute a causa di sostanze pericolose all'interno della pompa

In base al tipo di fluido convogliato, sono possibili irritazioni o intossicazioni.

→ All'occorrenza, indossare dispositivi di protezione, ad es. guanti e occhiali protettivi.

→ Pulire la pompa con misure idonee.



CAUTELA

Ustioni causate da elementi pompa ad alta temperatura

Dopo l'esercizio della pompa, la testa pompa o il motore potranno essere ancora caldi.

→ Lasciar raffreddare la pompa dopo l'esercizio.

La sostituzione di membrana e portavalvola/guarnizioni deve essere eseguita nella seguente sequenza:

a.) Aprire la carcassa della pompa

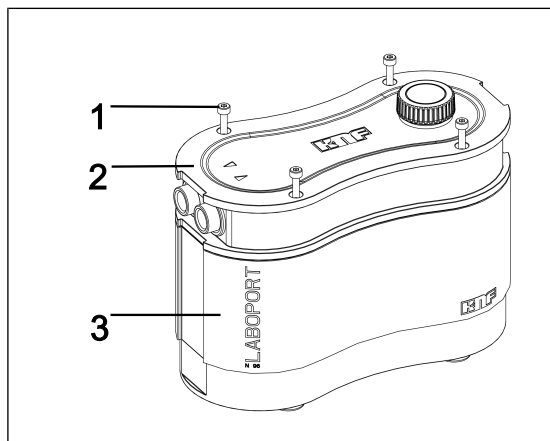


Fig.6: Aprire la carcassa

1. Allentare le quattro viti della carcassa (Fig. 6/1) und entnehmen Sie diese aus dem Gehäusedeckel (2) (vedere Fig. 7).
Conservare le viti per il successivo rimontaggio.

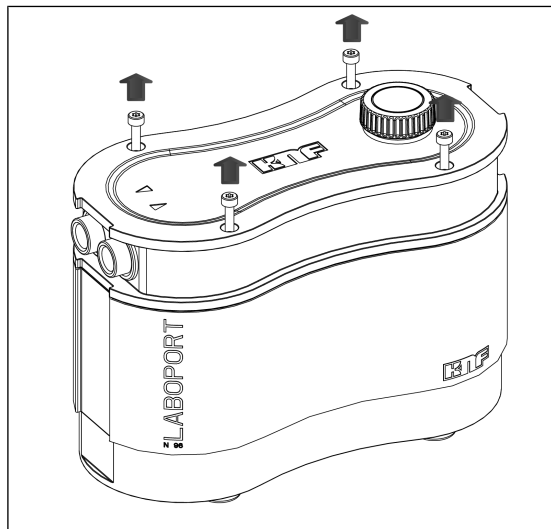


Fig.7: Allentare le viti della carcassa



**AVVERTEN-
ZA**

Eeguire i seguenti passaggi in un'area protetta da scariche elettriche (EPA).

2. Spingere il coperchio della carcassa (2) sui raccordi gas (vedere Fig. 8).

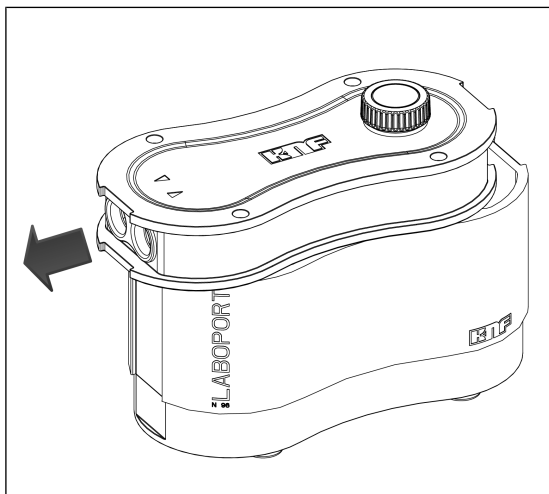


Fig.8: Spingere il coperchio della carcassa sui raccordi gas (aprire la pompa)

3. Rimuovere il coperchio della carcassa (2) facendo attenzione e posizionarlo vicino alla carcassa della pompa (3) (vedere Fig. 9).
- i** Rimuovendo il coperchio della carcassa (2) fare attenzione a non esercitare forze di trazione significative sui cavi e a non danneggiarli

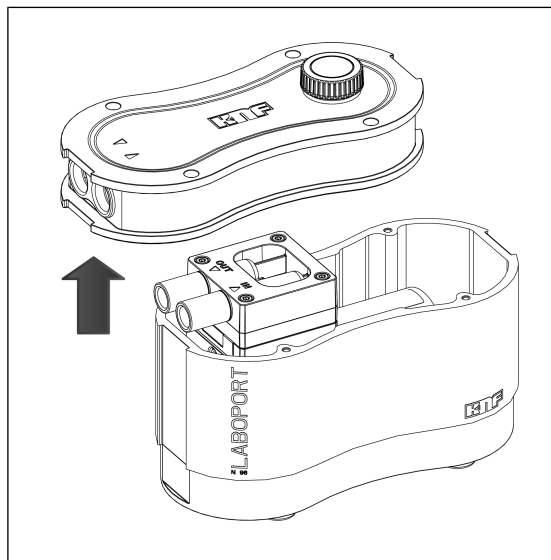


Fig.9: Rimozione del coperchio della carcassa

I numeri di posizione nelle seguenti disposizioni operative fanno riferimento alla Fig. 10.

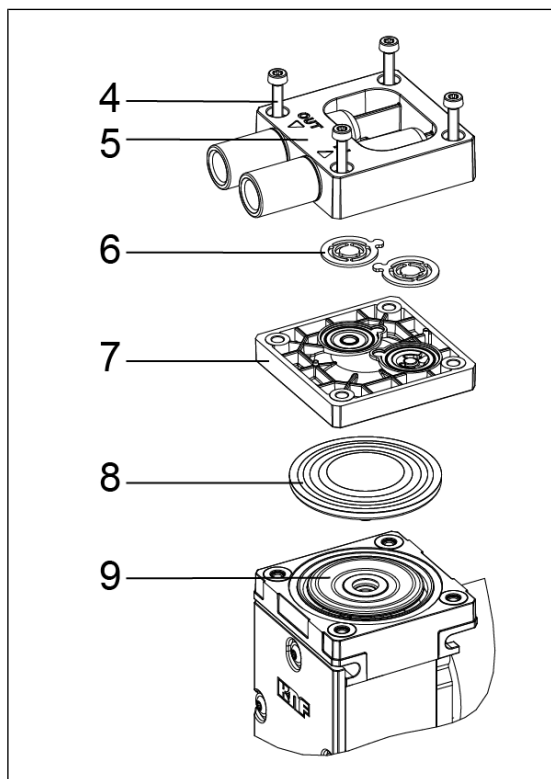


Fig.10: Vista esplosa

b.) Smontaggio della testata della pompa

→ Allentare le quattro viti del coperchio della testata (4) e rimuovere il coperchio della testata (5) insieme alla piastra intermedia(7) dalla carcassa della pompa.

c.) Sostituzione della membrana

1. Sollevare la membrana (8) dai bordi laterali opposti. Afferrare quindi la membrana (8) e sposterla (8) nel punto di inversione superiore. Avvitare quindi la membrana (8) in senso antiorario.
2. Controllare che sui componenti non siano presenti impurità e, all'occorrenza, pulirle (vedere il capitolo 9.2 *Pulizia* [▶ 30]).

3. Avvitare la nuova membrana (8) sulla biella (9) (in senso orario) e avvitare la membrana (8) a mano.

i Avvitando la membrana (8) fare attenzione a non girarla eccessivamente.
Se si gira eccessivamente la membrana sussiste il pericolo di danneggiarla.

d.) Sostituzione delle piastre portavalvola

1. Separare il coperchio della testata (5) dalla piastra intermedia (7).
2. Rimuovere dal coperchio della testata (5) portavalvola/guarnizioni (6).
3. Controllare che le sedi delle valvole, la piastra intermedia (7) e il coperchio della testata (5) siano puliti; in caso di irregolarità, graffi e corrosione, i componenti devono essere sostituiti (contattare il Servizio Assistenza Clienti KNF).

i Introdurre nuove piastre portavalvola/guarnizioni (6) nelle sedi valvole della piastra intermedia (7); le piastre portavalvola/guarnizioni (6) per lato mandata e lato aspirazione sono identiche. Lo stesso vale per il lato superiore e inferiore delle piastre portavalvola/guarnizioni (6).

4. Spostando leggermente in orizzontale piastre portavalvola/guarnizioni (6), accertarsi che non siano fissate.
5. Accertarsi che piastre portavalvola/guarnizioni (6) siano centrate nelle sedi delle valvole della piastra intermedia (7).
6. Una volta sostituita la membrana, smaltire portavalvola/guarnizioni nel modo corretto.

e.) Montaggio della testata della pompa

1. Posizionare la piastra intermedia (7) con portavalvola/guarnizioni (6) sulla carcassa.
 2. Posizionare il coperchio della testata (5) sulla piastra intermedia (7) secondo il centraggio.
- i** Montare la testata della pompa sulla carcassa del compressore secondo l'orientamento dei raccordi del gas.
3. Serrare le viti (4) in sequenza incrociata (coppia di serraggio: 190-200 Ncm).

f.) Chiudere la carcassa della pompa

1. Posizionare il coperchio della carcassa (Fig. 6/2) sulla carcassa della pompa (3) con cautela (vedere Fig. 11).

i Fare attenzione che i cavi si trovino all'interno della carcassa della pompa (3) e a non danneggiare la scheda del circuito stampato.

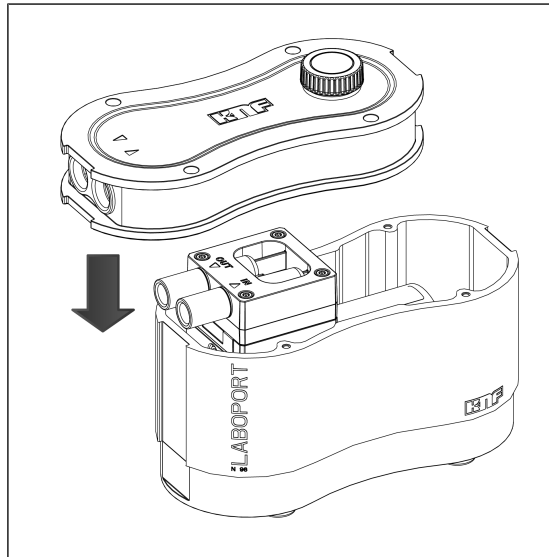


Fig. 11: Applicazione del coperchio della carcassa

2. Spingere il coperchio della carcassa (2) sui raccordi del gas finché la forma geometrica del coperchio della carcassa (2) non corrisponde con quella della carcassa della pompa (3) (vedere Fig. 12).

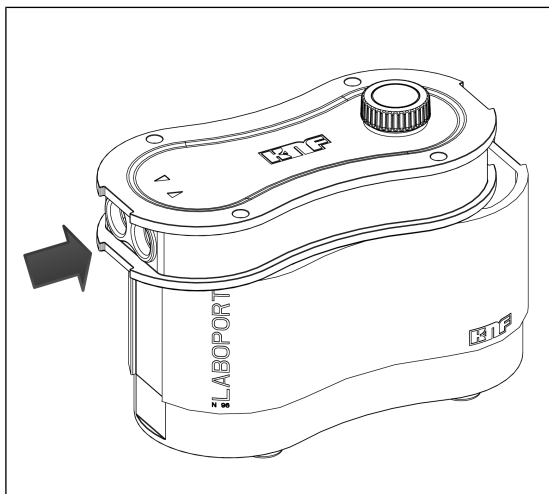


Fig.12: Spingere il coperchio della carcassa sui raccordi gas (chiudere la pompa)

3. Serrare le quattro viti della carcassa (1) in sequenza incrociata (coppia di serraggio: 190 – 200 Ncm) (vedere Fig. 13).

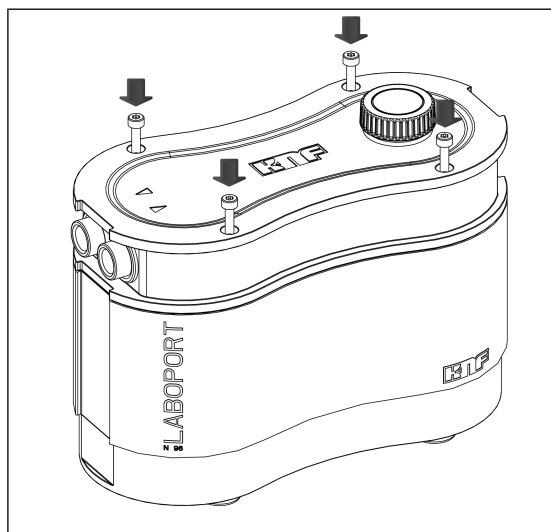


Fig.13: Avvitare le viti della carcassa

g.) Passaggi conclusivi



AVVERTI- MENTO

Pericolo di lesioni e di intossicazione dovute ad anermeticità

- Prima di rimettere in servizio la pompa, verificare la tenuta delle testate della pompa e dei raccordi pneumatici. In caso di anermeticità, sussiste il pericolo di intossicazione, irritazioni o lesioni simili.

-
1. Avvitare eventuali componenti accessori come ammortizzatore, filtro di aspirazione, ecc. nei raccordi del gas.
 2. Controllare il funzionamento.
 - Collegare i raccordi del gas alla pompa.
 - Collegare la pompa all'alimentazione di corrente.
 - Controllare il funzionamento della pompa (incluso il vuoto finale).
 - Staccare nuovamente la pompa dai collegamenti elettrici e pneumatici.
 3. Installare la pompa come da *7 Messa in servizio [▶ 20]* nella posizione desiderata.
 - Collegare i raccordi del gas alla pompa.
 - Collegare la pompa all'alimentazione di corrente.
 - Controllare il funzionamento della pompa (incluso il vuoto finale).

In caso di domande concernenti la manutenzione, contattare il Servizio Assistenza Clienti KNF (per i dati di contatto, consultare il sito www.knf.com).

10 Parti di ricambio e accessori

i Per ordinare parti di ricambio e accessori rivolgersi al proprio partner commerciale KNF oppure al Servizio Assistenza Clienti KNF (per i dati di contatto, consultare il sito www.knf.com).

10.1 Parti di ricambio

Kit parti di ricambio

Un kit parti di ricambio è composto da:

Kit parti di ricambio

Kit parti di ricambio	Cod. ordine
Laboport N96	322636

Tab. 16: Kit parti di ricambio

Un kit parti di ricambio è composto da:

Componenti	Quantità
Membrana	1
Piastre portavalvola/ guarnizioni	2

Tab. 17: Parti di ricambio

Ulteriori parti di ricambio	Cod. ordine
Kit alimentatore	323457
Kit ammortizzatore e raccordo per tubo ID6, PP	323456

Tab. 18: Ulteriori parti di ricambio

10.2 Accessori

Accessori	Cod. ordine
Supporto stativo	323484

Tab.19: Accessori

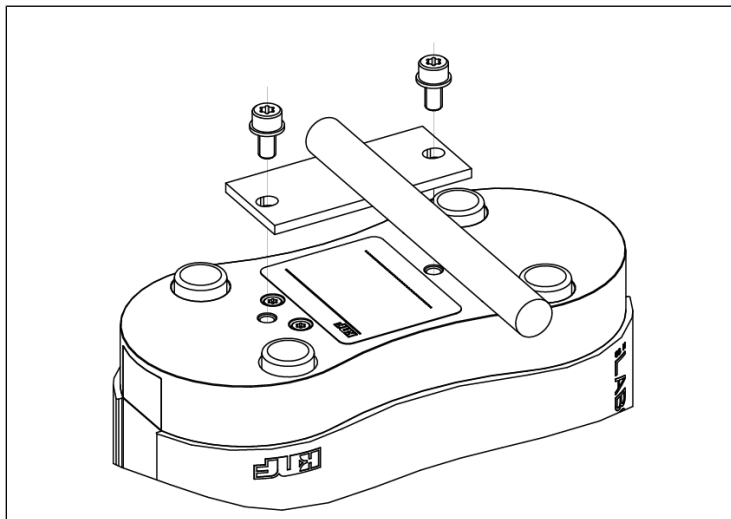


Fig.14: Pompa con supporto stativo

11 Eliminazione delle anomalie



Pericolo di morte dovuto a folgorazione

- Tutti gli interventi sulla pompa devono essere svolti esclusivamente da personale specializzato autorizzato.
- Prima di effettuare interventi sulla pompa: Scollegare la pompa dall'alimentazione di tensione.
- Controllare e verificare l'assenza di tensione.

→ Controllare la pompa (vedere le tabelle seguenti).

La pompa non convoglia	
Causa	Eliminazione anomalia
Assenza di tensione nella rete elettrica.	→ Controllare l'apparecchio salvavita e, all'occorrenza, attivarlo.
La protezione dalle sovratemperature della pompa è intervenuta	→ Prelevare la pompa dalla rete elettrica. → Lasciar raffreddare la pompa. → Determinare la causa del surriscaldamento ed eliminarla.
I raccordi o le condotte sono bloccati.	→ Controllare i raccordi e le condotte. → Rimuovere il blocco.
La valvola esterna è chiusa, oppure il filtro è ostruito.	→ Controllare le valvole esterne e il filtro.
Nella testa pompa si è raccolta condensa.	→ Scollegare dalla pompa la fonte di condensa. → Effettuare il lavaggio della pompa con aria, per alcuni minuti, a pressione atmosferica (se necessario per ragioni di sicurezza, utilizzare un gas inerte).
La membrana, oppure le piastre portavalvola/le guarnizioni, sono logore.	→ Sostituire la membrana e le piastre portavalvola/le guarnizioni (vedere capitolo 9.3 <i>Sostituzione della membrana e delle piastre portavalvola</i> [▶ 31]).

Tab.20: Eliminazione anomalia: La pompa non convoglia

Portata, pressione o vuoto insufficienti	
La pompa non raggiunge la potenza riportata nei dati tecnici o nella scheda tecnica.	
Causa	Eliminazione anomalia
Nella testa pompa si è raccolta condensa.	<ul style="list-style-type: none"> → Scollegare dalla pompa la fonte di condensa. → Effettuare il lavaggio della pompa con aria, per alcuni minuti, a pressione atmosferica (se necessario per ragioni di sicurezza, utilizzare un gas inerte). → Se presente, aprire la valvola gas ballast ed effettuare il lavaggio della testa pompa.
Sul lato mandata, vi è sovrappressione; sul lato aspirazione, contemporaneamente, il vuoto, oppure una pressione superiore a quella atmosferica.	<ul style="list-style-type: none"> → Modificare le condizioni pneumatiche.
Le condotte pneumatiche o gli elementi di collegamento hanno sezione troppo ridotta, oppure sono parzializzati.	<ul style="list-style-type: none"> → Per rilevare i valori prestazionali, scollegare la pompa dal sistema. → All'occorrenza, sospendere la parzializzazione (ad es. valvola). → All'occorrenza, impiegare condotte o elementi di collegamento di sezione maggiore.
Punti di perdita sui raccordi, sulle condotte o sulla testa pompa.	<ul style="list-style-type: none"> → Accertarsi che i tubi flessibili siano correttamente posizionati sui relativi nipples. → Accertarsi che i raccordi siano montati correttamente. → Sostituire i tubi flessibili anermetici. → Eliminare i punti di perdita.
I raccordi o le condotte sono totalmente o parzialmente ostruiti.	<ul style="list-style-type: none"> → Controllare i raccordi e le condotte. → Rimuovere eventuali ostruzioni causate da parti e particelle.
Alcune parti della testa presentano contaminazioni.	<ul style="list-style-type: none"> → Pulire gli elementi della testa.

Portata, pressione o vuoto insufficienti	
La pompa non raggiunge la potenza riportata nei dati tecnici o nella scheda tecnica.	
Causa	Eliminazione anomalia
La membrana, oppure le piastre portavalvola/le guarnizioni, sono logore.	→ Sostituire la membrana e le piastre portavalvola/le guarnizioni (vedere capitolo 9.3 <i>Sostituzione della membrana e delle piastre portavalvola</i> [▶ 31]).
Membrana e piastre portavalvola/guarnizioni sostituite.	→ Controllare la tenuta dei tubi. → Eventualmente serrare le viti esterne della piastra di spinta in sequenza incrociata facendo attenzione.
Il pulsante/manopola non è impostato al massimo regime.	→ Impostare il pulsante/manopola al massimo regime.

Tab.21: Eliminazione anomalia: Portata, pressione o vuoto insufficienti

12 Spedizione di ritorno

Preparazione del reso

1. Effettuare il lavaggio della pompa con aria per alcuni minuti (se necessario per motivi di sicurezza: utilizzare un gas inerte), a pressione atmosferica, per rimuovere dalla testa della pompa gas pericolosi o aggressivi (vedere capitolo 9.2.1 *Lavaggio della pompa* [▶ 31]).
i Contattare il proprio partner commerciale KNF, nel caso in cui non sia possibile lavare la pompa a causa di danneggiamenti.
2. Smontare la pompa.
3. Pulire la pompa (vedere capitolo 9.2.2 *Pulizia della pompa* [▶ 31]).
4. Inviare la pompa a KNF, allegando compilata la Dichiarazione di non nocività e di contaminazione e specificando il tipo di fluido convogliato.
5. Imballare l'apparecchio in maniera sicura, per evitare ulteriori danni al prodotto. All'occorrenza, previo compenso, si potrà richiedere un imballaggio originale.

Reso

KNF si impegna a riparare la pompa solo a condizione che il Cliente presenti un certificato relativo al fluido convogliato ed alla pulizia della pompa. È altresì possibile restituire dispositivi obsoleti ai sensi della Direttiva RAEE. A tale riguardo, attenersi alle istruzioni di cui all'indirizzo knf.com/repairs.

Qualora occorra ulteriore supporto per il proprio Servizio Restituzione, si prega di rivolgersi direttamente al proprio referente commerciale KNF.

13 Indice analitico

A	
Accessori	42
Alimentatore	3, 26, 27
Collegare l'alimentatore.....	25
Insero presa	25
Insero spina.....	3
Altezza di installazione	15
Ambito di fornitura	3
Ammortizzatore	16, 24
Applicazione sotto pressione.....	24
attivazione	27
Avvertenza di pericolo	5
B	
Biella.....	17
C	
Camera di compressione	17
Carcassa della pompa.....	34
Collegamento	10
Condizioni d'esercizio.....	10
Coperchio carcassa.....	33
Coperchio della testata.....	36
D	
Dati elettrici.....	14
Dati pneumatici.....	14
Dimensioni.....	15
Direttive	12
Disposizioni	12
E	
Eccentrico.....	17
Eliminazione anomalie	44
ESD	29
F	
Fermo della pompa.....	24
Fluido	11
Fluidi infiammabili	11
Fluidi pericolosi.....	11
Funzionamento a vuoto	24
Funzionamento sotto pressione....	24
G	
Gruppo target.....	8
I	
Imballaggio	3
Ingresso	16
Insonorizzatore	3
L	
Laboport ® N96	3
Luogo di utilizzo	20
M	
Manutenzione	12, 29
Materiale	14
Membrana.....	17, 36
Messa in servizio	22
Presupposti d'esercizio.....	21
Montaggio	20
N	
Normative	12
O	
Operare nel rispetto delle norme di sicurezza	9

P

Parametri	
Parametri d'esercizio.....	9, 22
Parametro	
Parametro di conservazione a magazzino.....	19
Parametro di trasporto.....	19
Parametro di avviamento.....	15
Parte di ricambio.....	31, 41
Kit parti di ricambio.....	41
Personale.....	8
Personale specializzato.....	12
Peso.....	15
Piastra intermedia.....	36
Piastra portavalvola.....	37
Portagomma.....	3
Portata.....	14, 27
Regolazione della portata.....	27
Prestazione, elettrica.....	14
Prestazione, pneumatica.....	14
Prevenzione degli infortuni.....	9
Pulizia.....	30

R

Raccordo gas.....	14
Raccordo per tubo.....	16
Responsabilità del gestore.....	9
Ricambi originali.....	12
Riparazioni.....	12

S

Scarico.....	16
senza manutenzione.....	12
Servizio Assistenza Clienti.....	12
Smaltimento.....	13
Sostituzione di componenti soggetti a usura.....	31
Sovrappressione di esercizio.....	14
Spurgo della pompa.....	25
Supporto stativo.....	42

T

Temperatura	
Temperatura ambiente.....	15
Temperatura del fluido.....	15
Temperatura di conservazione a magazzino.....	19
Temperatura di trasporto.....	19
Temperatura operativa.....	15
Tipo di protezione pompa.....	15
Trasporto.....	18
Tutela ambientale.....	13

U

Utensile.....	31
---------------	----

V

Valvola di aspirazione.....	17
Valvola di scarico.....	17
Vite del coperchio della testata.....	36
Vite della carcassa.....	33
Vuoto finale.....	14

KNF Neuberger GmbH
Alter Weg 3
79112 Friburgo
Germania
Tel. 07664/5909-0

E-mail: info.de@knf.com
www.knf.com

KNF nel mondo

L'elenco dei nostri partner locali KNF è disponibile all'indirizzo: www.knf.com



Lab

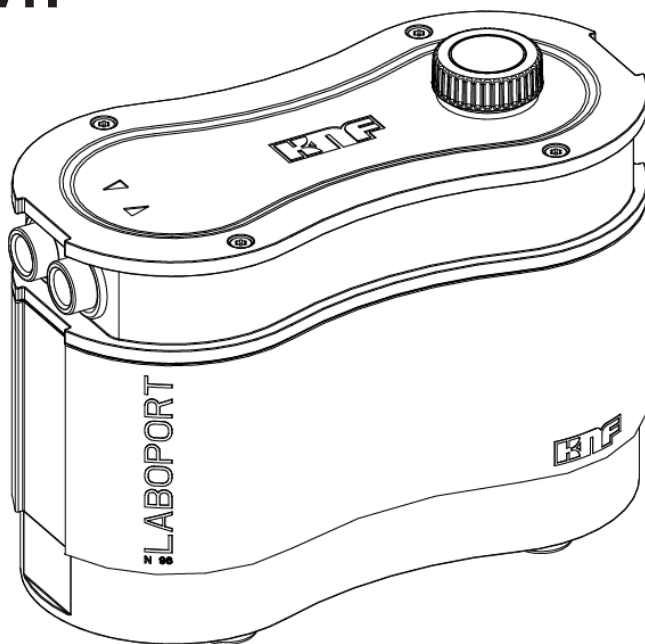
Laboport® N96

**VERTALING VAN DE ORIGINELE
BEDIENINGS- EN INSTALLATIE-
INSTRUCTIES
NEDERLANDS**

LABOPORT®

LABORATORIUMP OMP

NL



Melding!

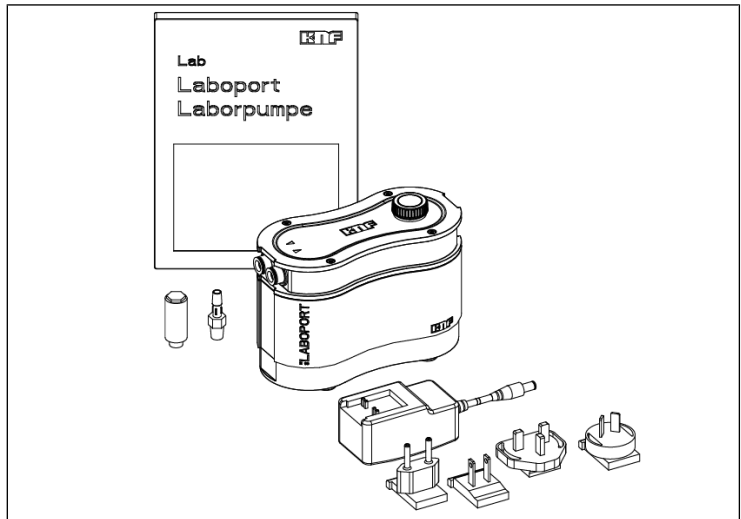
Lees vóór het gebruik van de pomp en het accessoire de bedienings- en montagehandleiding en neem de veiligheidsinstructies in acht!

Inhoudsopgave

1	Leveringsomvang	3
2	Over dit document	4
2.1	Gebruik van de bedieningshandleiding	4
2.2	Uitsluiting van aansprakelijkheid	4
2.3	Productspecifieke documenten	5
2.4	Symbolen en markeringen	5
3	Veiligheid	8
3.1	Personeel en doelgroep	8
3.2	Verantwoordelijkheid van de operator	9
3.3	Veiligheidsbewust werken	9
3.4	Bedrijfsomstandigheden	10
3.5	Media	10
3.6	Richtlijnen en normen	11
3.7	Klantenservice en reparatie	12
3.8	Afvoer	12
4	Technische gegevens	13
5	Productbeschrijving en functie	15
6	Transport	17
	Algemeen	17
7	Ingebruikname	19
7.1	Ingebruikname voorbereiden	20
7.2	Ingebruikname uitvoeren	20
8	Gebruik	26
8.1	Informatie over het in- en uitschakelen van de pomp	26
9	Onderhoud	28
9.1	Onderhoudsplan	29
9.2	Reiniging	29
9.3	Membraan en ventielplaten/dichtingen vervangen	30
10	Reserveonderdelen en accessoires	40
10.1	Reserveonderdelen	40
10.2	Accessoires	41
11	Storing verhelpen	42
12	Retourzending	45
13	Trefwoordenregister	46

1 Leveringsomvang

- Laboport ® N96
- Voeding incl. stekker (EU, US, UK, AU)
- Slangpilaar met NPT-schroefdraad ID6
- Geluïdsdemper
- Bedieningshandleiding
- QuickStart



NL

Pomp uitpakken

1. Controleer de pomp en de meegeleverde accessoires na het uitpakken op transportschade.
2. Als de verpakking beschadigd is, informeer dan het verantwoordelijke transportbedrijf zodat een schaderapport kan worden opgesteld. Meer informatie vindt u in het hoofdstuk 6 *Transport* [▶ 17].

2 Over dit document

2.1 Gebruik van de bedieningshandleiding

De bedieningshandleiding maakt deel uit van de leveringsomvang van de pomp.

- Bij onduidelijkheden over de inhoud van de bedieningshandleiding kunt u contact opnemen met de fabrikant (contactgegevens: zie www.knf.com). Houd daarvoor het type- en serienummer van de pomp bij de hand.
- Lees de bedieningshandleiding voordat u de pomp in gebruik neemt.
- Overhandig de bedieningshandleiding uitsluitend volledig en ongewijzigd aan de volgende gebruiker.
- Houd de bedieningshandleiding altijd bij de hand.

Projectpompen Bij klantspecifieke projectpompen (pomptypen die met "PJ" of "PM" beginnen) kunnen afwijkingen van de bedienings- en montagehandleiding ontstaan.

- Neem bovendien de overeengekomen specificaties voor projectpompen in acht.

2.2 Uitsluiting van aansprakelijkheid

De fabrikant is niet aansprakelijk voor schade en storingen aan het product die het gevolg zijn van het niet in acht nemen van de bedieningshandleiding.

De fabrikant is niet aansprakelijk voor schade en storingen die het gevolg zijn van veranderingen of aanpassingen aan het product of van ondeskundig gebruik.

De fabrikant is niet aansprakelijk voor schade en storingen die het gevolg zijn van het gebruik van verkeerde reserveonderdelen en accessoires.

2.3 Productspecifieke documenten

De genoemde documenten moeten ook in aanmerking worden genomen. De geldige versies zijn beschikbaar op www.knf.com/Downloads.

- Gegevensblad
- 3D-model

Er moet ook worden voldaan aan:

- lokale algemene voorwaarden
- verkoopdocumenten en overeenkomst tussen KNF en de klant.

2.4 Symbolen en markeringen

Waarschuwing melding



**WAAR-
SCHUWING**

Hier vindt u meldingen die u voor gevaar waarschuwen.

Hier vindt u mogelijke gevolgen als u de waarschuwing melding negeert. Het signaalwoord, bijv. waarschuwing, wijst u op een bepaald gevaar.

→ Hier vindt u maatregelen om het gevaar en de gevolgen daarvan te voorkomen.

Gevarenniveaus

Signaalwoord	Betekenis	Gevolgen bij negeren
GEVAAR	waarschuwt voor acuut dreigend gevaar	Dood of zwaar lichamelijk letsel, of ernstige materiële schade is het gevolg.
WAARSCHUWING	waarschuwt voor mogelijk dreigend gevaar	Dood of zwaar lichamelijk letsel, of ernstige materiële schade is mogelijk.
LET OP	waarschuwt voor een mogelijk gevaarlijke situatie	Licht lichamelijk letsel of materiële schade is mogelijk.
MELDING	Waarschuwt voor mogelijke materiële schade	Materiële schade is mogelijk.

Tab. 1: Gevarenniveaus

Overige meldingen en symbolen

→ Hier vindt u een uit te voeren handeling (een stap).

1. Hier vindt u de eerste stap van een uit te voeren handeling.
Andere doorlopend genummerde stappen volgen.

i Dit teken wijst u op belangrijke informatie.

Verklaring van pictogrammen

Pictogram	Betekenis
	Algemeen waarschuwingsteken
	Waarschuwing voor hete oppervlakken
	Waarschuwing voor elektrische spanning
	Waarschuwing voor giftige stoffen
	Waarschuwing voor handletsel door beknelingen
	ESD-beschermd gebied
	Raadpleeg de bedieningshandleiding
	Algemeen verplicht teken
	Netstekker verwijderen
	Voetbescherming gebruiken
	Handbescherming gebruiken
	WEEE Symbool voor de gescheiden inzameling van elektrische en elektronische apparaten. Dit symbool betekent dat dit product niet met het normale huisvuil afgevoerd mag worden.
	Recycling

Tab.2: Verklaring van pictogrammen

3 Veiligheid

i Neem de veiligheidsinstructies in de hoofdstukken 7 *Ingebruikname* [▶ 19] en 8 *Gebruik* [▶ 26] in acht.

3.1 Personeel en doelgroep

Personeel Zorg ervoor dat alleen gespecialiseerd personeel of opgeleid en geïnstrueerd personeel aan de pompen werkt. Dit geldt vooral voor de *ingebruikname* en onderhoudswerkzaamheden.

Zorg ervoor dat het personeel de bedieningshandleiding, met name het hoofdstuk *Veiligheid*, heeft gelezen en begrepen.

Doelgroep	Doelgroep	Definitie
	Gebruiker	Laboratoriummedewerker
	Gespecialiseerd personeel	Gespecialiseerd personeel betreft personen die - een vakopleiding hebben op het vakgebied dat in de betreffende sectie behandeld wordt; - actuele kennis hebben van het vakgebied dat in de betreffende sectie behandeld wordt.

Tab.3: Doelgroep

Tabel: verantwoordelijkheid

Handelingen	Gebruiker	Gespecialiseerd personeel
Transport		X
Opstellen	X	X
Ingebruikname voorbereiden	X	X
Ingebruikname	X	X
Gebruik	X	X
Onderhoud		X
Probleemoplossing		X
Afvoer		X

Tab.4: Tabel: verantwoordelijkheid

3.2 Verantwoordelijkheid van de operator

De pompen zijn volgens de algemeen erkende regels van de techniek en de voorschriften inzake arbeidsbescherming en ongevalpreventie gebouwd. Toch kunnen bij het gebruik gevaren ontstaan die tot lichamelijk letsel van de gebruiker of derden leiden of tot schade aan de pomp of andere eigendommen.

Zorg ervoor dat er geen gevaarlijke situatie, lichamelijk letsel of schade aan de pomp kan ontstaan.

Bedrijfs-parameters Bedien en stel de pompen alleen op volgens de bedrijfsparameters en bedrijfsomstandigheden die beschreven worden in het hoofdstuk 3.4 *Bedrijfsomstandigheden* [► 10] en 4 *Technische gegevens* [► 13].

3.3 Veiligheidsbewust werken

Neem bij alle werkzaamheden aan de pompen en tijdens het gebruik de voorschriften inzake ongevalpreventie en veiligheid in acht.

Vermijd het aanraken van de pompkoppen en onderdelen van de behuizing, omdat de pomp tijdens het gebruik warm wordt.

Zorg er bij werkzaamheden aan de pomp voor dat de pomp van het elektriciteitsnet is losgekoppeld en spanningsvrij is.

Neem bij de aansluiting van de pomp op het elektriciteitsnet de desbetreffende veiligheidsregels in acht.

Stel geen lichaamsdelen bloot aan het vacuüm.

Zorg ervoor dat er geen gevaren ontstaan door luchtstroming bij open gasaansluitingen, geluidseffecten of door hete, corrosieve, gevaarlijke of milieuverontreinigende gassen.

Zorg ervoor dat de installatie van de pomp te allen tijde EMC-conform is en dat hierdoor geen gevaarlijke situatie kan ontstaan.

Voorkom het vrijkomen van gevaarlijke, giftige, explosieve, corrosieve, gevaarlijke of milieuverontreinigende gassen of dampen, bijvoorbeeld door middel van geschikte laboratoriumvoorzieningen met afvoer en ventilatieregeling.

3.4 Bedrijfsomstandigheden

Gebruik de pompen alleen als ze in technisch perfecte staat zijn en in overeenstemming met het beoogde gebruik en de eisen ten aanzien van het veiligheids- en risicobewustzijn, met inachtneming van de bedieningshandleiding.

De pompen mogen alleen worden gebruikt als ze compleet zijn gemonteerd en geleverd.

Zorg ervoor dat de installatieplaats droog is en de pomp tegen regen, spat-, stuw-, en druppelwater en andere verontreinigingen is beschermd.

Controleer regelmatig de dichtheid van de verbindingen tussen leidingen/slang in de toepassing en de connectie met de pomp (ofwel schakelleiding van de pomp). Bij lekkende verbindingen bestaat het gevaar dat gevaarlijke gassen en dampen uit het pompsysteem vrijkomen.

De op de pompen aan te sluiten componenten moeten zijn berekend op de technische gegevens van de pompen.

3.5 Media

Vereisten voor de getransporteerde media

Controleer vóór het transport van een medium of het medium in het concrete toepassingsgeval veilig kan worden getransporteerd.

Houd hierbij ook rekening met een mogelijke verandering van de aggregatietoestand (condensatie, kristallisatie).

Controleer vóór het gebruik van een medium of dit medium compatibel is met de onderdelen op het systeem die hiermee in contact komen (zie 4 *Technische gegevens* [▶ 13]).

Transporteer alleen gassen die onder de in de pomp optredende drukken en temperaturen stabiel blijven.

Omgang met gevaarlijke media

Bij een breuk van het membraan en/of lekkage vermengt het getransporteerde medium zich met de lucht in de omgeving en/of in de behuizing van het vacuümsysteem. Zorg ervoor dat hieruit geen gevaarlijke situatie kan ontstaan.

Neem bij het transporteren van gevaarlijke media de veiligheidsvoorschriften voor de omgang met deze media in acht.

Omgang met brandbare media

Houd er rekening mee dat de pomp niet explosie veilig is.

Zorg ervoor dat de temperatuur van het medium altijd voldoende onder de ontstekingstemperatuur van dit desbetreffende medium ligt om een ontsteking of explosie te voorkomen. Dit geldt ook voor buitengewone bedrijfssituaties.

Let er daarbij op dat de temperatuur van het medium stijgt als de pomp het medium comprimeert.

Zorg er daarom voor dat de temperatuur van het medium, ook bij compressie tot de maximaal toegestane bedrijfsoverdruk van het vacuümsysteem, voldoende onder de ontstekingstemperatuur van dit betreffende medium blijft. De maximaal toegestane bedrijfsoverdruk van het vacuümsysteem wordt in hoofdstuk 4 *Technische gegevens* [▶ 13] aangegeven.

Let erop dat de toegestane omgevingstemperatuur (zie 4 *Technische gegevens* [▶ 13]) niet wordt overschreden.

Houd evt. rekening met externe energiebronnen (bijv. stralingsbronnen) die het medium extra kunnen verhitten.

Neem bij twijfel contact op met de KNF-klantenservice.

3.6 Richtlijnen en normen

EU/EG-
richtlijnen/
-normen



De pompen voldoen aan de richtlijnen/verordeningen:

- 2011/65/EU (RoHS)
- 2014/30/EU (EMC)
- 2006/42/EG (MRL)
- UK Regulation S.I. 2008/1597 Supply of Machinery (Safety)
- UK Regulation S.I. 2016/1091 Electromagnetic Compatibility
- UK Regulation S.I. 2012/3032 Restriction of the Use of Certain Hazardous Substances in Electrical and Electronic Equipment

Er wordt voldaan aan de volgende geharmoniseerde/benoemde normen:

- EN 1012-2
- EN ISO 12100
- EN 61010-1



- EN 61326-1
- EN IEC 63000

De pompen zijn door de TÜV getest:

- UL 61010-1
- CAN/CSA-C22.2 No. 61010-1

Certificaat: No. U8 045055 0021 Rev. 00

3.7 Klantenservice en reparatie

Klantenservice en reparaties De pompen zijn onderhoudsvrij. Maar KNF raadt aan om de pompen regelmatig op opvallende wijzigingen in het geluid en trillingen te controleren.

Laat reparaties aan de pompen alleen door KNF uitvoeren.

Behuizingen, met onder spanning staande onderdelen, mogen alleen door gespecialiseerd personeel worden geopend.

Gebruik bij onderhoudswerkzaamheden alleen originele onderdelen van KNF.

3.8 Afvoer

Milieubescherming/WEEE De pomp en alle reserveonderdelen opslaan conform de milieuvorschriften. Neem de nationale en internationale voorschriften in acht. Dit geldt met name voor onderdelen die zijn verontreinigd met giftige stoffen.



Als u de verpakkingsmaterialen niet meer nodig hebt (bijv. voor een retourzending of voor transport van het vacuümsysteem om een andere reden), voert u deze op een milieuvriendelijke manier af.



Dit product is gemarkeerd overeenkomstig de EU-richtlijn betreffende afgedankte elektrische en elektronische apparatuur (WEEE). Afgedankte apparaten mogen niet met het huisvuil afgevoerd worden. Afvoer en recycling volgens de voorschriften dragen bij aan de bescherming van de natuurlijke hulpbronnen en het milieu. De eindgebruiker is verplicht afgedankte apparaten overeenkomstig de nationale en internationale voorschriften af te voeren. Daarnaast worden KNF-producten (afgedankte apparaten) door KNF ook tegen een vergoeding teruggenomen (zie hoofdstuk Retourzending).

4 Technische gegevens

Technische gegevens

Pompkopmaterialen

Bouwgroep	Materiaal
Pompkop	PPS
Membraan	PTFE-gecoat
Ventielplaten	FPM

Tab.5: Pompmaterialen

Pneumatische gegevens

Parameter	Waarde
Max. toegestane bedrijfsoverdruk [bar g*]	2,5
Eindvacuüm[mbar abs.]	< 130
Pompcapaciteit bij atm. druk [l/min]**	1,5 -7,0 ± 10%

Tab.6: Pneumatische gegevens

*bar rel. gerelateerd aan 1013 hPa

**liter onder atmosferische omstandigheden (1013 hPa, 20 °C)

Gasaansluitingen

Pomptype	Waarde
Laboport N96	NPT 1/8

Tab.7: Pneumatische aansluitingen

Elektrische gegevens

Pomp

Parameter	Waarde
Spanning [V]	24 DC
Vermogen P [W]	19
Max. toegestane netspanningsschommelingen	± 10%
Stroomopname [A]	0,9

Tab.8: Elektrische gegevens pomp

Voeding

Parameter	Waarde
Spanning [V]	100-240 AC
Frequentie [Hz]	50/60
Stroomopname [A]	0,7 A / 100 V AC 0,4 A / 230 V AC

Tab.9: Elektrische gegevens voeding

Gewicht

Pomptype	Waarde [kg]
Laboport N96	1,3

Tab.10: Gewicht

Overige parameters

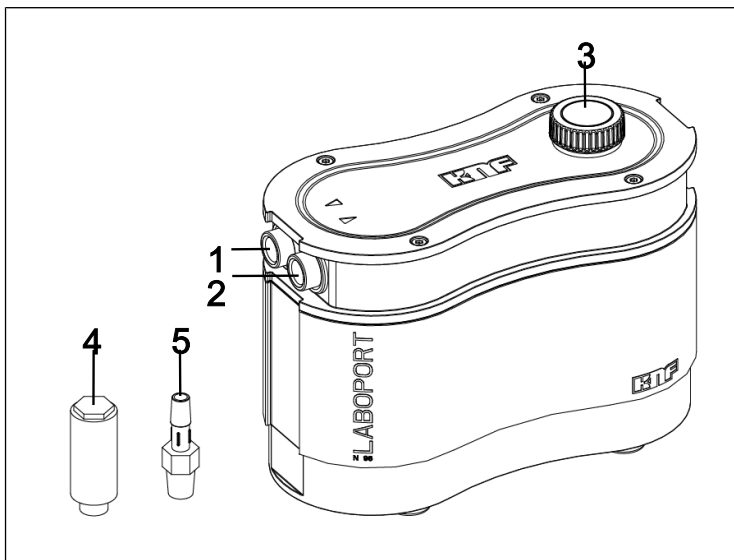
Parameter	Waarde
Toegestane omgevingstemperatuur [°C]	+ 5 tot + 40
Toegestane gastemperatuur [°C]	+ 5 tot + 40
Afmetingen [L x H x B] [mm]	156 x 119 x 75
Maximale toegestane relatieve luchtvochtigheid van de omgeving	80% voor temperaturen tot 31 °C, lineair afnemend tot 50% bij 40 °C (niet condenserend).
Maximale inbouwhoogte [m boven NAP]	2000
Beschermingsklasse pomp	IP40
Starten tegen	
- vacuüm [mbar abs.]	< 130
- druk [bar g*]	2,5

Tab.11:

*bar rel. gerelateerd aan 1013 hPa

5 Productbeschrijving en functie

- 1 Perszijde
- 2 Zuigzijde
- 3 Draai-/drukknop
- 4 Geluidsdemper
- 5 Slangpilaar



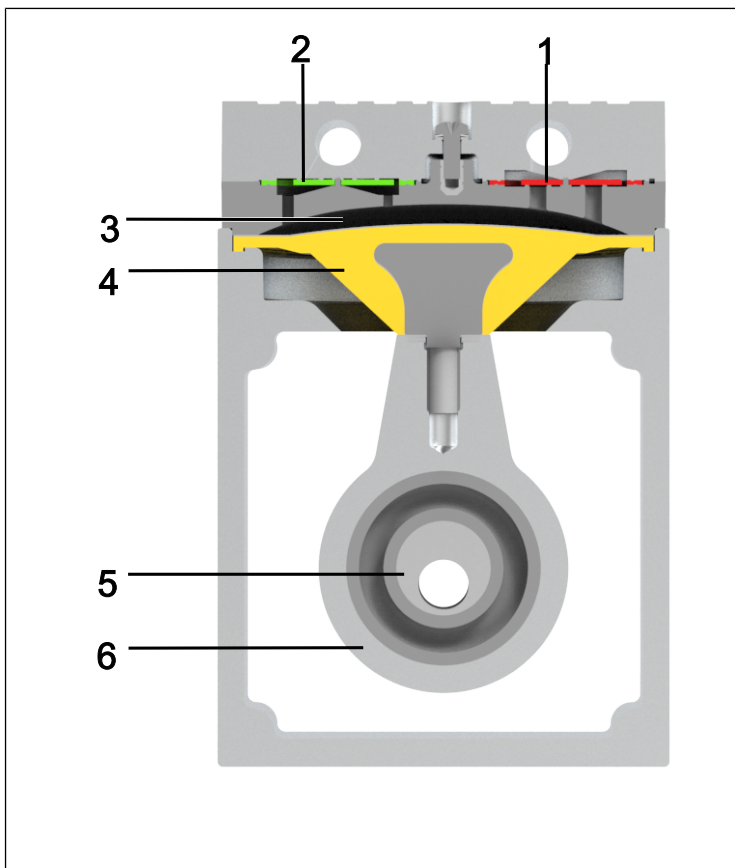
Afb.1: Laboport N 96

De pomp kan met de draai-/drukknop (3) worden in- en uitgeschakeld. Tevens dient deze knop voor de regeling van de afzuigcapaciteit (zie 8.1 Informatie over het in- en uitschakelen van de pomp [▶ 26]).

De pomp is trillingsreducerend gelagerd, waardoor een lichte beweging van de ingang (2) en de uitgang (1) naar de rest van de behuizing mogelijk is.

Functie membraanpomp

- 1 Persventiel
- 2 Zuigventiel
- 3 Trans-
portruimte
- 4 Membraan
- 5 Excentriek
- 6 Drijfstang



Afb.2: Functie membraanpomp

Membraanpompen transporteren, comprimeren (afhankelijk van de uitvoering) en evacueren gassen en dampen.

Het elastische membraan (4) wordt door het excenter (5) en de drijfstang (6) op en neer bewogen. In de neergaande slag zuigt dit het te transporteren gas via het inlaatventiel (2) aan. In de opgaande slag drukt het membraan het medium via het uitlaatventiel (1) uit de pompkop. De transportruimte (3) wordt door de membraan van de pompaandrijving gescheiden.

6 Transport

Algemeen



LET OP

Persoonlijk letsel en/of materiële schade door onjuist of ondeskundig transport van de pomp

Door onjuist of ondeskundig transport kan de pomp omvallen, worden beschadigd of personen verwonden.

- Gebruik indien nodig geschikte hulpmiddelen (draagriem, hefinrichting, enz.).
- Draag indien nodig een passende persoonlijke veiligheidsuitrusting (bijv. veiligheidsschoenen, veiligheidshandschoenen).



LET OP

Kans op letsel door scherpe randen aan de verpakking

Als u de verpakking aan de hoeken vastpakt of de verpakking opent, is er kans op letsel doordat u zich kunt snijden aan de scherpe randen.

- Draag indien nodig een passende persoonlijke veiligheidsuitrusting (bijv. veiligheidsschoenen, veiligheidshandschoenen).

-
- Transporteer de pomp in de originele verpakking naar de installatieplaats.
 - Bewaar de originele verpakking van de pomp (bijv. voor latere opslag).
 - Controleer de pomp na ontvangst op transportschade.
 - Documenteer opgetreden transportschade schriftelijk.

→ Verwijder evt. de transportbeveiligingen vóór de inbedrijfstelling van de pomp.

Parameter

Parameter	Waarde
Opslagtemperatuur [°C]	+5 tot +40
Transporttemperatuur [°C]	-10 tot +60
Toeg. vochtigheid (niet-condenserend) [%]	30 tot 85

Tab.12: Transportparameter en opslagparameter



MELDING

Let er vóór de inbedrijfstelling op dat de pomp de omgevingstemperatuur heeft bereikt (4 *Technische gegevens* 13]).

7 Ingebruikname

Sluit de pomp alleen aan volgens de bedrijfsparameters en -voorwaarden die in hoofdstuk 4 *Technische gegevens* [13] zijn beschreven.

- Neem de veiligheidsinstructies (zie hoofdstuk Veiligheid) in acht.
- Bewaar de pomp vóór de montage/aansluiting op de gebruikslocatie om hem op omgevingstemperatuur te brengen (er mag geen condensatie optreden).

Toevoer van
koellucht



**WAAR-
SCHUWING**

Brandletsel door hete oppervlakken
Door oververhitting van de pomp kunnen er hete oppervlakken ontstaan.

- Let er bij de installatie van de pomp op dat er voldoende toe- en afvoer van koellucht is gegarandeerd.

NL

Gebruikslocatie

- Zorg ervoor dat de gebruikslocatie droog is en de pomp tegen regen, spat-, stuw-, en druppelwater en andere verontreinigingen is beschermd.
- Kies een veilige locatie (vlakke ondergrond) voor de pomp.
- Bescherm de pomp tegen stof.
- Bescherm de pomp tegen trillingen, schokken en uitwendige beschadiging.
- Zorg ervoor dat de netschakelaar gemakkelijk te bereiken is.

7.1 Ingebruikname voorbereiden

Voordat u de pomp inschakelt, moet u het volgende controleren:

	Vereiste bedrijfsomstandigheden
Pomp	- Alle slangen correct aansluiten
Pomp	- Gegevens van het spanningsnet komen overeen met de gegevens op het typeplaatje van de pomp/voeding. - De drukzijde (uitgaande zijde) van de pomp is niet afgesloten of vernauwd.

Tab.13: Bedrijfsvoorwaarden voor ingebruikname

7.2 Ingebruikname uitvoeren



Risico op letsel door het scheuren van de slangen bij druktoepassingen door te hoge temperaturen/drukken

Wanneer de pomp op druk wordt gebruikt, kunnen slangen die niet zijn berekend zijn op de pompkoeltemperaturen, poreus worden en scheuren.

- Gebruik temperatuurbestendige drukslangen voor de pneumatische aansluitingen.
- Draag desgewenst veiligheidsuitrusting, bijv. veiligheidshandschoenen, gehoorbescherming.



WAAR- SCHUWING

Oogletsel

Als de gebruiker zich te dicht bij de in-/uitlaat van de pomp bevindt, kan er oogletsel ontstaan door het heersende vacuüm/de heersende overdruk.

→ Kijk tijdens het gebruik niet in de pompinlaat en -uitlaat.

- Gebruik de pomp alleen bij de bedrijfsparameters en bedrijfsomstandigheden die in hoofdstuk 4 *Technische gegevens* [▶ 13] zijn beschreven.
- Zorg voor een correct gebruik van de pomp (zie hoofdstuk Correct gebruik).
- Sluit incorrect gebruik van de pomp uit (zie hoofdstuk Niet-correct gebruik).
- Neem de veiligheidsinstructies (zie hoofdstuk 3 *Veiligheid* [▶ 8]) in acht.



WAAR- SCHUWING

Gevaar voor barsten in de pompkop door een te grote drukverhoging

- Overschrijd de maximaal toegestane bedrijfsoverdruk (zie 4 *Technische gegevens* [▶ 13]) niet.
- Controleer de druk tijdens het gebruik.
- Als de druk boven de maximaal toegestane bedrijfsdruk van de pomp komt: Schakel de pomp direct uit en verhelp de storing (zie hoofdstuk Storing verhelpen).
- Verminder of reguleer de lucht- of gashoeveelheid alleen aan de zuigkant van de leiding om te voorkomen dat de maximaal toegestane bedrijfsoverdruk wordt overschreden.
- Let erop dat, als de lucht- of gashoeveelheid aan de drukzijde van de leiding wordt verminderd of gereguleerd, de maximaal toegestane bedrijfsoverdruk van de pomp niet wordt overschreden.
- Let erop dat de pompuitlaat niet is gesloten of verstopt.



GEVAAR

Gevaar van gevaarlijke gasmengsels bij gebruik van de pomp

Afhankelijk van het getransporteerde medium, kan bij een breuk van de componenten die in contact komen met media een gevaarlijk mengsel ontstaan als het medium zich met de lucht in de compressorbehuizing of de omgeving vermengt.

- Controleer vóór het gebruik van een medium de compatibiliteit van de componenten die in contact komen met media (zie 4 *Technische gegevens* [► 13]) met het medium.

i Drukoverschrijdingen met de bijbehorende gevaren kunnen door een bypassleiding met drukontlastklep tussen druk- en zuigzijde van de pomp worden voorkomen. Meer informatie wordt verstrekt door de KNF-klantenservice (contactgegevens: zie www.knf.com).

Pompstilstand → Zorg bij uitgeschakelde pomp voor een normale atmosferische druk in de leidingen aan de zuig- en drukzijde van de pomp (pomp pneumatisch ontlasten).

Pomp aansluiten

1. Verwijder de beschermkapjes in de gasaansluitingen van de pomp aan de zuig- en perszijde.
2. Accessoires, aanzuigfilter of geluidsdemper monteren (indien aanwezig).

Vacuümtoepassing Voor vacuümtoepassing draait u de slangpilaar (zie Afb. 1/5) in de zuigzijde van de pomp. De geluidsdemper (zie Afb. 1/4) of uw vacuümsysteemcomponenten draait u in de drukzijde van de pomp.

Druktoepassing Voor druktoepassing draait u de slangpilaar in de drukzijde en de geluidsdemper of uw vacuümsysteemcomponenten in de zuigzijde van de pomp.

**MELDING**

Aan de pomp bevinden zich zelfdichtende NPT-schroefdraden. Let er bij het aandraaien van de accessoires op dat deze niet helemaal tot aan de aanslag worden vastgedraaid om beschadiging van de schroefdraad en de pompkop te voorkomen.

-
3. Sluit de leidingen aan op de pneumatische inlaat en uitlaat.
 - Aangesloten componenten 4. Sluit alleen componenten op de pomp aan die op de pneumatische gegevens van de pomp zijn berekend (zie hoofdstuk 4 *Technische gegevens* [► 13]).
 - Pompuitstoot 5. Bij gebruik als vacuümpomp: Sluit de drukzijde van de pomp veilig aan op de luchtafvoer.

**MELDING**

Een te nauw gekozen slangdiameter kan de stabiliteit van de pomp aantasten.

**MELDING**

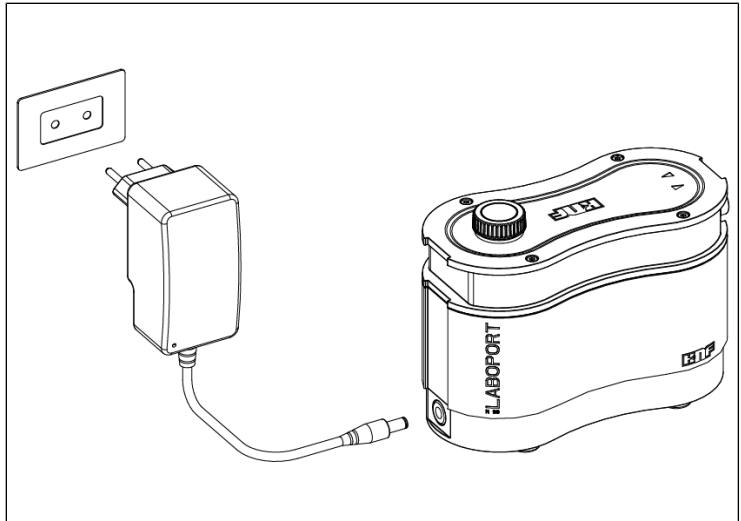
Bevestig de aansluitingen aan de drukzijde met een veiligheidsvoorziening (bijv. slangklep/knelkoppeling) om te voorkomen dat de slangen door de druk loskomen.

-
6. Steek het juiste stekkertype in de voeding.

**MELDING**

De pomp dient alleen in combinatie met SELV-voeding gebruikt te worden.

7. Sluit de pomp op de voeding aan.



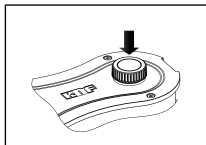
Afb.3: Stekker op pomp aansluiten

8. Steek de stekker van de voeding in een correct geaard stopcontact.

8 Gebruik

8.1 Informatie over het in- en uitschakelen van de pomp

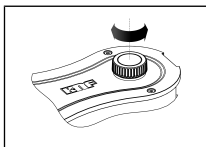
Pomp inschakelen



Afb.4: In-/uitschakelen van de pomp

- Zorg ervoor dat bij inschakeling de gespecificeerde druk of het gespecificeerde vacuüm (zie 4 *Technische gegevens* [▶ 13]) in de leidingen niet wordt overschreden.
- Schakel de pomp door het indrukken van de draai-/drukknop in (zie Afb. 1/3, zie Afb. 4).

Capaciteit instellen



Afb.5: Capaciteit instellen

Met de draai-/drukknop kunt u het toerental van de pomp variëren. Op deze wijze kunt u de capaciteit regelen (zie Afb. 5).

- De toerentalinstelling middels de draai-/drukknop blijft behouden na het uitschakelen van de pomp.

Pomp uitschakelen/uit bedrijf nemen

- Spoel de pomp bij het gebruik van agressieve media voordat u de pomp uitschakelt, om de levensduur van het membraan te verlengen (zie hoofdstuk 9 *Onderhoud* [▶ 28]).
- Schakel de pomp met de draai-/drukknop uit (zie Afb. 4).
- Zorg, indien mogelijk, voor een normale atmosferische druk in de zuig- en drukleidingen (ontlast de pomp pneumatisch om de levensduur van de pomp te verlengen).
- Verwijder de voeding van de pomp uit het gearde stopcontact.





WAAR- SCHUWING

Automatische herstart na onderbreking van de stroomtoevoer

Bij een onderbreking van de stroomtoevoer wordt de pomp automatisch opnieuw gestart.

→ Neem zo nodig passende veiligheidsmaatregelen.

9 Onderhoud



ESD-gevoelige onderdelen (ESDS)

Het niet naleven van de ESD-veiligheidsvoorschriften volgens IEC 61340-5-1 kan leiden tot gedeeltelijke of volledige beschadiging van de pomp.

- Het onderhoud van de pomp dient alleen door een daarvoor gekwalificeerde persoon in een ESD-beschermde gebied (EPA) volgens de richtlijn IEC 61340-5-1 uitgevoerd te worden.



Onderhoud van pomp

Als de toepasselijke wet- en regelgeving niet in acht genomen wordt en er handelingen uitgevoerd worden door niet-geschoold of niet-geïnstreerd personeel, kan er materiële schade aan de pompen ontstaan.

- Het onderhoud mag uitsluitend uitgevoerd worden in overeenstemming met de toepasselijke wet- en regelgeving (bijv. veiligheid op het werk en bescherming van het milieu).
- Het onderhoud mag uitsluitend uitgevoerd worden door gekwalificeerd of geschoold en geïnstreerd personeel.

9.1 Onderhoudsplan

Component	Onderhoudsinterval
Pomp	<ul style="list-style-type: none"> → Controleer de pomp regelmatig op uitwendige beschadigingen of lekkage. → Controleer regelmatig op merkbare veranderingen in geluid en trillingen.
Membraan en ventielplaten/dichtringen	→ Uiterlijk vervangen als de pompcapaciteit afneemt.

Tab.14: Onderhoudsplan

9.2 Reiniging



MELDING

Zorg er bij reinigingswerkzaamheden voor dat er geen vloeistoffen in de behuizing terechtkomen.

9.2.1 Pomp spoelen

- Spoel de pomp vóór het uitschakelen onder atmosferische omstandigheden (omgevingsdruk) ongeveer 5 minuten met lucht (indien nodig om veiligheidsredenen: met een inert gas).

9.2.2 Pomp reinigen

- Reinig de pomp alleen met een vochtige doek en niet-ontvlambare reinigingsmiddelen.
- Blaas de onderdelen schoon als er perslucht aanwezig is.

9.3 Membraan en ventielplaten/dichtingen vervangen

- Voorwaarden
- Koppel de pomp los van het elektriciteitsnet en zorg ervoor dat deze niet onder spanning staat.
 - Reinig de pomp en zorg ervoor dat de pomp geen gevaarlijke stoffen meer bevat.
 - Verwijder de slangen aan de zuig- en drukzijde van de pomp
 - Verwijder zo nodig aanbouwdelen zoals geluidsdemper, aanzuigfilter etc.

Reserveonder-
deel/Gereed-
schapn

Reserveonderdeel/Gereedschap	Aantal
Set reserveonderdelen*	1
Torx TX10-schroevendraaier met draaimomentweergave	1

Tab. 15: Reserveonderdelen/Gereedschap

*volgens hoofdstuk 10 Reserveonderdelen en accessoires [► 40]

Instructies over de handelwijze Membraan en ventielplaten/dichtingen zijn de enige slijtdelen van de pomp. Ze kunnen eenvoudig worden vervangen.

In principe moeten ventielplaten/dichtingen en membraan tegelijkertijd worden vervangen. Als de ventielplaten/dichtingen niet tegelijk met het membraan worden vervangen, is de gespecificeerde capaciteit en het eindvacuüm van de pomp na het onderhoud niet gegarandeerd.



WAAR- SCHUWING

Gevaar voor de gezondheid door gevaarlijke stoffen in de pomp

Afhankelijk van het getransporteerde medium zijn brandwonden of vergiftigingen mogelijk.

- Draag desgewenst een veiligheidsuitrusting, bijv. veiligheidshandschoenen, veiligheidsbril.
- Reinig de pomp door geschikte maatregelen te nemen.



LET OP

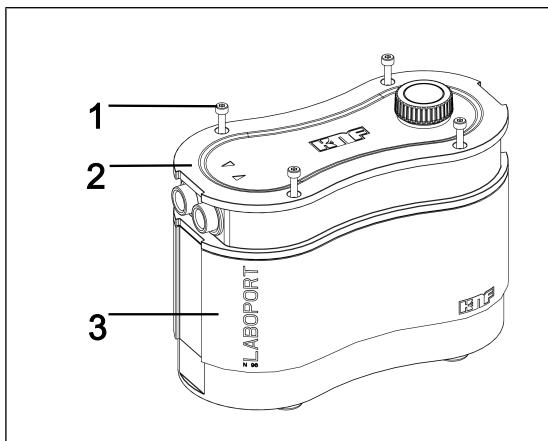
Verbrandingen door hete pomponderdelen

Na het gebruik van de pomp kan de pompkop of de motor nog heet zijn.

- Laat de pomp na gebruik afkoelen.

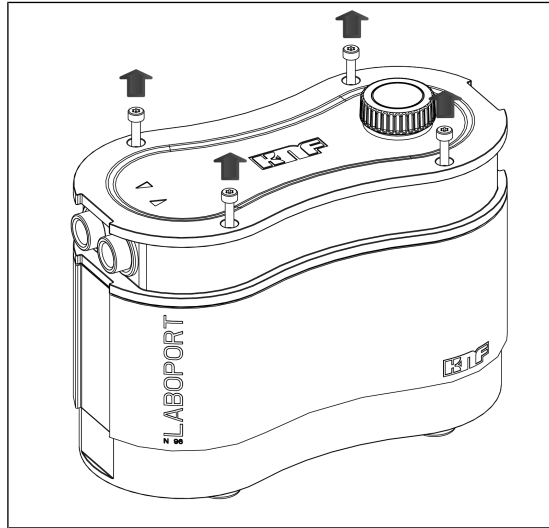
Membraan en ventielplaten/dichtingen dienen in de onderstaande volgorde te worden vervangen:

a.) Pompkop openen



Afb. 6: Pompkop openen

1. Draai de vier pompkopbouten los (Afb. 6/1) und entnehmen Sie diese aus dem Gehäusedeckel (2) (zie Afb. 7).
Bewaar de bouten voor latere montage.



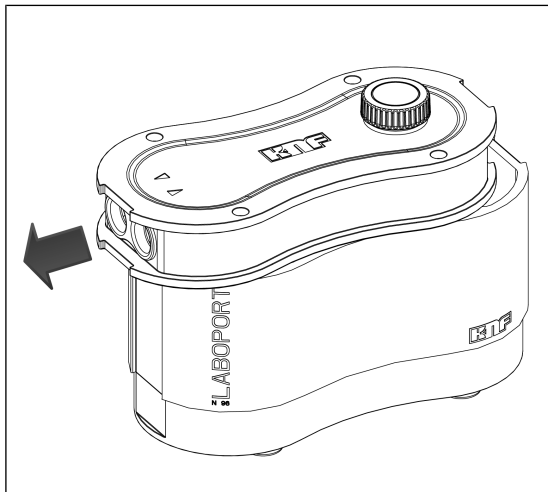
Afb.7: Pompkopbouten losdraaien



MELDING

Zorg ervoor dat u de volgende stappen in een ESD-beschermde gebied (EPA) uitvoert.

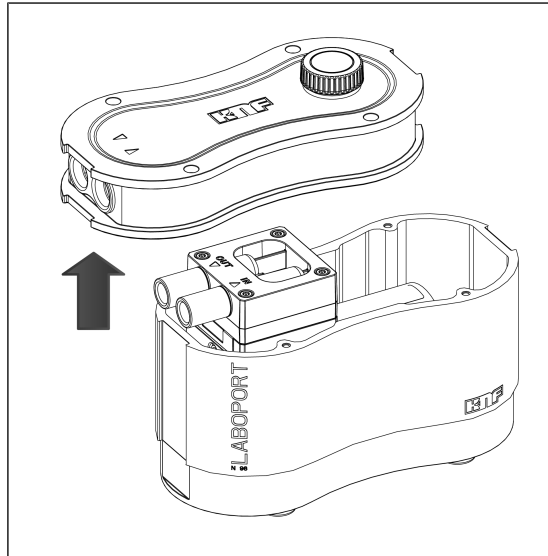
2. Schuif het pompkopdeksel (2) over de gasaansluitingen (zie Afb. 8).



Afb.8: Pompkopdeksel over de gasaansluitingen schuiven (pomp openen)

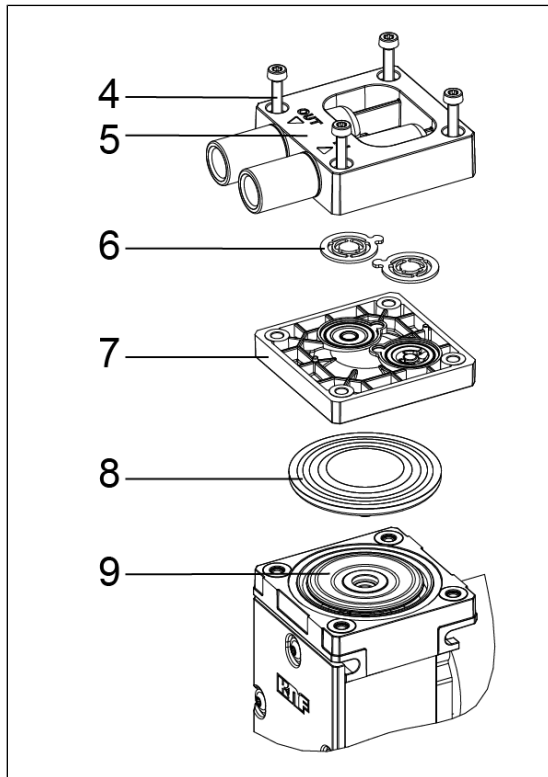
NL

3. Verwijder het pompkopdeksel (2) voorzichtig en leg het naast de pomp (3) (zie Afb. 9).
- i** Let er bij het verwijderen van het pomphuisdeksel (2) op dat er geen grote trekkrachten op de kabels inwerken en dat de kabels niet beschadigd raken



Afb.9: Pomphuisdeksel verwijderen

De positienummers in de volgende werkinstructies hebben betrekking op Afb. 10.



Afb. 10: Opengewerkte tekening

b.) Pompkop demonteren

→ Draai de vier kopdekselboutenn (4) los en verwijder het kopdeksel (5) samen met de tussenplaat (7) van het pomphuis.

c.) Membraan vervangen

1. Til het membraan (8) aan de tegenoverliggende zijranden op. Pak vervolgens het membraan (8) vast en trek het membraan (8) naar de hoogste positie. Schroef het membraan (8) er daarna linksom uit.
2. Controleer alle onderdelen op verontreinigingen en reinig de onderdelen indien nodig (zie hiervoor hoofdstuk 9.2 *Reiniging* [29]).

3. Schroef het nieuwe membraan (8) op de drijfstang (9) (rechtson) en draai het membraan (8) handvast.
i Let er bij het inschroeven van het membraan (8) op dat het niet te strak wordt aangedraaid.
Als het membraan te strak wordt aangedraaid, bestaat het risico dat het beschadigd raakt.

d.) Vervanging ventielplaten

1. Neem het kopdeksel (5) van de tussenplaat (7).
2. Verwijder de ventielplaten/dichtingen (6) van het kopdeksel (5).
3. Controleer de ventielplaatzittingen, tussenplaat (7) en het kopdeksel (5) op verontreinigingen; bij oneffenheden, krassen of corrosie moeten deze onderdelen vervangen worden (neem hiervoor contact op met de KNF-klantenservice).
i Plaats de nieuwe ventielplaten/dichtingen (6) in de ventielplaatzittingen van de tussenplaat (7); de ventielplaat/dichtingen (6) voor de druk- en zuigzijde zijn identiek; hetzelfde geldt voor de boven- en onderkant van de ventielplaten/dichtingen (6).
4. Zorg er door een lichte horizontale beweging van de ventielplaten/dichtingen (6) voor dat deze niet onder spanning staan.
5. Zorg ervoor dat de ventielplaten/dichtingen (6) in de ventielplaatzittingen van de tussenplaat (7) zijn gecentreerd.
6. Vervangen membraan, ventielplaten/dichtingen op de voorgeschreven wijze afvoeren.

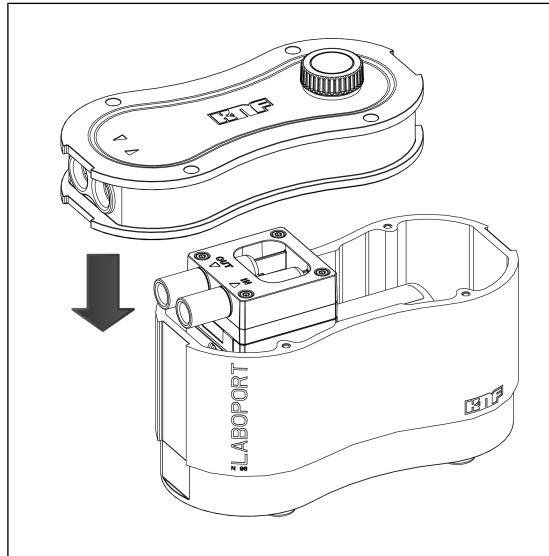
e.) Pompkop monteren

1. Plaats de tussenplaat (7) met ventielplaten/dichtingen (6) op de behuizing.
2. Plaats het kopdeksel (5) op de tussenplaat (7) overeenkomstig de centreringssnokken.
i Plaats de pompkop, met de gasaansluitingen naar de voorzijde van de pomp, op het compressorhuis.
3. Draai de bouten (4) kruiselings vast (aandraaimoment: 190-200 Ncm).

f.) Pomphuis sluiten

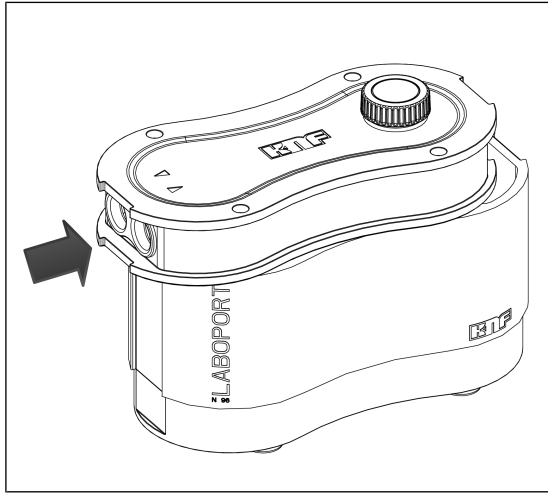
1. Plaats het pomphuisdeksel (Afb. 6/2) voorzichtig op het pomphuis (3) (zie Afb. 11).

i Zorg ervoor dat de kabels zich in het pomphuis (3) bevinden en dat de printplaat niet wordt beschadigd.



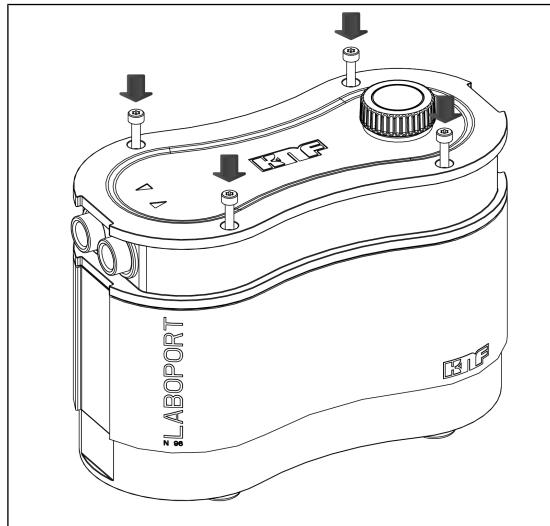
Afb. 11: Pomphuisdeksel plaatsen

2. Schuif het pomphuisdeksel (2) over de gasaansluitingen tot de geometrie van het deksel (2) overeenkomt met die van het pomphuis (3) (zie Afb. 12).



Afb. 12: Pomphuisdeksel over de gasaansluitingen schuiven (pomp sluiten)

3. Schroef de vier pomphuisbouten (1) kruiselings vast (aandraaimoment: 190 – 200 Ncm) (zie Afb. 13).



Afb. 13: Pomphuisbouten vastschroeven

g.) Afsluitende stappen



WAAR- SCHUWING

Gevaar voor letsel en vergiftiging door lekkages

- Controleer vóór de nieuwe inbedrijfstelling van de pomp de lekdichtheid van de pompkoppen en de pneumatische aansluitingen. Lekken kunnen leiden tot vergiftiging, brandwonden of soortgelijke verwondingen.

-
1. Schroef zo nodig aanbouwdelen zoals geluiddemper, aanzuigfilter etc. in de gasaansluitingen.
 2. Voer een functietest uit.
 - Sluit de slangen op de pomp aan.
 - Sluit de pomp op de voeding aan.
 - Test de pomp op functionaliteit (o.a. eindvacuüm).
 - Scheid de pomp opnieuw elektrisch en pneumatisch.
 3. Installeer de pomp overeenkomstig 7 *Ingebruikname* [▶ 19] op de gewenste gebruikslocatie.
 - Sluit de slangen op de pomp aan.
 - Sluit de pomp op de voeding aan.
 - Test de pomp op functionaliteit (o.a. eindvacuüm).

Als u vragen hebt over het onderhoud, kunt u contact opnemen met de KNF-servicedienst (contactgegevens: zie www.knf.com).

10 Reserveonderdelen en accessoires

i Voor de bestelling van reserveonderdelen en accessoires kunt u contact opnemen met uw KNF-verkooppartner of de KNF-servicedienst (contactgegevens: zie www.knf.com).

10.1 Reserveonderdelen

Set reserveonderdelen

Een set reserveonderdelen bestaat uit:

Set reserveonderdelen

Set reserveonderdelen	Bestelnummer
Laboport N96	322636

Tab. 16: Set reserveonderdelen

Een set reserveonderdelen bestaat uit:

Onderdelen	Aantal
Membraan	1
Ventielplaten/ dichtingen	2

Tab. 17: Reserveonderdelen

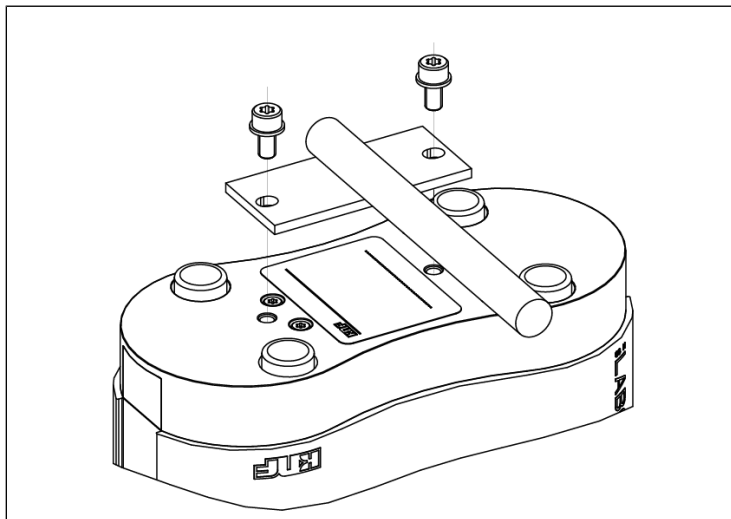
Andere reserveonderdelen	Bestelnummer
Voedingsset	323457
Set bestaande uit geluids- demper en slangpilaar ID6, PP	323456

Tab. 18: Andere reserveonderdelen

10.2 Accessoires

Accessoires	Bestelnummer
Statiefhouder	323484

Tab.19: Accessoires



Afb.14: Pomp met statiefhouder

11 Storing verhelpen



Levensgevaar door elektrische schokken

- Alle werkzaamheden aan de pomp mogen alleen door een erkende specialist worden uitgevoerd.
- Voordat u aan de pomp gaat werken: Koppel de pomp los van de stroomtoevoer.
- Controleer of deze spanningsvrij is.

→ Controleer de pomp (zie de volgende tabellen).

Pomp transporteert niet	
Oorzaak	Probleemoplossing
Geen spanning op het elektriciteitsnet.	→ Controleer de ruimtezekering en schakel deze zo nodig in.
Overtemperatuurbeveiliging van de pomp is geactiveerd	<ul style="list-style-type: none"> → Koppel de pomp los van het elektriciteitsnet. → Laat de pomp afkoelen. → Stel de oorzaak van de oververhitting vast en verhelp deze.
Aansluitingen of leidingen zijn geblokkeerd.	<ul style="list-style-type: none"> → Controleer de aansluitingen en leidingen. → Verwijder de blokkering.
Extern ventiel is gesloten of filter is verstopt.	→ Controleer de externe ventielen en filters.
In de pompkop heeft zich condensaat verzameld.	<ul style="list-style-type: none"> → Scheid de condensaatbron van de pomp. → Spoel de pomp bij een atmosferische druk enkele minuten met lucht (indien om veiligheidsredenen noodzakelijk: met een inert gas).
Membraan of ventielplaten/pakkingen zijn versleten.	→ Vervang het membraan en de ventielplaten/pakkingen (zie hoofdstuk 9.3 <i>Membraan en ventielplaten/dichtingen vervangen</i> [▶ 30]).

Tab.20: Probleemoplossing: Pomp transporteert niet

Capaciteit, druk of vacuüm te laag	
De pomp behaalt niet de in de technische gegevens gespecificeerde Capaciteit / Druk of vacuüm	
Oorzaak	Probleemoplossing
In de pompkop heeft zich condensaat verzameld.	<ul style="list-style-type: none"> → Scheid de condensaatbron van de pomp. → Spoel de pomp bij een atmosferische druk enkele minuten met lucht (indien om veiligheidsredenen noodzakelijk: met een inert gas). → Indien aanwezig, open de gasballast en spoel de pompkop.
Aan de drukzijde is er overdruk en aan de zuigzijde is er tegelijkertijd vacuüm of een druk die hoger is dan de atmosferische druk.	<ul style="list-style-type: none"> → Wijzig de pneumatische voorwaarden.
Pneumatische leidingen of aansluitdelen hebben een te kleine doorsnede of zijn gesmoord.	<ul style="list-style-type: none"> → Koppel de pomp los van het systeem om de prestatiewaarden te bepalen. → Hef evt. de smoring (bijv. ventiel) op. → Gebruik evt. leidingen of aansluitdelen met een grotere doorsnede.
Bij de aansluitingen, de leidingen of de pompkop zijn er lekkages.	<ul style="list-style-type: none"> → Zorg ervoor dat de slangen op de juiste wijze op de slangpilaren zijn gemonteerd. → Zorg ervoor dat de aansluitingen correct zijn aangebracht. → Vervang poreuze slangen. → Verhelp de lekkages.
Aansluitingen of leidingen zijn geheel of gedeeltelijk verstopt.	<ul style="list-style-type: none"> → Controleer de aansluitingen en leidingen. → Verwijder verstoppende delen en deeltjes.
Kopdelen zijn verontreinigd.	<ul style="list-style-type: none"> → Reinig de kopcomponenten.
Membraan of ventielplaten/pakkingen zijn versleten.	<ul style="list-style-type: none"> → Vervang het membraan en de ventielplaten/pakkingen (zie hoofdstuk 9.3 <i>Membraan en ventielplaten/dichtingen vervangen</i> [p. 30]).

Capaciteit, druk of vacuüm te laag	
De pomp behaalt niet de in de technische gegevens gespecificeerde Capaciteit / Druk of vacuüm	
Oorzaak	Probleemoplossing
Vervangen membraan en ventielplaten/dichtingen.	<ul style="list-style-type: none"> → Controleer de slangen op dichtheid. → Eventueel de buitenste bouten van de drukplaat voorzichtig kruiselings aandraaien.
Draai-/drukknop is niet op maximaal toerental ingesteld.	→ Stel de draai-/drukknop op maximaal toerental in.

Tab.21: Probleemoplossing: Capaciteit, druk of vacuüm te laag

12 Retourzending

Vorbereiding van de retourzending

1. Spoel de pomp enkele minuten met lucht (indien om veiligheidsredenen noodzakelijk: met een inert gas) bij een atmosferische druk om de pompkop te ontdoen van gevaarlijke of agressieve gassen (zie hoofdstuk 9.2.1 *Pomp spoelen* [▶ 30]).
i Neem contact op met uw KNF-dealer als de pomp vanwege beschadigen niet gespoeld kan worden.
2. Demonteer de pomp.
3. Reinig de pomp (zie hoofdstuk 9.2.2 *Pomp reinigen* [▶ 30]).
4. Stuur de pomp met de ingevulde verklaring van onschadelijkheid- en decontaminatieverklaring en onder vermelding van het getransporteerde medium naar KNF.
5. Pak het apparaat goed in om verdere beschadiging van het product te voorkomen. Vraag tegen betaling eventueel een originele verpakking aan.

Retourzending

KNF verplicht zich uitsluitend tot reparatie van de pomp als de klant een verklaring over het getransporteerde medium en de reiniging van de pomp overlegt. Daarnaast kunnen afgedankte apparaten in het kader van de WEEE geretourneerd worden. Neem hiertoe de instructies op knf.com/repairs in acht.

Neem contact op met een verkoopmedewerker van KNF als u aanvullende ondersteuning voor uw retourzending nodig hebt.

13 Trefwoordenregister

A		I	
Aansluiting	9	Inbouwhoogte	14
Accessoires	41	Ingebruikname	21
Afmetingen	14	Bedrijfsvoorwaarden	20
Afvoer	12	Inschakelen.....	26
B		K	
Bedrijfsomstandigheden	10	Klantenservice	12
Bedrijfsoverdruk	13	Kopdeksel	35
Beschermingsklasse pomp	14	Kopdekselbouten	35
C		L	
Capaciteit	26	Laboport ® N96	3
Capaciteit instellen	26	Leveringsomvang	3
D		M	
Doelgroep	8	Materiaal	13
Drijfstang	16	Medium	10
Druktoepassing	23	Brandbare media	10
E		Gevaarlijke media	10
Eindvacuüm.....	13	Membraan.....	16, 35
Elektrische gegevens	13	Milieubescherming	12
ESD	28	Montage.....	19
Excentriek.....	16	N	
G		Normen	11
Gasaansluiting.....	13	O	
Gebruikslocatie.....	19	Onderhoud.....	12, 28
Geluidsdemper	3, 15, 23	Onderhoudsvrij	12
Gereedschappen	30	Ongevalpreventie.....	9
Gespecialiseerd personeel	12	Originele onderdelen	12
Gewicht	14	P	
		Parameter	

Bedrijfsparameter	9, 21
opslagparameter	18
transportparameter	18
Personeel	8
Persventiel	16
Perszijde	15
Pneumatische gegevens	13
Pompcapaciteit	13
Pompdeksel	32
Pomphuis	34
Pompkopbout	32
Pompuitstoot	24
Probleem oplossen	42

R

Reiniging	29
Reparaties	12
Reserveonderdeel	40
Set reserveonderdelen	40
Reserveonderdele	30
Richtlijnen	11

S

Slangpilaar	3, 15
Startparameter	14
Statiefhouder	41

T

Temperatuur	
Bedrijfstemperatuur	14
Mediatemperatuur	14
Omgevingstemperatuur	14
Opslagtemperatuur	18
Transporttemperatuur	18
Transport	17
Transportruimte	16
Tussenplaat	35

U

Uitgeschakelde pomp	23
---------------------------	----

V

Vacuütoepassing	23
Veiligheidsbewust werken	9
Ventielplaat	36
Verantwoordelijkheid van de exploitant	9
Vermogen, elektrisch	13
Vermogen, pneumatisch	13
Verordeningen	11
Verpakking	3
Vervangen van slijtdelen	30
Voeding	3, 25, 26
Stekker	3, 24
Voeding aansluiten	24

W

Waarschuwingmelding	5
---------------------------	---

Z

Zuigventiel	16
Zuigzijde	15

KNF Neuberger GmbH
Alter Weg 3
79112 Freiburg
Duitsland
Tel. 07664/5909-0

E-mail: info.de@knf.com
www.knf.com

KNF wereldwijd

Onze lokale KNF-partners vindt u op: www.knf.com

