



# Agilent 1100 Series Thermostatted Column Compartment



## Reference Manual



Agilent Technologies

# Notices

© Agilent Technologies, Inc. 2002

No part of this manual may be reproduced in any form or by any means (including electronic storage and retrieval or translation into a foreign language) without prior agreement and written consent from Agilent Technologies, Inc. as governed by United States and international copyright laws.

## Manual Part Number

G1316-90003

## Edition

Edition 07/02

Printed in Germany

Agilent Technologies  
Hewlett-Packard-Strasse 8  
76337 Waldbronn, Germany

## Software Revision

This guide is valid for A.01.xx revisions of the Agilent 1100 Series Thermostatted Column Compartment software, where xx refers to minor revisions of the software that do not affect the technical accuracy of this guide.

## Warranty

**The material contained in this document is provided “as is,” and is subject to being changed, without notice, in future editions. Further, to the maximum extent permitted by applicable law, Agilent disclaims all warranties, either express or implied, with regard to this manual and any information contained herein, including but not limited to the implied warranties of merchantability and fitness for a particular purpose. Agilent shall not be liable for errors or for incidental or consequential damages in connection with the furnishing, use, or performance of this document or of any information contained herein. Should Agilent and the user have a separate written agreement with warranty terms covering the material in this document that conflict with these terms, the warranty terms in the separate agreement shall control.**

## Technology Licenses

The hardware and/or software described in this document are furnished under a license and may be used or copied only in accordance with the terms of such license.

## Restricted Rights Legend

Software and technical data rights granted to federal government customers include only those rights customarily provided to end user Customers of Software. Agilent provides this customary commercial license in Software and technical data pursuant to FAR 12.211 (Technical Data) and FAR 12.212 (Computer Software) and, for Department of Defense purchases, DFARS 252.227-7015 (Technical Data - Commercial Items) and DFARS 227.7202-3 (Rights in Commercial Computer Software or Computer Software Documentation). If a federal government or other public sector Customer has a need for

rights not conveyed under these terms, it must negotiate with Agilent to establish acceptable terms in a written agreement executed by all relevant parties.

## Safety Notices

### CAUTION

A **CAUTION** notice denotes a hazard. It calls attention to an operating procedure, practice, or the like that, if not correctly performed or adhered to, could result in damage to the product or loss of important data. Do not proceed beyond a **CAUTION** notice until the indicated conditions are fully understood and met.

### WARNING

A **WARNING** notice denotes a hazard. It calls attention to an operating procedure, practice, or the like that, if not correctly performed or adhered to, could result in personal injury or death. Do not proceed beyond a **WARNING** notice until the indicated conditions are fully understood and met.

## In This Guide...

### **1 Installing the Column Compartment**

How to install the thermostatted column compartment

### **2 How to optimize the Column Compartment**

An introduction to the column compartment's optimization

### **3 Troubleshooting and Test Functions**

This chapter describes the instrument's built in troubleshooting and test functions.

### **4 Repairing the Column Compartment**

Instructions on how to repair the column compartment

### **5 Identifying Parts and Materials**

Detailed illustrations and listings for parts and materials identification

### **6 Introduction to the Column Compartment**

An introduction to the column compartment, instrument overview, theory of operation, external communication and internal connectors

### **7 Control Module Screens for the Agilent 1100 Column Compartment**

This chapter is intended to introduce an operator to the screens available for operation of the Agilent 1100 thermostatted column compartment (TCC) with the Agilent 1100 control module.

Please use the manual of control module for further detailed reference.

### **8 Specifications**

Performance specifications of the thermostatted column compartment



# Contents

## 1 Installing the Column Compartment

- Site Requirements 2
- Physical Specifications 4
- Unpacking the Column Compartment 5
- Optimizing the Stack Configuration 7
- Installing the Column Compartment 9
- Flow Connections of the Column Compartment 11

## 2 How to optimize the Column Compartment

- Optimizing the Column Compartment 16

## 3 Troubleshooting and Test Functions

- Overview of the Column Department's Indicators and Test Functions 18
- Status indicators 19
  - Power Supply Indicator 20
  - Instrument Status Indicator 20
- Error Messages 21
  - Timeout 22
  - Shutdown 23
  - Remote Timeout 24
  - Synchronization Lost 25
  - Leak 26
  - Leak Sensor Open 27
  - Leak Sensor Short 28

|                                   |    |
|-----------------------------------|----|
| Compensation Sensor Open          | 29 |
| Compensation Sensor Short         | 30 |
| Left Fan Failed                   | 31 |
| Right Fan Failed                  | 32 |
| Open Cover                        | 33 |
| Cover Violation                   | 34 |
| Left Temperature Timeout          | 35 |
| Right Temperature Timeout         | 36 |
| Defective Temperature Sensor      | 37 |
| Heater Profile                    | 38 |
| Valve Failed                      | 39 |
| Column Temperature                | 40 |
| Heatsink Temperature              | 41 |
| Defective Heater Circuit          | 42 |
| Thermostat Function Test          | 43 |
| Temperature Calibration           | 45 |
| Temperature Calibration Procedure | 46 |
| Calibration Problems              | 47 |
| Installing the Temperature Sensor | 48 |

## 4 Repairing the Column Compartment

|  |    |
|--|----|
| Introduction into Repairing the Column Compartment | 52 |
| Overview of the Repairing the Column Compartment   | 55 |
| Simple Repairs                                     | 56 |
| Changing Column Identification Tags                | 57 |
| Replacing Head Parts of Column Switching Valve     | 60 |
| Correcting Leaks                                   | 62 |
| Exchanging Internal Parts                          | 63 |
| Removing the Top Cover and Foam                    | 65 |
| Removing the Column Switching Valve                | 68 |
| Installing the Column Switching Valve              | 71 |

|  |     |
|--|-----|
| Exchanging the Column Compartment Main (CCM) Board     | 74  |
| Replacing the Column Identification Module (CID) Board | 78  |
| Exchanging the Fan                                     | 79  |
| Removing the Heat Exchanger Assemblies                 | 81  |
| Installing the Heat Exchanger Assemblies               | 84  |
| Exchanging the Power Supply                            | 87  |
| Replacing the Leak Sensor or Leak Base                 | 90  |
| Replacing Status Light Pipe                            | 95  |
| Installing the Foam and the Top Cover                  | 96  |
| Assembling the Main Cover                              | 99  |
| Replacing the Column Compartment's Firmware            | 100 |

## 5 Identifying Parts and Materials

|                              |     |
|------------------------------|-----|
| Overview of Main Assemblies  | 102 |
| Control Module               | 104 |
| Column Switching Valve       | 105 |
| Sheet Metal Kit              | 107 |
| Plastic Parts                | 108 |
| Foam Parts                   | 109 |
| Power and Status Light Pipes | 110 |
| Leak Parts                   | 111 |
| Accessory Kit                | 112 |
| Cable Overview               | 113 |
| Analog Cables                | 115 |
| Remote Cables                | 118 |
| BCD Cables                   | 124 |
| Auxiliary Cable              | 127 |
| CAN Cable                    | 128 |
| External Contact Cable       | 129 |

RS-232C Cable Kit 130

LAN Cables 131

## **6 Introduction to the Column Compartment**

Introduction to the Column Compartment 134

System Overview 135

Column-Identification System 137

Column-Identification Tag 138

Column Clip 139

Column Switching Valve (Optional) 140

Electrical Connections 142

Instrument Layout 144

The Electronics 145

Column Compartment Main Board (CCM) 146

Firmware Description 151

Firmware Updates 151

Agilent 1100 Series Interfaces 153

GPIB Interface 154

CAN Interface 154

Remote Interface 154

RS-232C 155

Setting the 8-bit Configuration Switch 157

GPIB Default Addresses 158

Communication Settings for RS-232C Communication 158

Forced Cold-Start Settings 160

Stay Resident Settings 160

The Main Power Supply Assembly 162



## **7 Control Module Screens for the Agilent 1100 Column Compartment**

Major keys on the Agilent 1100 Control Module 166

Screens available from the Analysis screen 167

Screens available from the System screen 176

Screens available from the Records screen 178

Diagnostics and Tests 183

## **8 Specifications**

Performance Specifications 186

### **A Safety Informations**

General Safety Information 190

Lithium Batteries Information 193

Radio Interference 194

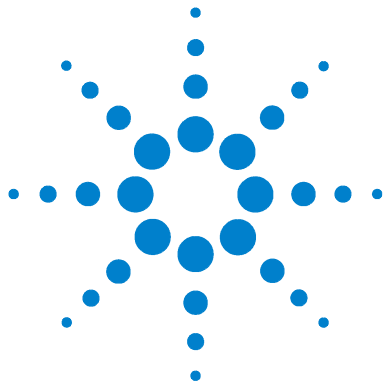
Sound Emission 195

Solvent Information 196

Agilent Technologies on Internet 197

## **Index**





# 1 Installing the Column Compartment

|  |    |
|--|----|
| Site Requirements                          | 2  |
| Physical Specifications                    | 4  |
| Unpacking the Column Compartment           | 5  |
| Optimizing the Stack Configuration         | 7  |
| Installing the Column Compartment          | 9  |
| Flow Connections of the Column Compartment | 11 |



### Site Requirements

A suitable environment is important to ensure optimum performance of the column compartment.

#### Power Consideration

The column compartment power supply has wide-ranging capability (see Table 1). It accepts any line voltage in the above mentioned range. Consequently there is no voltage selector in the rear of the column compartment. There are also no externally accessible fuses, because automatic electronic fuses are implemented in the power supply.

#### WARNING

**To disconnect the column compartment from line, unplug the power cord. The power supply still uses some power, even if the power switch on the front panel is turned off.**

---

#### WARNING

**Shock hazard or damage of your instrumentation can result, if the devices are connected to a line voltage higher than specified.**

---

#### Power Cords

Different power cords are offered as options with the column compartment. The female end of each of the power cords is identical. It plugs into the power-input socket at the rear of the column compartment. The male end of each of the power cords is different and designed to match the wall socket of a particular country or region.

#### WARNING

**Never operate your instrumentation from a power outlet that has no ground connection. Never use a power cord other than the power cord designed for your region.**

---

#### WARNING

**Never use cables other than the ones supplied by Agilent Technologies to ensure proper functionality and compliance with safety or EMC regulations.**

---

### Bench Space

The column compartment dimensions and weight (see Table 1) allow to place the column compartment on almost any desk or laboratory bench. It needs an additional 2.5 cm (1.0 inches) of space on either side and approximately 8 cm (3.1 inches) in the rear for the circulation of air and electric connections.

If the bench should carry a complete Agilent 1100 Series system, make sure that the bench is designed to carry the weight of all the modules.

The detector should be operated in a horizontal position.

### Environment

Your column compartment will work within specifications at ambient temperatures and relative humidity as described in Table 1.

#### CAUTION

Do not store, ship or use your column compartment under conditions where temperature fluctuations could cause condensation within the column compartment. Condensation will damage the system electronics. If your column compartment was shipped in cold weather, leave it in its box and allow it to warm slowly to room temperature to avoid condensation.

---

## Physical Specifications

**Table 1** Physical Specifications

| Type                                   | Specification                                  | Comments                   |
|--|--|----------------------------|
| Weight                                 | 10.2 kg (22.5 lbs)                             |                            |
| Dimensions<br>(width × depth × height) | 410 × 435 × 140 mm<br>(16.1 × 17 × 5.5 inches) |                            |
| Line Voltage                           | 100 – 120 or 220 – 240 VAC, ± 10 %             | Wide-ranging capability    |
| Line frequency                         | 50 or 60 Hz, ± 5 %                             |                            |
| Power consumption                      | 320 VA / 150 W / 512 BTU                       | Maximum                    |
| Ambient operating temperature          | 0 – 55 °C (32 – 131 °F)                        |                            |
| Ambient non-operating temperature      | -40 – 70 °C (-4 – 158 °F)                      |                            |
| Humidity                               | <95 %, at 25 – 40 °C (77 – 104 °F)             | Non-condensing             |
| Operating altitude                     | Up to 2000 m (6500 ft.)                        |                            |
| Non-operating altitude                 | Up to 4600 m (14950 ft.)                       | For storing the instrument |
| Safety standards: IEC, CSA, UL, EN     | Installation Category II, Pollution Degree 2   |                            |

## Unpacking the Column Compartment

### Damaged Packaging

If the delivery packaging shows signs of external damage, please call your Agilent Technologies sales and service office immediately. Inform your service representative that the column compartment may have been damaged during shipment.

### CAUTION

If there are signs of damage, please do not attempt to install the column compartment.

### Delivery Checklist

Ensure all parts and materials have been delivered with the column compartment. The delivery checklist is shown in Table 2. Please report missing or damaged parts to your local Agilent Technologies sales and service office.

**Table 2** Column Compartment Delivery Checklist

| Description                       | Quantity |
|-----------------------------------|----------|
| Thermostatted column compartment  | 1        |
| Power cable                       | 1        |
| CAN cable (Part number 5181-1516) | 1        |
| Column switching valve            | optional |
| <i>Reference Manual</i>           | 1        |
| Accessory kit (see Table 3)       | 1        |

## 1 Installing the Column Compartment

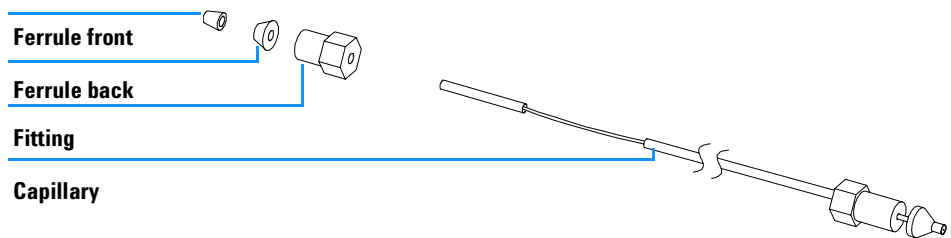
### Accessory Kit Contents

**Table 3** Accessory Kit Contents (Part number G1316-68705)

| Description   | Part Number | Quantity |
|---|-------------|----------|
| Tubing flexible (to waste) for re-order 5 m                   | 5062-2463   | 1.2 m    |
| Capillary, 90 mm lg, 0.17 i.d., fittings need to be assembled | G1316-87300 | 1        |
| Ferrule front SST   | 0100-0043   | 2        |
| Ferrule back SST  | 0100-0044   | 2        |
| Fitting SST   | 79814-22406 | 2        |
| Column-identification tag                                     | *           | 1        |
| Column clip   | **          | 2        |
| ESD Wrist Strap   | 9300-1408   | 1        |

\* for reordering use part number 5062-8588 that comprises a kit with 3 column identification tags

\*\* for reordering use part number 5063-6526 that comprises a kit with 6 column clips

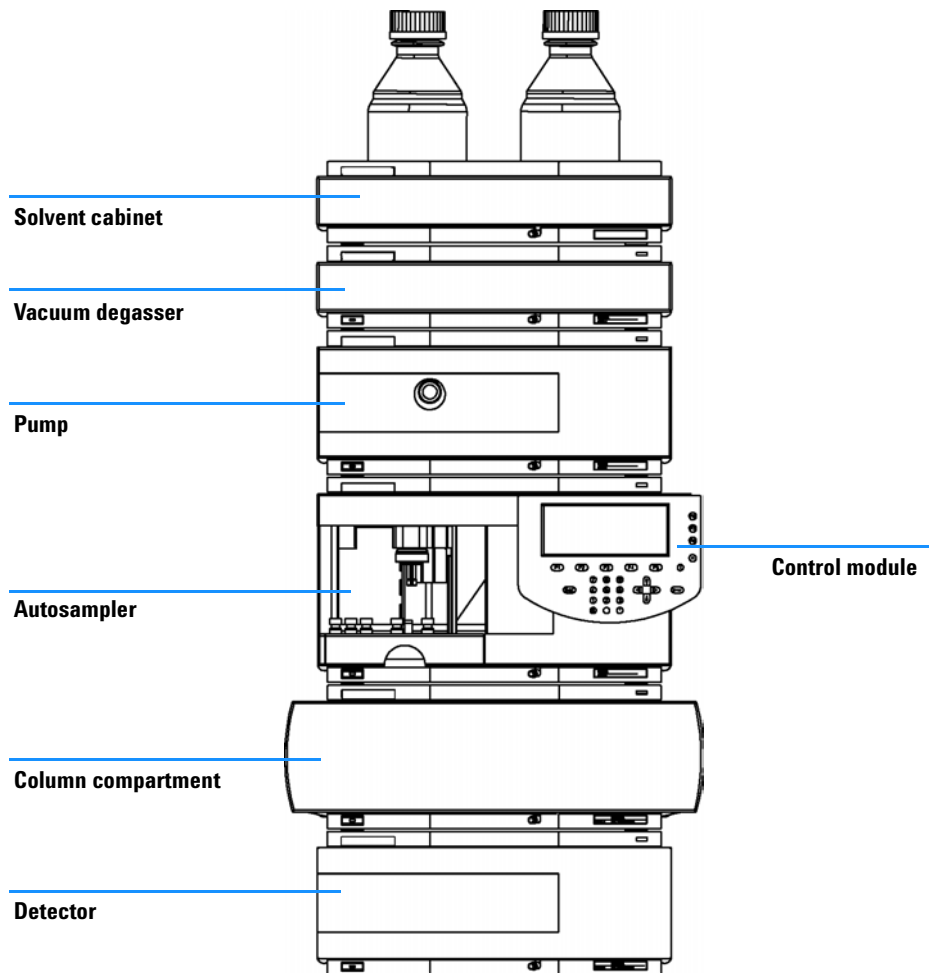


**Figure 1** Capillary (Column-Heat Exchanger) Parts



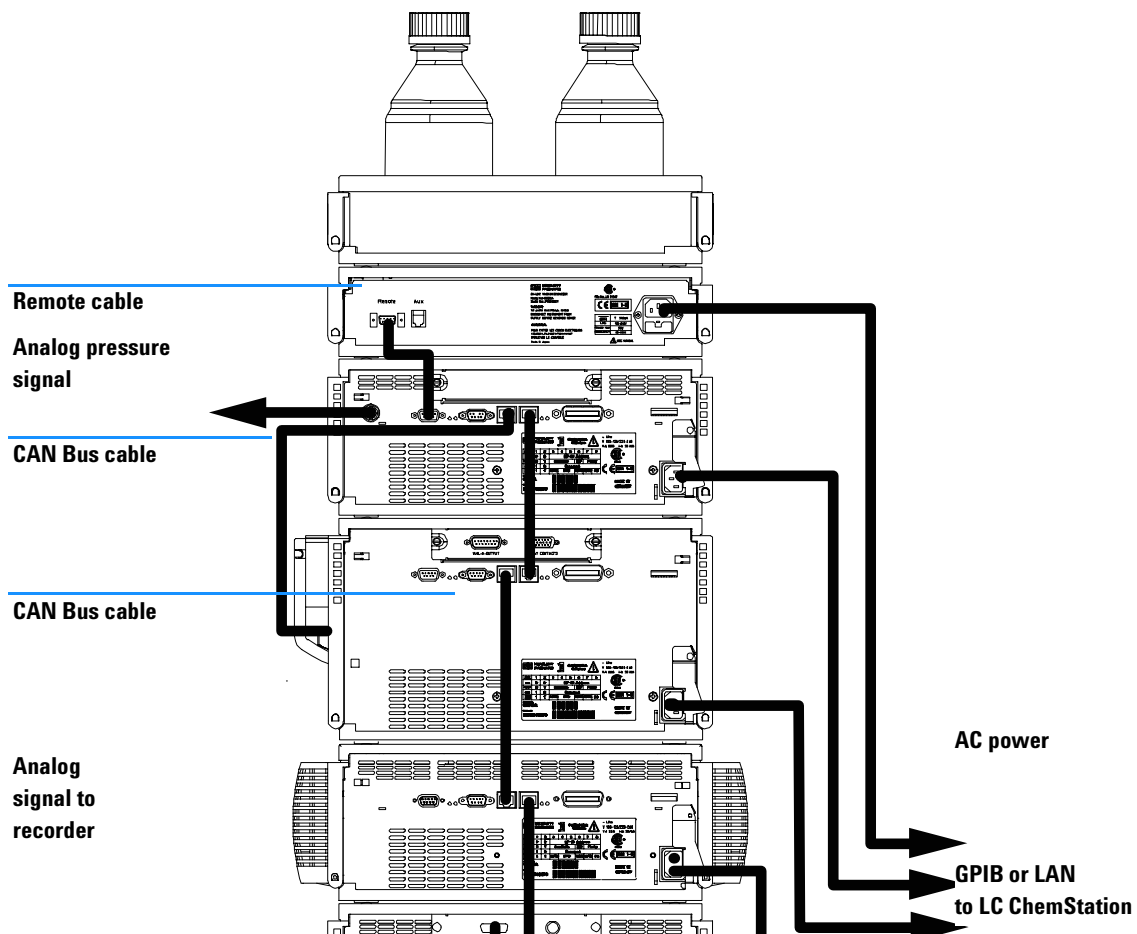
## Optimizing the Stack Configuration

If your column compartment is part of a Agilent 1100 Series system, you can ensure optimum performance by installing the following configuration. This configuration optimizes the system flow path and ensures minimum delay volume



**Figure 2** Recommended Stack Configuration (Front View)

## 1 Installing the Column Compartment

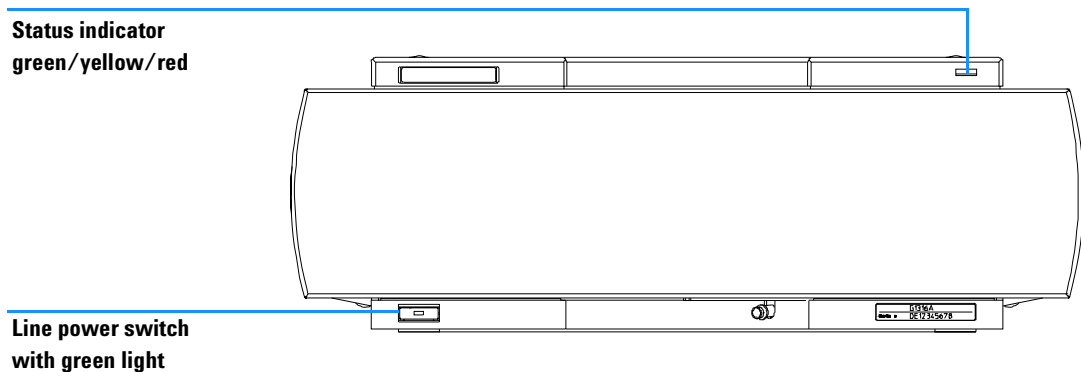


**Figure 3** Recommended Stack Configuration (Rear View)

## Installing the Column Compartment

|                       |   |
|-----------------------|---|
| <b>Preparations</b>   | Locate bench space.<br>Provide power connections.   |
| <b>Parts required</b> | Unpack the Column compartment.<br>Column compartment<br>Power cord, for other cables see text below and " <a href="#">Cable Overview</a> " on page 113. |

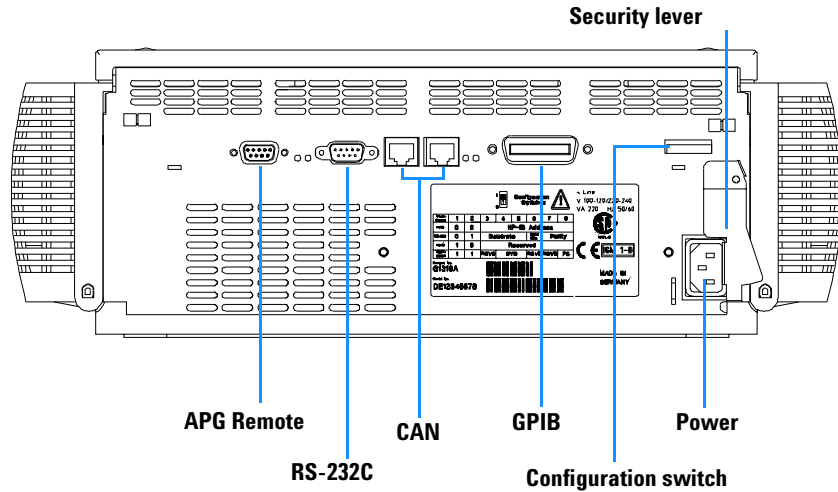
- 1 Place the column compartment in the stack or on the bench in a horizontal position.
- 2 Ensure the power switch at the front of the column compartment is OFF.



**Figure 4** Front View of the Thermostatted Column Compartment

- 3 Connect the power cable to the power connector at the rear of the column compartment.
- 4 Connect the CAN cable to other Agilent 1100 Series modules.
- 5 If a Agilent ChemStation is the controller, connect either
  - the GPIB cable to the detector or
  - the LAN connection to the LAN interface board in the detector.
- 6 Connect the APG Remote cable (optional) for non-Agilent 1100 Series instruments.
- 7 Turn on power by pushing the button at the lower left side of the column compartment. The status LED should shine green.

## 1 Installing the Column Compartment



**Figure 5** Rear View of the Thermostatted Column Compartment

### NOTE

The column compartment is turned on when the line power switch is pressed and the green indicator lamp is illuminated. The column compartment is turned off when the line power switch is protruding and the green light is off.

### WARNING

To disconnect the column compartment from line, unplug the power cord. The power supply still uses some power, even if the power switch at the front panel is turned off.

### NOTE

The column compartment was shipped with default configuration settings. For changing of these setting, see "[Setting the 8-bit Configuration Switch](#)" on page 157.

## Flow Connections of the Column Compartment

### WARNING

When working with solvents please observe appropriate safety procedures (for example, goggles, safety gloves and protective clothing) as described in the material handling and safety data sheet supplied by the solvent vendor, especially when toxic or hazardous solvents are used.

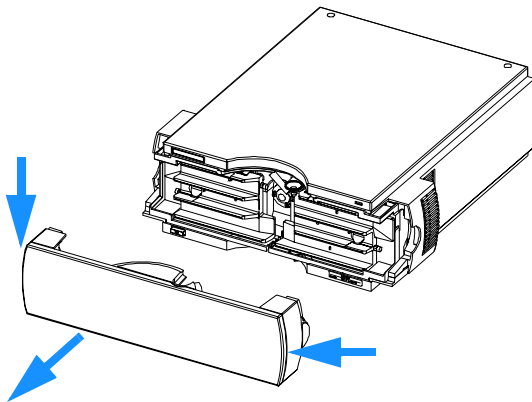
#### Preparations Parts required

Install the column compartment  
Other modules

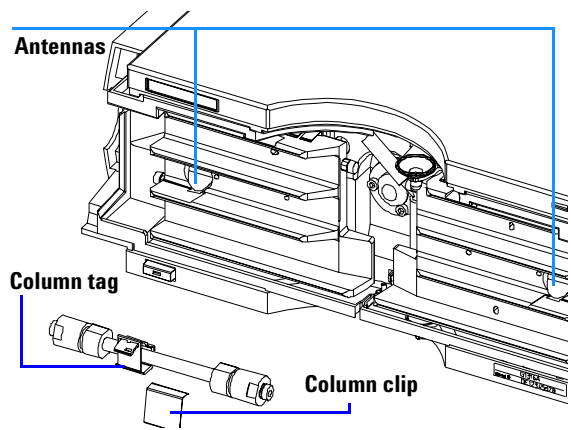
Parts from accessory kit, see "[Accessory Kit Contents](#)" on page 6 and/or from capillary kit column switching valve, see "[Column Switching Valve](#)" on page 105

Two wrenches 1/4 – 5/16 inch for capillary connections

1 Press release buttons and remove front cover to gain access to heater area.



2 The column compartment is equipped with a column-identification system that can read column tags.

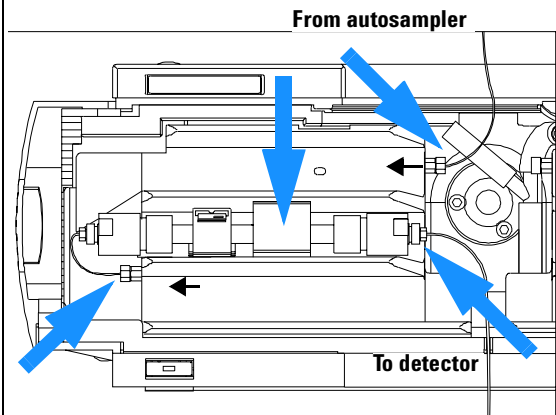


For more information on column identification, see "[Column-Identification System](#)" on page 137.

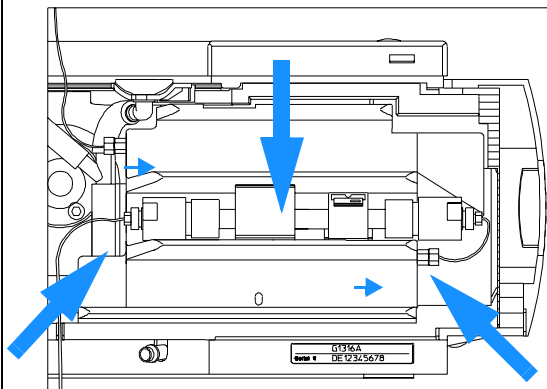
## 1 Installing the Column Compartment

The internal volumes of the heat exchanger assemblies comprise a volume of 3  $\mu\text{l}$  (left) and 6  $\mu\text{l}$  (right). The internal capillary diameter is 0.17 mm.

**3** Place the column on the left heat exchanger assembly and connect the capillaries to the column.

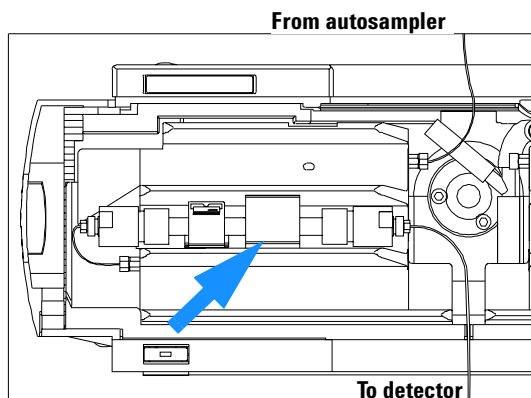


**4** Or place the column on the right heat exchanger assembly and connect the capillaries to the column.



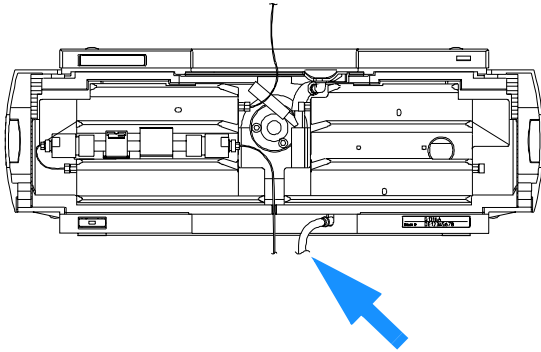
To connect the column selection valve, see "[Column Switching Valve \(Optional\)](#)" on page 140.

**5** Fix the column with the column clip from the accessory kit.

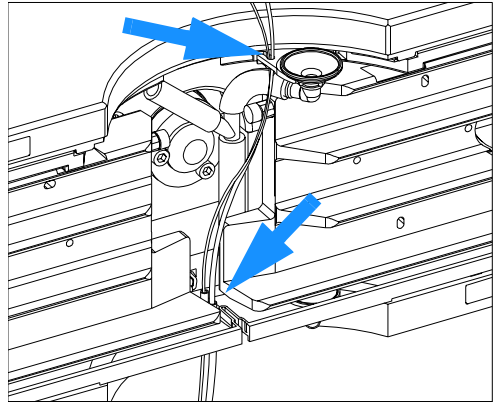


If your accessory kit was shipped without the column clip, you may order them. Refer to "[Accessory Kit Contents](#)" on page 6 for part number information.

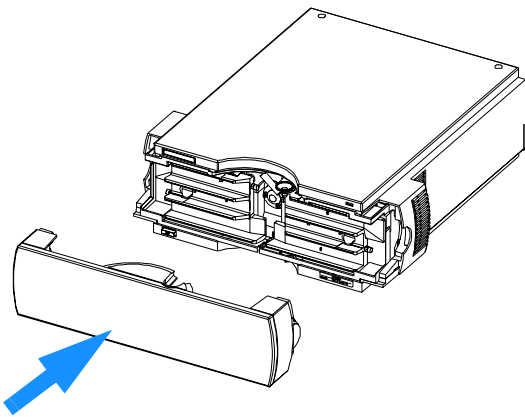
**6** If the column compartment is not part of a Agilent 1100 Series system, or if an Agilent 1100 Series Autosampler is located on top, connect the corrugated tubing to the waste outlet.



**7** Route tubings from modules above through the openings in the funnel holder (top) and the plastic bottom part. Remove small plastic plugs first.



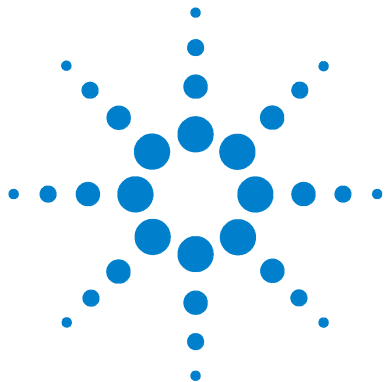
**8** Close the front cover and replace the front cover.



The installation of the column compartment has now been completed.

## **1 Installing the Column Compartment**





## 2 How to optimize the Column Compartment

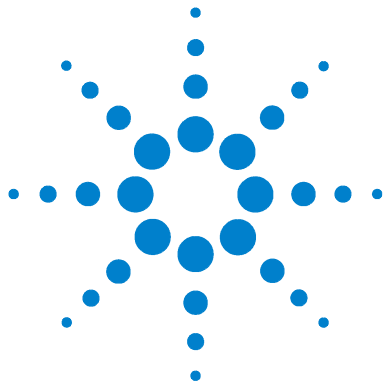
Optimizing the Column Compartment 16



### Optimizing the Column Compartment

For best performance results of the column compartment follow the following hints:

- Use short connection capillaries and place them close to the heat exchanger. This will reduce heat dissipation and external band-broadening.
- Use the left heat exchanger for small volume columns, for example, 2–3 mm i.d. columns at flow rates of less than 200  $\mu\text{l}/\text{min}$ .
- For even lower band-broadening, the heat exchanger can be by-passed and the column is placed well between the heat exchanger fins.
- Keep the left and right heat exchanger temperature the same unless you do specific applications.
- Assure that the front cover is always closed.



## 3 Troubleshooting and Test Functions

|   |    |
|---|----|
| Overview of the Column Department's Indicators and Test Functions | 18 |
| Status indicators   | 19 |
| Error Messages  | 21 |
| Thermostat Function Test  | 43 |
| Temperature Calibration   | 45 |



## Overview of the Column Department's Indicators and Test Functions

### Status Indicators

The instrument is provided with two status indicators which indicate the operational state (prerun, run, and error states) of the instrument. The status indicators provide a quick visual check of the operation of the instrument.

### Error Messages

In the event of an electronic, mechanical or hydraulic failure, the instrument generates an error message in the user interface. The following pages describe the meaning of the error messages. For each message, a short description of the failure, a list of probable causes of the problem, and a list of suggested actions to fix the problem are provided.

### Thermostat Function Test

The thermostat function test evaluates the heating and cooling efficiency of the two peltier elements.

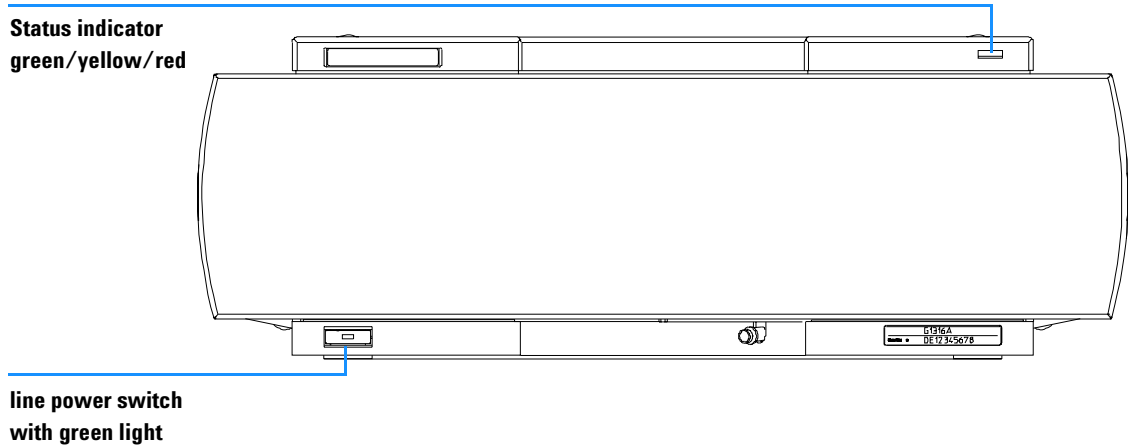
### Temperature Calibration and Verification

The temperature calibration and verification procedure enables the instrument temperature to be measured against an external, calibrated measuring device. Normally, temperature calibration is not required throughout the lifetime of the instrument. However, in order to comply with local regulatory requirements, calibration and verification may be required.

The following sections describe these functions in detail.

## Status indicators

Two status indicators are located on the front of the instrument. The lower left indicates the power supply status, the upper right indicates the instrument status.



**Figure 6** Location of Status indicators

#### Power Supply Indicator

The power supply indicator is integrated into the main power switch. When the indicator is illuminated (*green*) the power is *ON*.

#### Instrument Status Indicator

The instrument status indicator indicates one of four possible instrument conditions:

- When the status indicator is *OFF* (and power switch indicator is on), the instrument is in a *prerun* condition, and is ready to begin an analysis.
- A *green* status indicator, indicates the instrument is performing an analysis (*run mode*).
- A *yellow* indicator indicates a *not-ready* condition. The instrument is in a not-ready state when it is waiting for a specific condition or action to be completed (for example, immediately after changing a setpoint), or while a self-test procedure is running.
- An *error* condition is indicated when the status indicator is *red*. An error condition indicates the instrument has detected an internal problem which affects correct operation of the instrument. Usually, an error condition requires attention (for example, leak, defective internal components). An error condition always interrupts the analysis.

## Error Messages

Error messages are displayed in the user interface when an electronic, mechanical, or hydraulic (flow path) failure occurs which requires attention before the analysis can be continued (for example, repair, frit exchange, exchange of consumable is necessary). In the event of such a failure, the red status indicator at the front of the column compartment is switched on, and an entry is written into the instrument logbook.

This section describes the meaning of error messages, and provides information on probable causes and suggested actions how to recover from error conditions.

### Timeout

The timeout threshold was exceeded.

#### Probable Causes

- The analysis was completed successfully, and the timeout function switched off the pump as requested.
- A not-ready condition was present during a sequence or multiple-injection run for a period longer than the timeout threshold.

#### Suggested Actions

- ✓ Check the logbook for the occurrence and source of a not-ready condition. Restart the analysis where required.



## Shutdown

An external instrument has generated a shut-down signal on the remote line.

The instrument continually monitors the remote input connectors for status signals. A LOW signal input on pin 4 of the remote connector generates the error message.

### Probable Causes

- Leak detected in an external instrument with a remote connection to the system.
- Shut-down in an external instrument with a remote connection to the system.
- The degasser failed to generate sufficient vacuum for solvent degassing.

### Suggested Actions

- ✓ Fix the leak in the external instrument before restarting the pump module.
- ✓ Check external instruments for a shut-down condition.
- ✓ Check the degasser module for an error condition. Refer to the *Reference Manual* for the Agilent 1100 Series vacuum degasser.

## Remote Timeout

A not-ready condition is still present on the remote input.

When an analysis is started, the system expects all not-ready conditions (e.g. a not-ready condition during detector balance) to switch to run conditions within one minute of starting the analysis. If a not-ready condition is still present on the remote line after one minute the error message is generated.

### Probable Causes

- Not-ready condition in one of the instruments connected to the remote line.
- Defective remote cable.
- Defective components in the instrument showing the not-ready condition.

### Suggested Actions

- ✓ Ensure the instrument showing the not-ready condition is installed correctly, and is set up correctly for analysis.
- ✓ Exchange the remote cable.
- ✓ Check the instrument for defects (refer to the instrument's reference documentation).

## Synchronization Lost

During an analysis, the internal synchronization or communication between one or more of the modules in the system has failed.

The system processors continually monitor the system configuration. If one or more of the modules is no longer recognized as being connected to the system, the error message is generated.

### Probable Causes

- CAN cable disconnected.
- Defective CAN cable.
- Defective main board in another module.

### Suggested Actions

- ✓ Ensure all the CAN cables are connected correctly.
- ✓ Switch off the system. Restart the system, and determine which module or modules are not recognized by the system.
- ✓ Ensure all CAN cables are installed correctly.

## Leak

A leak was detected in the column compartment module.

The signals from the two temperature sensors (leak sensor and board-mounted temperature-compensation sensor) are used by the leak algorithm to determine whether a leak is present. When a leak occurs, the leak sensor is cooled by the solvent. This changes the resistance of the leak sensor which is sensed by the leak-sensor circuit on the CCM board.

### Probable Causes

- Condensation.
- Loose column fittings.
- Broken capillary.
- Leaking column-switching valve seal.

### Suggested Actions

- ✓ Use a higher temperature setpoint.
- ✓ Ensure all fittings are tight.
- ✓ Exchange defective capillaries.
- ✓ Exchange the valve seal.

## Leak Sensor Open

The leak sensor in the column compartment module has failed (open circuit).

The current through the leak sensor is dependent on temperature. A leak is detected when solvent cools the leak sensor, causing the leak-sensor current to change within defined limits. If the current falls outside the lower limit, the error message is generated.

### Probable Causes

- Leak sensor not connected to the CCM board.
- Defective leak sensor.

### Suggested Actions

- ✓ Ensure the leak sensor is connected correctly.
- ✓ Exchange the leak sensor.

### Leak Sensor Short

The leak sensor in the column compartment module has failed (short circuit).

The current through the leak sensor is dependent on temperature. A leak is detected when solvent cools the leak sensor, causing the leak-sensor current to change within defined limits. If the current increases above the upper limit, the error message is generated.

#### Probable Causes

- Defective leak sensor.

#### Suggested Actions

- ✓ Exchange the leak sensor.

## Compensation Sensor Open

The ambient-compensation sensor (NTC) on the CCM board in the column compartment module has failed (open circuit).

The resistance across the temperature compensation sensor (NTC) on the CCM board is dependent on ambient temperature. The change in resistance is used by the leak circuit to compensate for ambient temperature changes. If the resistance across the sensor increases above the upper limit, the error message is generated.

### Probable Causes

- Defective CCM board.

### Suggested Actions

- ✓ Exchange the CCM board.

## Compensation Sensor Short

The ambient-compensation sensor (NTC) on the CCM board in the column compartment module has failed (short circuit).

The resistance across the temperature compensation sensor (NTC) on the CCM board is dependent on ambient temperature. The change in resistance is used by the leak circuit to compensate for ambient temperature changes. If the resistance across the sensor falls below the lower limit, the error message is generated.

### Probable Causes

- Defective CCM board.

### Suggested Actions

- ✓ Exchange the CCM board.



## Left Fan Failed

The left cooling fan in the column compartment has failed.

The hall sensor on the fan shaft is used by the CCM board to monitor the fan speed. If the fan speed falls below 2 revolutions/second for longer than 5 seconds, the error message is generated.

### Probable Causes

- Fan cable disconnected.
- Defective fan.
- Defective CCM board.

### Suggested Actions

- ✓ Ensure the fan is connected correctly.
- ✓ Exchange fan.
- ✓ Exchange the CCM board.

## Right Fan Failed

The right cooling fan in the column compartment has failed.

The hall sensor on the fan shaft is used by the CCM board to monitor the fan speed. If the fan speed falls below 2 revolutions/second for longer than 5 seconds, the error message is generated.

### Probable Causes

- Fan cable disconnected.
- Defective fan.
- Defective CCM board.

### Suggested Actions

- ✓ Ensure the fan is connected correctly.
- ✓ Exchange the fan.
- ✓ Exchange the CCM board.

## Open Cover

The top foam has been removed.

The sensor on the CCM board detects when the top foam is in place. If the foam is removed, the fan is switched and peltier elements are switched off, and the error message is generated.

### Probable Causes

- The top foam was removed during operation.
- Foam not activating the sensor.

### Suggested Actions

- ✓ Replace the top foam.
- ✓ Exchange the foam.

## Cover Violation

The column compartment was switched on with the top cover and foam open.

The sensor on the CCM board detects when the top foam is in place. If the column compartment is switched on with the foam removed, the processor switches off the peltier elements after a short delay, and the error message is generated.

### Probable Causes

- The column compartment was switched on with the top cover and foam removed.

### Suggested Actions

- ✓ Replace the top cover and foam.

## Left Temperature Timeout

The temperature of the left heat exchanger did not reach the temperature setpoint within the timeout threshold.

### Probable Causes

- Timeout threshold too short.
- Defective left heater assembly.
- Defective CCM board.

### Suggested Actions

- ✓ Increase the timeout threshold value.
- ✓ Exchange the heater assembly.
- ✓ Exchange the CCM board.

### Right Temperature Timeout

The temperature of the right heat exchanger did not reach the temperature setpoint within the timeout threshold.

#### Probable Causes

- Timeout threshold too short.
- Defective right heater assembly.
- Defective CCM board.

#### Suggested Actions

- ✓ Increase the timeout threshold value.
- ✓ Exchange the heater assembly.
- ✓ Exchange the CCM board.

## Defective Temperature Sensor

Defective Temperature Sensor 0:left column.

**Defective Temperature Sensor 1:**left heatsink.

**Defective Temperature Sensor 2:**right column.

**Defective Temperature Sensor 3:**right heatsink.

**Defective Temperature Sensor 4:**ambient-correction sensor  
(located on left flex board).

One of the temperature sensors has failed.

The CCM board monitors the signal from the sensor continually. If the signal is missing or out of range, the error message is generated.

### Probable Causes

- Flex board not connected (only if all left or right sensor error messages appear simultaneously).
- Defective heater assembly.
- Defective CCM board.

### Suggested Actions

- ✓ Ensure the flex board is connected correctly.
- ✓ Exchange the heater assembly.
- ✓ Exchange the CCM board.

### Heater Profile

**Heater Profile 0:** left heater.

**Heater Profile 2:** right heater.

The temperature warm-up (or cooling) profile of the heater is incorrect.

When the temperature setpoint is changed, the heater begins heating (or cooling) the column heat exchanger. During this time, the processor monitors the temperature change, and checks if the temperature profile is changing in the correct direction. If the temperature is not changing as expected, the error message is generated.

#### Probable Causes

- Defective heater assembly.
- Defective CCM board.

#### Suggested Actions

- ✓ Exchange the heater assembly.
- ✓ Exchange the CCM board.



## Valve Failed

**Valve Failed 0:**failed to switch to the position where ports 1 and 2 are connected.

**Valve Failed 1:**failed to switch to the position where ports 1 and 6 are connected.

The column-switching valve failed to switch.

The switching of the column-switching valve is monitored by two micro switches on the valve assembly. The switches detect the successful completion of the valve movement within a predefined time window. If the valve fails to reach the end point, or fails to reach the end point within the time window, the error message is generated.

### Probable Causes

- Defective column-switching valve.
- Defective CCM board.

### Suggested Actions

- ✓ Exchange the column-switching valve.
- ✓ Exchange the CCM board.

## Column Temperature

**Column Temperature 0:** left heater.

**Column Temperature 2:** right heater.

The temperature of the column heat exchanger has exceeded the maximum limit.

For safety reasons, the maximum column heat-exchanger temperature is 105 °C. If an electronic failure occurs which causes the heater to heat continually, the current is switched off when the temperature exceeds 105 °C, and the error message is generated.

### Probable Causes

- Defective heater assembly.
- Defective CCM board.

### Suggested Actions

- ✓ Exchange the heater assembly.
- ✓ Exchange the CCM board.

## Heatsink Temperature

**Heatsink Temperature 0:** left heater.

**Heatsink Temperature 2:** right heater

The temperature of the Peltier heatsink has exceeded the maximum limit.

The maximum temperature of the Peltier heatsink is 70 °C. If an electronic failure occurs which causes the heatsink to reach 70 °C, the current is switched off and the error message is generated.

### Probable Causes

- Defective heater assembly.
- Defective CCM board.

### Suggested Actions

- ✓ Exchange the heater assembly.
- ✓ Exchange the CCM board.

#### **Defective Heater Circuit**

The electronic circuit for control of the heater assemblies is defective.

The processor checks the function of the heater circuits continually. If a defect is detected in the control circuit, the processor switches off the heater (peltier) assemblies, and the error message is generated.

#### **Probable Causes**

- Defective CCM board.

#### **Suggested Actions**

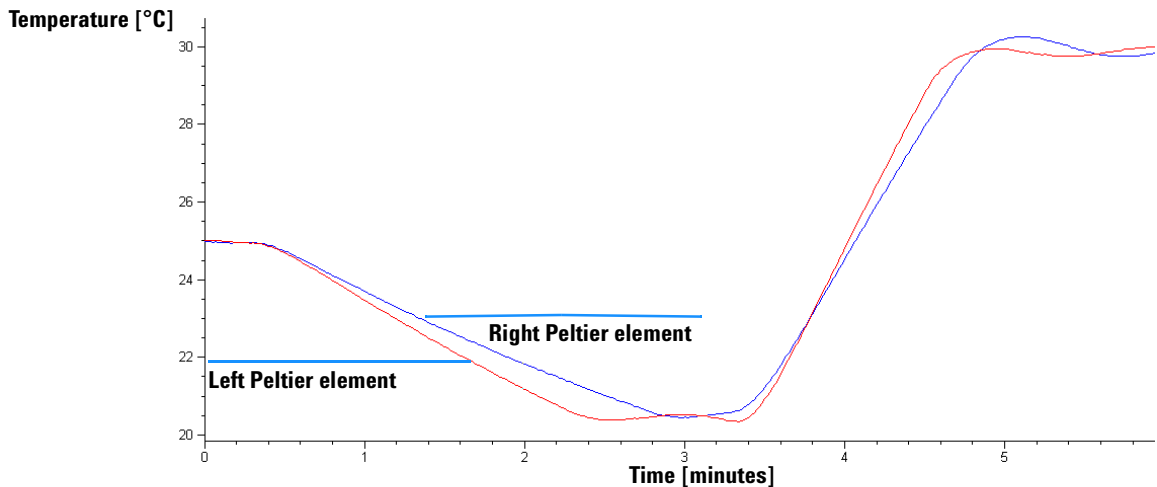
- ✓ Exchange the CCM board.

## Thermostat Function Test

The thermostat function test is used to evaluate the cooling and heating performance of the two peltier elements.

### Description

When the test is started, both heat exchangers are cooled initially to 25 °C. This temperature is held for 12 seconds, and then the setpoint is changed to 20 °C. The time required to reach 20 °C is a measure of the cooling efficiency of the peltier elements. At 3.5 minutes, the setpoint is changed to 30 °C, and both elements begin heating. The time required to reach 30 °C is a measure of heating efficiency. A typical thermostat function test profile is shown in Figure 7.



**Figure 7** Typical Thermostat Function Test Profile

### Evaluating the Thermostat Function Test

During the cooling phase, the Peltier elements should cool at a rate of  $>2$  °C/minute. During the heating phase, the temperature change should be  $>3$  °C/minute. Defective thermostat components may cause cooling or heating rates to fall outside these limits.

### Function Test Failed

#### Probable Causes

- Column compartment cover not installed correctly (bad insulation).
- Air intake blocked (insufficient air flow for cooling).
- Poor peltier efficiency (if setpoint temperatures can still be reached, and are stable, there is no requirement to exchange the heater assembly).
- Defective sensors on flex board.
- Defective heater assembly.

#### Suggested Actions

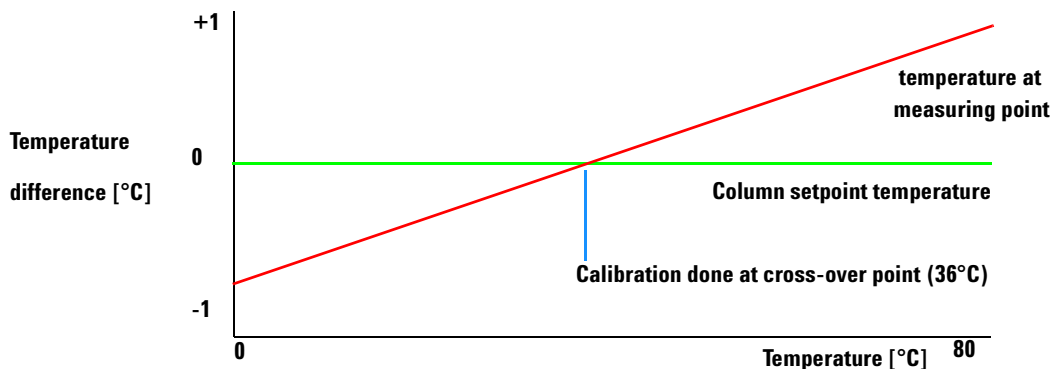
- ✓ Ensure cover is installed correctly.
- ✓ Ensure sufficient space is available for air circulation ("[Bench Space](#)" on page 3).
- ✓ Exchange the heater assembly.

## Temperature Calibration

### Temperature Calibration Principle

The actual temperatures of the column heat exchangers (left and right) are dependent on the column setpoint temperature. For setpoint temperatures above 36 °C, the heat exchangers are heated to a temperature slightly above the setpoint temperature. Conversely, for setpoint temperatures below 36 °C, the heat exchangers are maintained at a temperature slightly below the setpoint temperature. This fine temperature correction compensates for the small amount of heat exchange through the instrument housing, and ensures the column is always maintained at the setpoint temperature.

At 36 °C, the column setpoint and heat-exchanger temperatures are equal (temperature cross-over point). This is the temperature at which a calibrated measuring device can be used to calibrate the column thermostat



**Figure 8** 1-Point Calibration at the Temperature Cross-Over Point.

The column thermostat is calibrated correctly when the measured temperature (using the external measuring device, "[Temperature Calibration Procedure](#)" on page 46) and the cross-over temperature (36 °C) of both heat exchangers (left and right) are within  $\pm 0.5$  °C.

## Temperature Calibration Procedure

|                       |  |
|-----------------------|--|
| <b>Tools required</b> | Temperature measuring device (see note below)  |
| <b>Parts required</b> | Calibration kit G1316-68707 containing:<br>Thermal pad (qty=20) 5042-1315 and spring G1316-01200 |

### NOTE

For the measuring and calibration process Agilent Technologies recommends a measuring device that provides the necessary resolution and precision. Contact the local Agilent Technologies support representative for ordering information.

- 1 Install the temperature sensor ("[Installing the Temperature Sensor](#)" on page 48).
- 2 Select the column-compartment temperature calibration mode in the user interface.
- 3 Wait for the temperature to stabilize at the calibration temperature (36 °C).
- 4 Measure the temperature of the heat exchanger.
- 5 If the measured temperature deviates by more than  $\pm 0.5$  °C from the actual temperature, enter the measured value in the measured-temperature field for the left heat exchanger.
- 6 Install the sensor at the measurement point on the right heat exchanger. Repeat the calibration procedure for the right heat exchanger.

### Limits

After calibration, the measured temperature and the calibration temperature should be within  $\pm 0.5$  °C. The maximum deviation which can be adjusted is  $\pm 1.8$  °C. If the measured value and the calibration value differ by more than  $\pm 8$  °C, this is an indication that a problem exists, "[Calibration Problems](#)" on page 47.



## Calibration Problems

If the temperature cannot be calibrated, check the following:

- Thermostat front cover is closed correctly.
- The measuring device is functioning correctly, and is calibrated according to the manufacturers instructions.

## Hardware Failures

Probable hardware failures leading to a failed calibration procedure are:

- Defective or wrongly calibrated measuring device.
- Defective heater assembly.
- Defective ambient-temperature sensor.
- Defective CCM board.

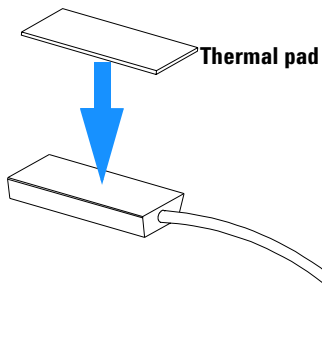
## Installing the Temperature Sensor

Installation of the temperature sensor is required for the temperature calibration and temperature verification procedures.

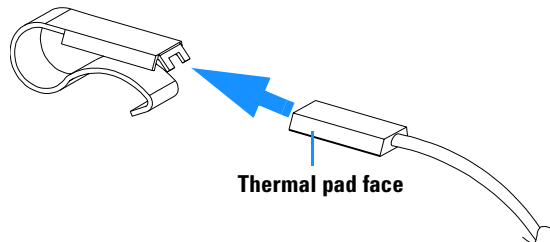
**NOTE**

The figures below refer to a specific type of temperature sensor (Heraeus, Quat340, quartz surface-temperature measurement sensor). Other sensors may require a different fixing.

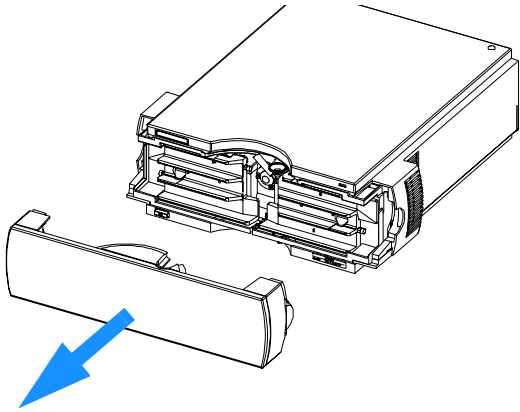
**1** Attach the thermal pad from the Calibration Kit onto the temperature sensor.



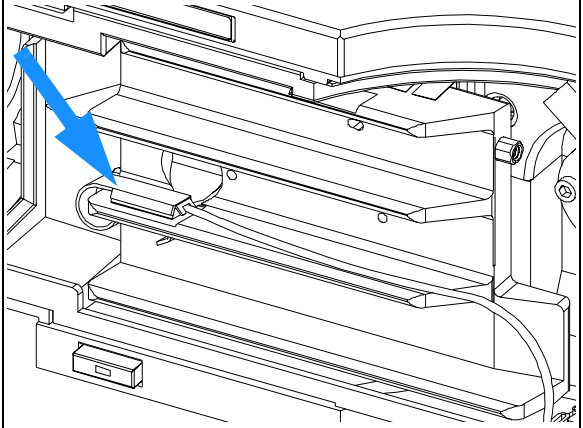
**2** Insert the temperature sensor into the spring. Ensure the face of the thermal pad faces downwards.



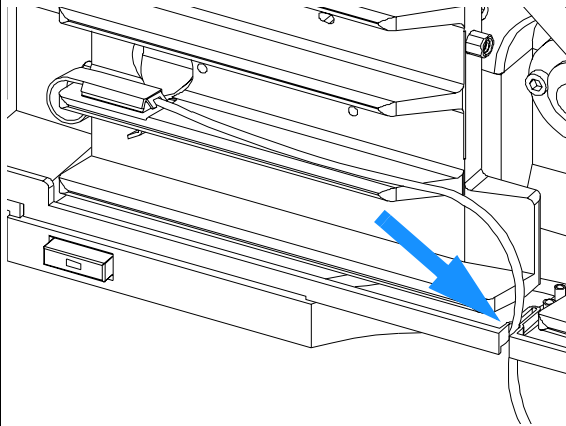
**3** Remove the front cover.



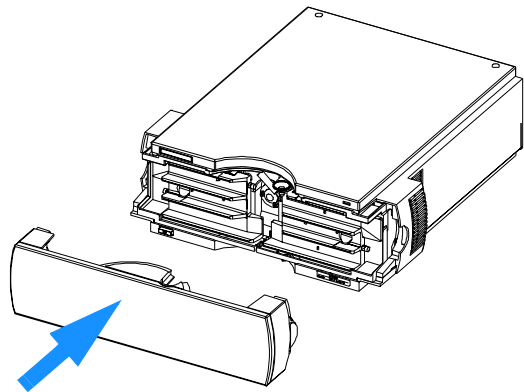
**4** Install the temperature sensor at the measurement position on the left heat exchanger.



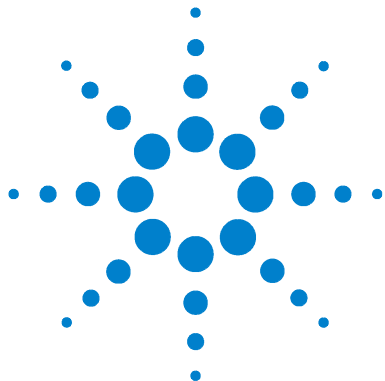
**5** Route the sensor wire through the slit in the leak tray.



**6** Replace the front cover.



### **3 Troubleshooting and Test Functions**



## 4 Repairing the Column Compartment

Introduction into Repairing the Column Compartment [52](#)

Overview of the Repairing the Column Compartment [55](#)

Simple Repairs [56](#)

Exchanging Internal Parts [63](#)



# Introduction into Repairing the Column Compartment

### Simple Repairs

The column compartment is designed for easy repair. The most frequent repairs such as change of column and column switching valve head parts can be done from the front of the column compartment with the column compartment in place in the system stack. These repairs are described in "[Simple Repairs](#)" on page 56.

### Exchanging Internal Parts

Some repairs may require exchange of defective internal parts. Exchange of these parts requires removing the column compartment from the stack, removing the covers, and disassembling the column compartment. The security lever at the power input socket prevents that the column compartment cover is taken off when line power is still connected. These repairs are described in "[Exchanging Internal Parts](#)" on page 63.

### WARNING

**To prevent personal injury, the power cable must be removed from the column compartment before opening the column compartment cover. Do not connect the power cable to the column compartment while the covers are removed.**

**When working with solvents please observe appropriate safety procedures (for example, goggles, safety gloves and protective clothing) as described in the material handling and safety data sheet supplied by the solvent vendor, especially when toxic or hazardous solvents are used.**

### CAUTION

Electronic boards and components are sensitive to electronic discharge (ESD). In order to prevent damage always use an ESD protection (for example, the ESD wrist strap from the accessory kit) when handling electronic boards and components, see "[Using the ESD Strap](#)Electronic boards are sensitive to electronic discharge (ESD). In order to prevent damage, always use an ESD strap supplied in the standard accessory kit (see "[Accessory Kit](#)" on page 116) when handling electronic boards and components." on page 53.

**CAUTION**

The column compartment has two heat exchanger assemblies that might be hot. If so, allow them to cool down before starting repairs.

**Cleaning the Column Compartment**

The column compartment case should be kept clean. Cleaning should be done with a soft cloth slightly dampened with water or a solution of water and a mild detergent. Do not use an excessively damp cloth that liquid can drip into the column compartment.

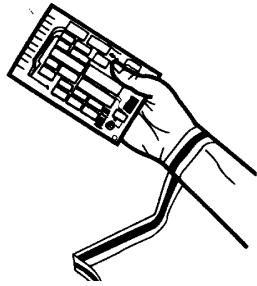
**WARNING**

**Do not let liquid drip into the column compartment. It could cause shock hazard and it could damage the column compartment.**

**Using the ESD Strap** Electronic boards are sensitive to electronic discharge (ESD). In order to prevent damage, always use an ESD strap supplied in the standard accessory kit (see "[Accessory Kit](#)" on page 112) when handling electronic boards and components.

- 1 Unwrap the first two folds of the band and wrap the exposed adhesive side firmly around your wrist.
- 2 Unroll the rest of the band and peel the liner from the copper foil at the opposite end.
- 3 Attach the copper foil to a convenient and exposed electrical ground.

## 4 Repairing the Column Compartment



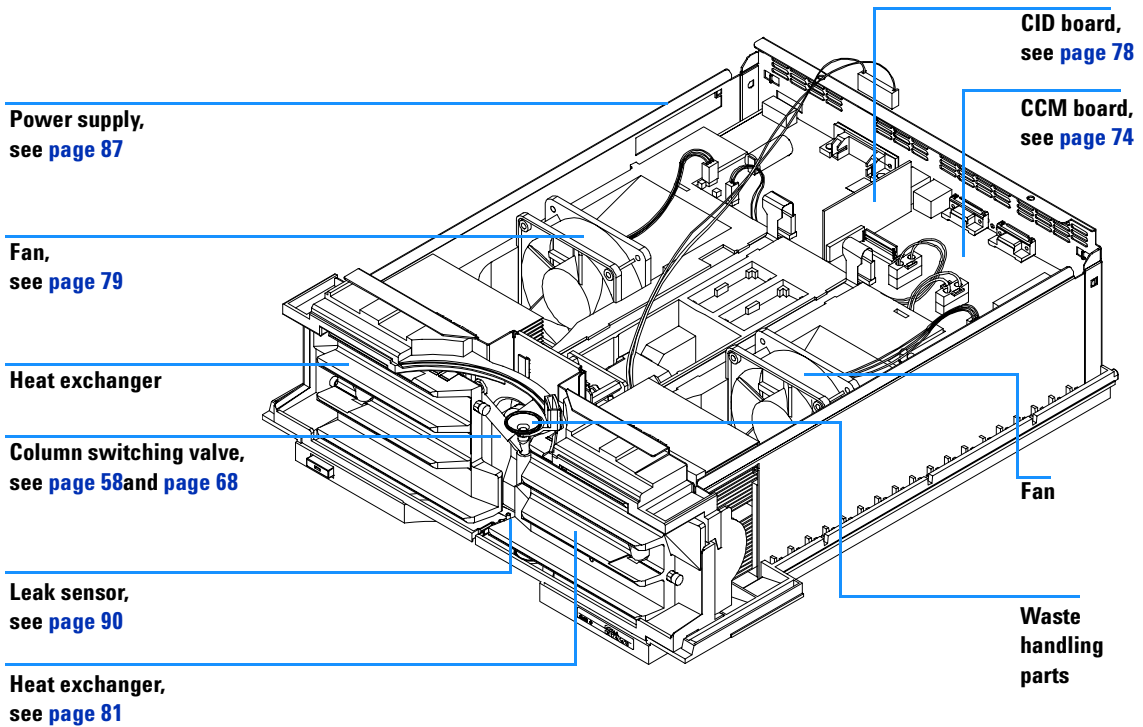
**Figure 9** Using the ESD Strap

Print end:



## Overview of the Repairing the Column Compartment

Figure 10 shows the main assemblies and their locations which can be repaired.



**Figure 10** Overview on Repair Procedures

## 4 Repairing the Column Compartment

### Simple Repairs

The following sections describe repairs that can be done without opening the main cover.

**Table 4** Simple Repairs

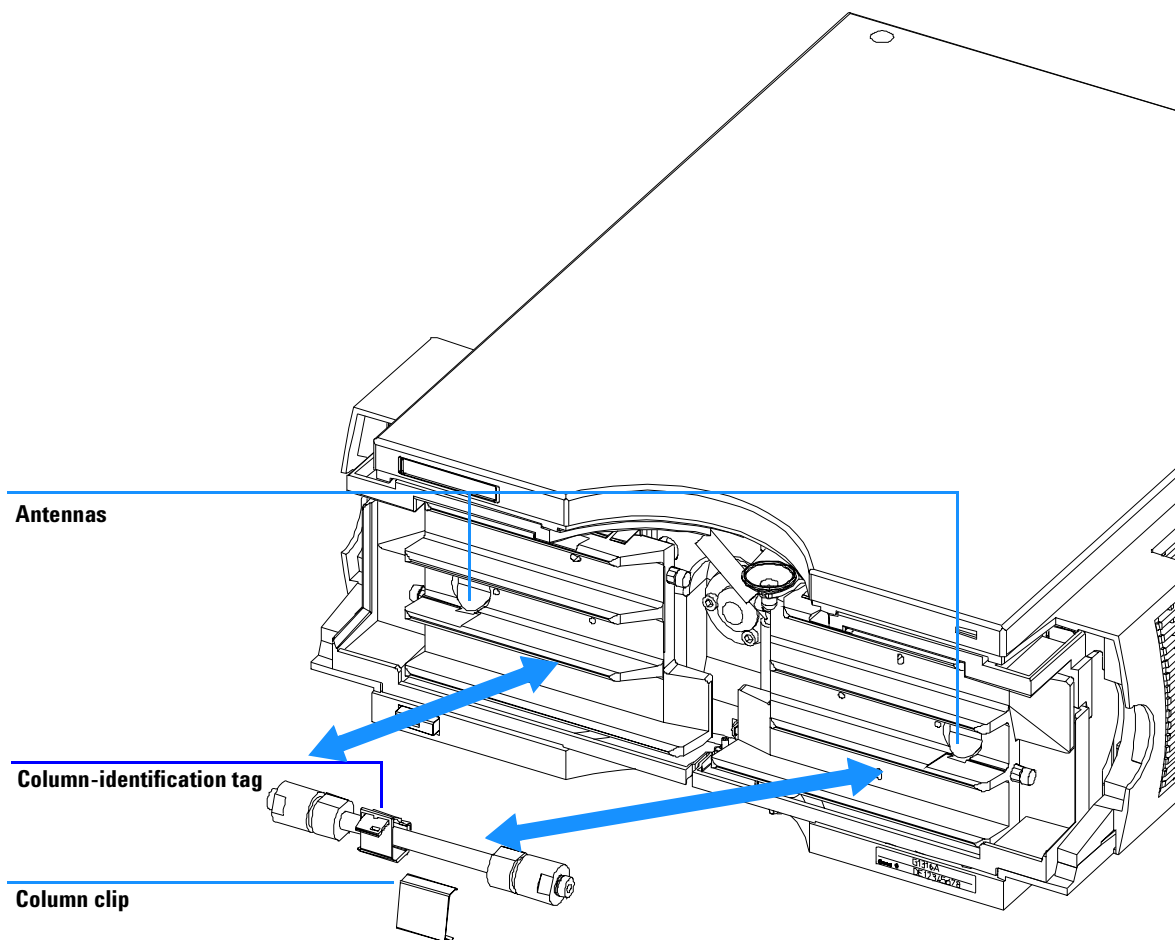
| Procedure   | Typical Frequency  | Notes           |
|---|--|-----------------|
| "Changing Column Identification Tags" on page 57            | When column performance or new application requires a change   |                 |
| "Replacing Head Parts of Column Switching Valve" on page 60 | When the valve performance shows indication of leakage or wear |                 |
| "Correcting Leaks" on page 62                               | If leak has occurred   | Check for leaks |

## Changing Column Identification Tags

|                       |   |
|-----------------------|---|
| <b>Frequency</b>      | If column is used on the opposite heat exchanger or a tag is added to a new column. |
| <b>Parts required</b> | Column identification tag, pack of 3, 5062-8588                                     |

The column compartment is equipped with an column-identification system, that stores column specific information. Two identification antennas are incorporated in the heat exchanger assemblies.

## 4 Repairing the Column Compartment



**Figure 11** Location of Column Identification System

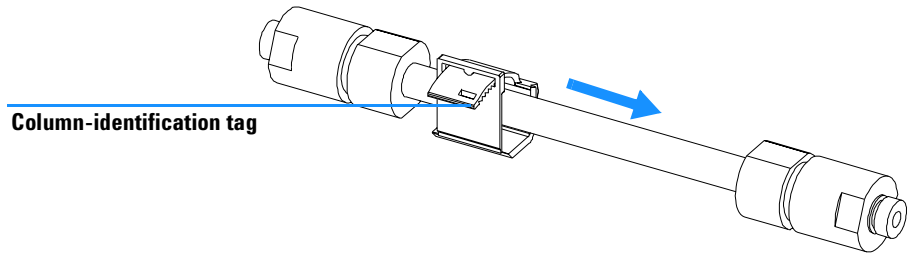
When correctly placed on the heat exchanger, the distance between tag and antenna is 1–2 mm. This is the optimum distance for proper function. The identification tag can be easily removed from the column.

### NOTE

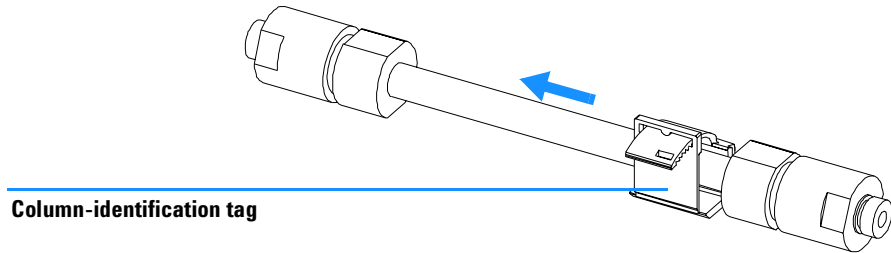
For small diameter columns, a cable tie wrap should be used, to fix the column identification tag at the column. Assure that the tie wrap is not blocking the front cover.

**NOTE**

There is a difference in attaching the identification tag to the column depending on which heat exchanger it will be located, see Figure 12 and Figure 13. The Agilent logo should be always at the front side.



**Figure 12** Column-Identification Tag for Left Heat Exchanger

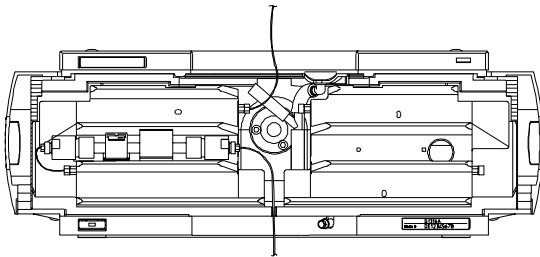


**Figure 13** Column-Identification Tag for Right Heat Exchanger

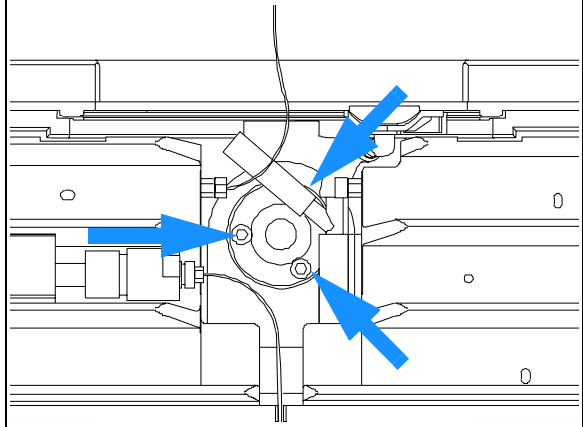
## Replacing Head Parts of Column Switching Valve

|                       |  |
|-----------------------|--|
| <b>Frequency</b>      | If valve leaks   |
| <b>Tools required</b> | 1/4 inch wrench<br>9/64 inch hex key   |
| <b>Parts required</b> | Screws 1535-4857, stator head 0100-1850, stator face assembly 0100-1851, rotor seal 3 grooves (tefzel) 0100-1854, rotor seal 3 grooves (Vespel) 0100-1855, isolation seal 0100-1852, stator screws 1535-4857 |

1 Remove capillaries from ports 1, 5, and 6.

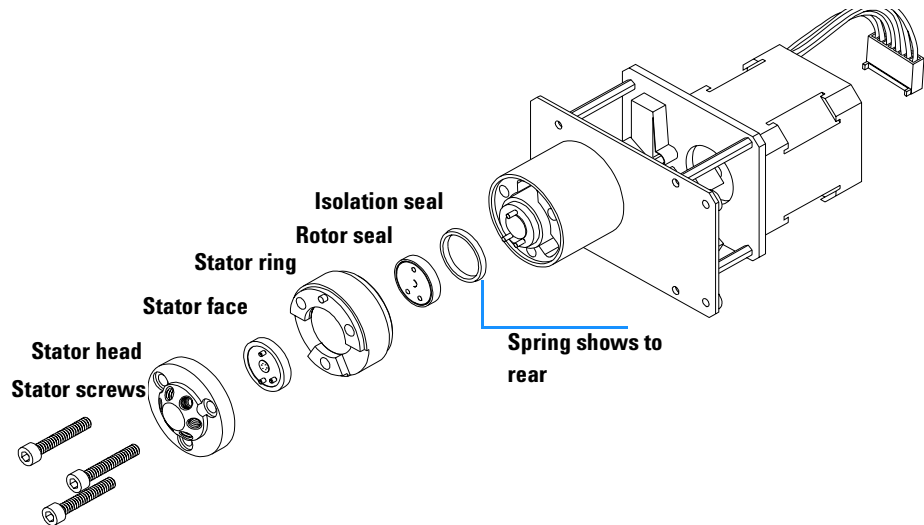


2 Loosen each fixing stator screws two turns at a time. Remove bolts from head.



- 4 Remove the stator head and the ceramic stator face.
- 5 Remove the stator ring.
- 6 Remove the rotor seal (and isolation seal if damaged or contaminated).
- 7 Install the new isolation seal (if required). Ensure the metal spring inside the ring faces towards the valve body.
- 8 Install the new rotor seal.
- 9 Replace the stator ring. Ensure the stator ring is flush against the valve body.

- 10 Place the new (if required) ceramic stator face in place on the stator head. Reinstall the stator head.
- 11 Insert the stator screws in the stator head. Tighten the screws alternately two turns at a time until the stator head is secure.
- 12 Reconnect the pump capillaries to the valve ports. Slide the waste tube into the waste holder in the leak tray.
- 13 Perform a pressure-tightness test to ensure the valve is pressure tight to 400 bar.



**Figure 14** Column Switching Valve Parts

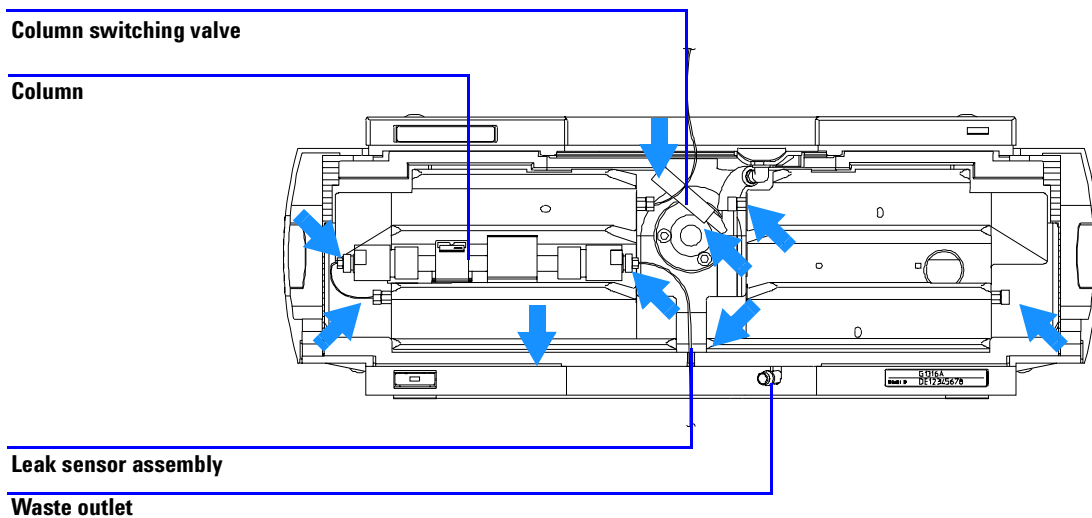
## 4 Repairing the Column Compartment

### Correcting Leaks

|                       |  |
|-----------------------|--|
| <b>When required</b>  | If a leakage has occurred at the heat exchanger or at the capillary connections or at the column switching valve |
| <b>Tools required</b> | Tissue<br>Wrench 1/4 – 5/16 inch for capillary connections   |

---

- 1 Remove the front cover.
- 2 Use tissue to dry the leak sensor area.
- 3 Observe the capillary connections and the column switching valve for leaks and correct, if required.
- 4 Replace the front cover.



**Figure 15** Possible Leak Areas



## Exchanging Internal Parts

**WARNING**

The following procedures require opening the main cover of the column compartment. Always ensure the column compartment is disconnected from the line power when the main cover is removed. The security lever at the power input socket prevents that the column compartment cover is taken off when line power is still connected.

---

**WARNING**

To disconnect the column compartment from line, unplug the power cord. The power supply still uses some power, even if the switch on the front panel is turned off.

---

**WARNING**

When working with solvents please observe appropriate safety procedures (for example, goggles, safety gloves and protective clothing) as described in the material handling and safety data sheet supplied by the solvent vendor, especially when toxic or hazardous solvents are used.

---

**NOTE**

The electronics of the column compartment will not allow operation of the module when the top cover and the top foam are removed. A safety light switch on the main board will inhibit the operation of the fans immediately. Voltages for the other electronic components will be turned off after 30 seconds. The status lamp will light red and an error will be logged into the logbook of the user interface. Always operate the column compartment with the top covers in place.

---

**CAUTION**

Electronic boards and components are sensitive to electronic discharge (ESD). In order to prevent damage always use an ESD protection (for example, the ESD wrist strap from the start up kit) when handling electronic boards and components, see ["Using the ESD Strap"](#) Electronic boards are sensitive to electronic discharge (ESD). In order to prevent damage, always use an ESD strap supplied in the standard accessory kit (see ["Accessory Kit"](#) on page 116) when handling electronic boards and components." on page 53.

---

## 4 Repairing the Column Compartment

### CAUTION

The column compartment has two heater assemblies that might be hot. If so, allow them to cool down before starting repairs.



## Removing the Top Cover and Foam

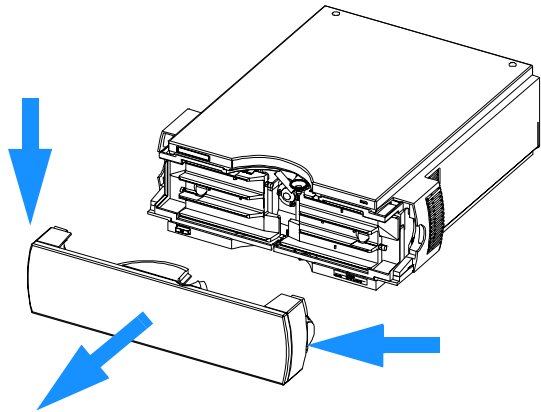
**When required**  
**Tools required**  
**Parts required**

For all repairs inside the column compartment  
 Screwdriver Pozidriv 1 PT3  
 Depends on the work inside and the following procedures

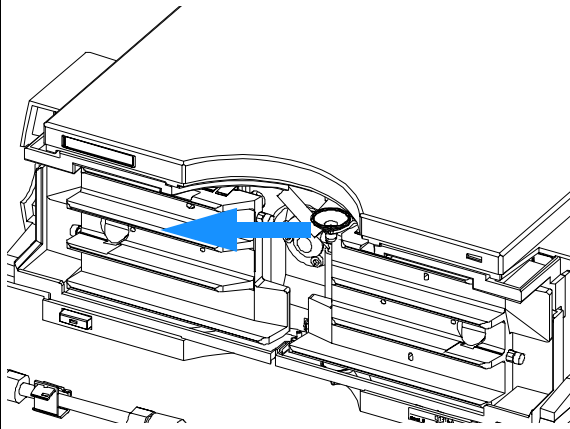
### Preparations for this procedure:

- Turn off the column compartment.
- Disconnect the power cable.
- Disconnect capillaries.
- Remove column compartment from stack and place it on the working bench.

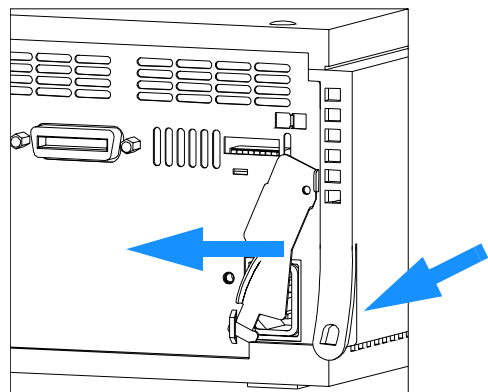
**1** Press the release buttons and remove the front cover.



**2** Pull the leak funnel out of the leak funnel holder.

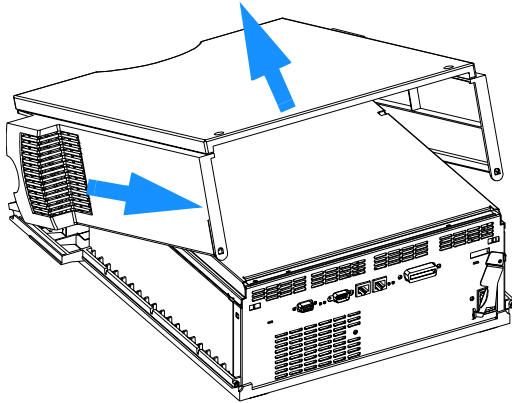


**3** Move the power lock across the power inlet and lift the clips on the rear of the cover.

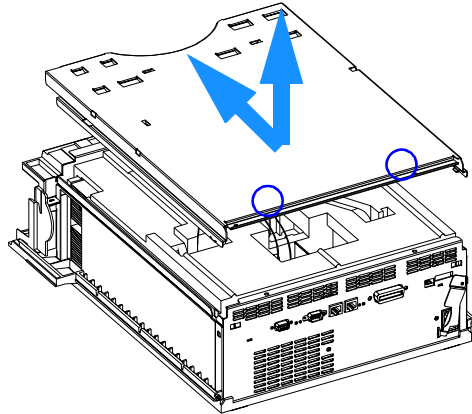


## 4 Repairing the Column Compartment

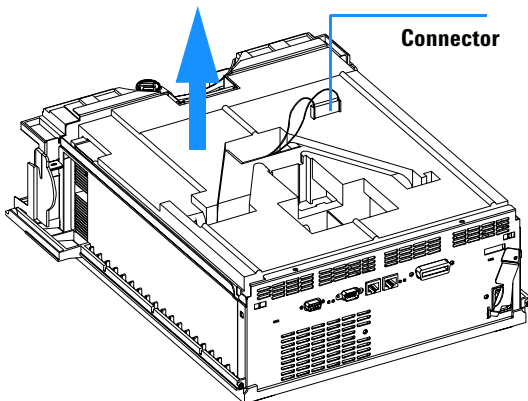
4 Lift the cover up and slide it towards the rear.



5 Unscrew the screws at the rear of the top plate, slide the plate towards the front and remove it.



6 If installed, disconnect the connector of the column switching valve from column compartment and remove the top foam.

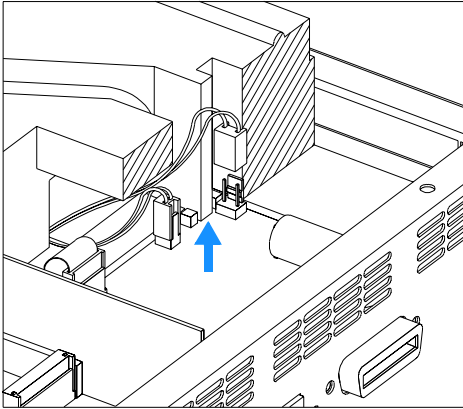


**Do not connect a power plug to the column compartment after removing the top covers.**

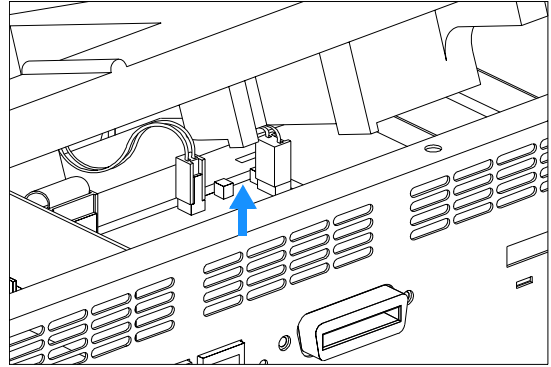
A safety light switch on the main board will turn off fan (immediately) and electronics (after 30 seconds) to avoid the operation with removed covers. An error will be generated (status lamp lights red) and the logbook will show an error message.

The next figures show the position of the light switch on the board.

**7** Position of the foam in the safety light switch.



**8** Position of safety light switch on the main board when removing the foam.



## 4 Repairing the Column Compartment

### Removing the Column Switching Valve

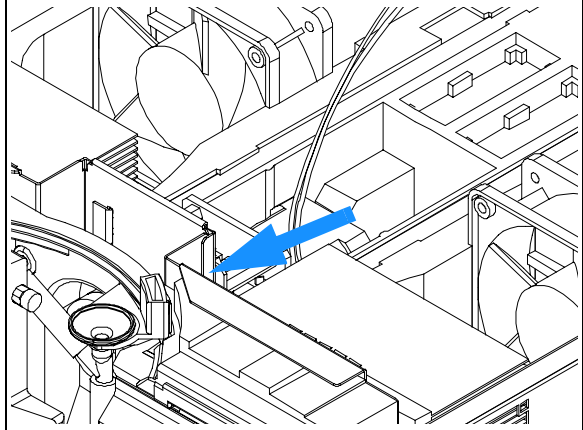
**When required**  
**Tools required**

If valve failed or bottom foam part has to be removed for other replacements  
Screwdriver Pozidriv 1 PT3  
Wrench 1/4 – 5/16 inch for capillary connections

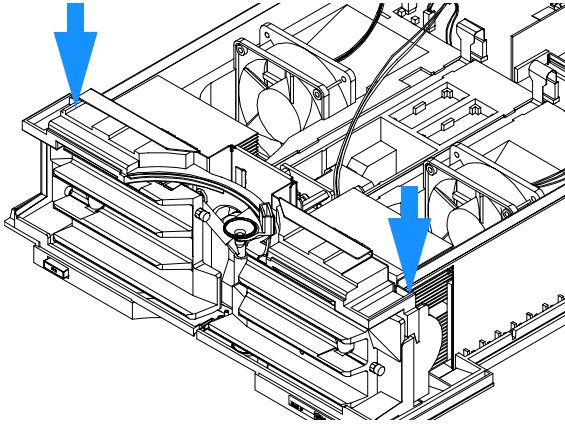
**Preparations for this procedure:**

- Turn off the column compartment.
- Disconnect the power cable.
- Disconnect capillaries.
- Remove column compartment from stack and place it on the working bench.
- Remove the front cover, top cover and top foam section, see "[Removing the Top Cover and Foam](#)" on page 65.

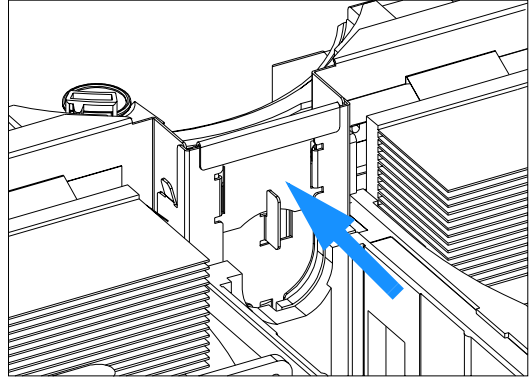
- 1** Disconnect the grounding connection of the valve at the Z-panel.



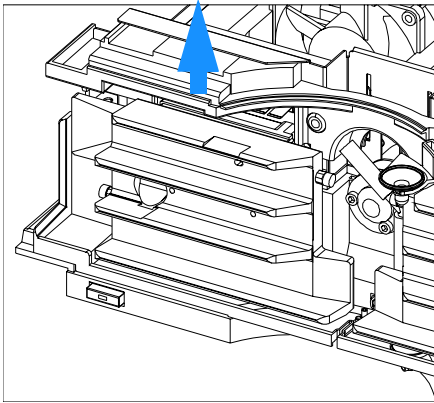
**2** Unscrew the Z-panel.



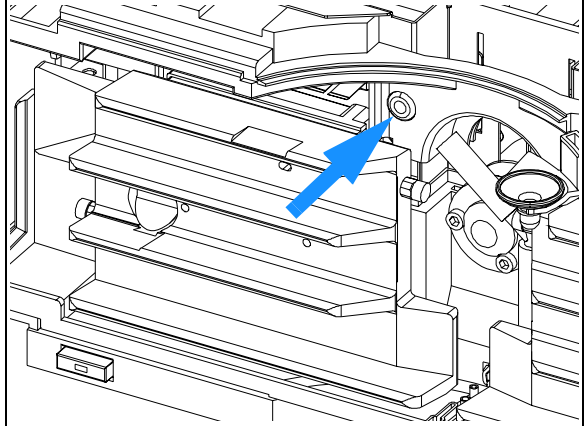
**3** Press against the rear of the Z-panel to release the metal plate from the guide and pull it carefully upwards.



**4** Lift the Z-panel together with the top plastic panel half-way out of the guide.

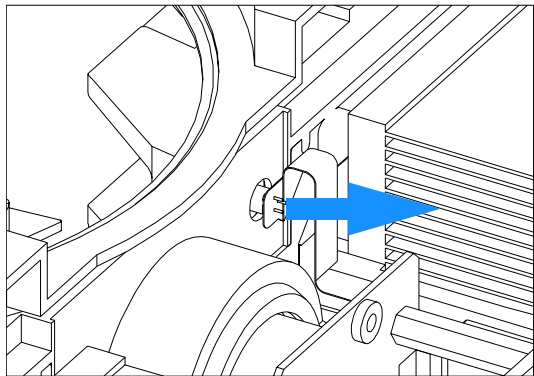


**5** Locate the ambient temperature sensor in the top plastic part and push it towards the rear.

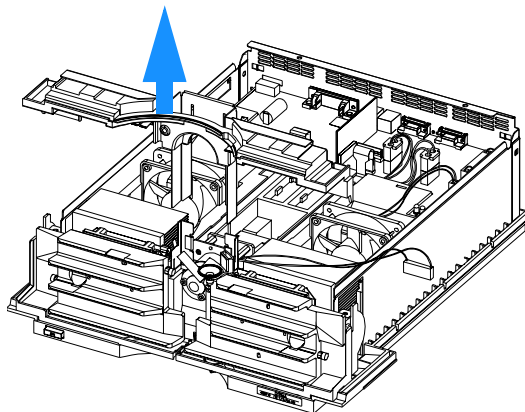


## 4 Repairing the Column Compartment

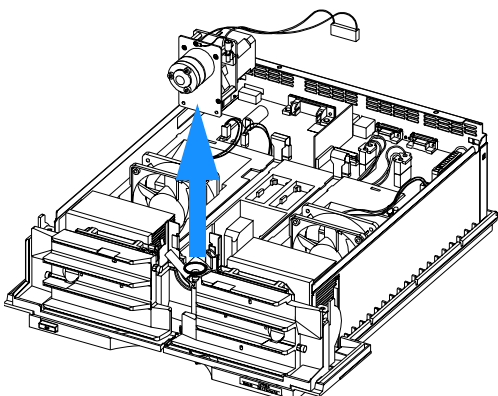
**6** Carefully remove the ambient temperature sensor plugged into the rear of the top plastic panel.



**7** Pull the top plastic panel together with the Z-panel completely out of the guide.



**8** Remove the Valve from its location.



For the installation refer to "[Installing the Column Switching Valve](#)" on page 71.



## Installing the Column Switching Valve

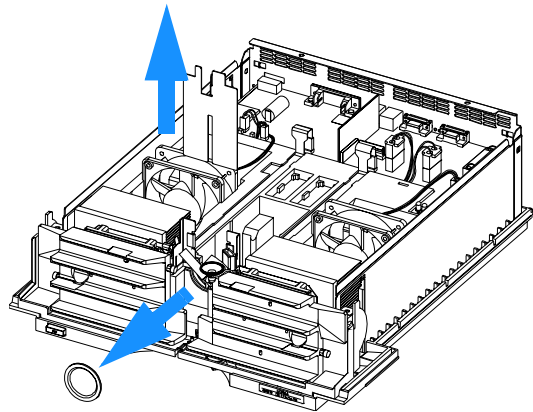
**When required**  
**Tools required**

For first time installation or after it was removed  
Screwdriver Pozidriv 1 PT3  
Wrench 1/4 – 5/16 inch for capillary connections

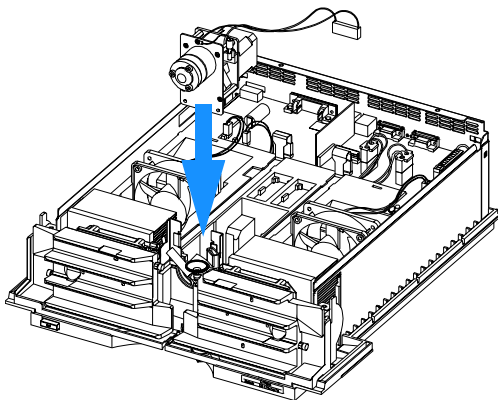
**Preparations for this procedure are:**

- The column compartment is open as described in "Removing the Column Switching Valve" on page 68.

**1** If no column switching valve was installed, remove the RFI-shield and the plastic cover (no longer used).



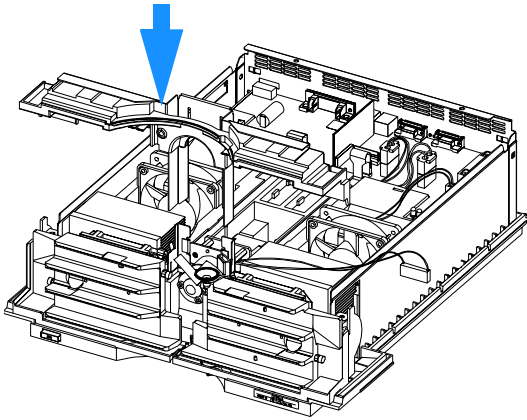
**2** Replace the valve into its location.



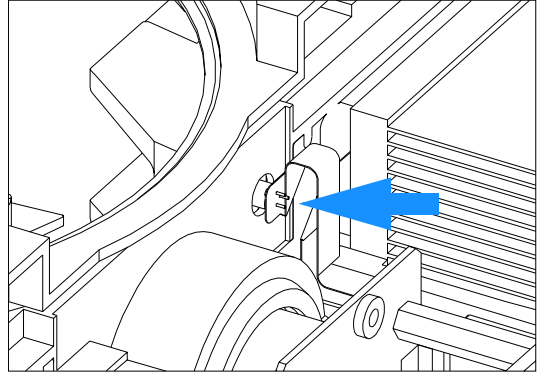
**Ensure that during the next steps the flexible cables close to the heat exchanger assemblies are not damaged.**

## 4 Repairing the Column Compartment

**3** Carefully insert the top plastic panel together with the Z-panel into the guide and press it half-way down.



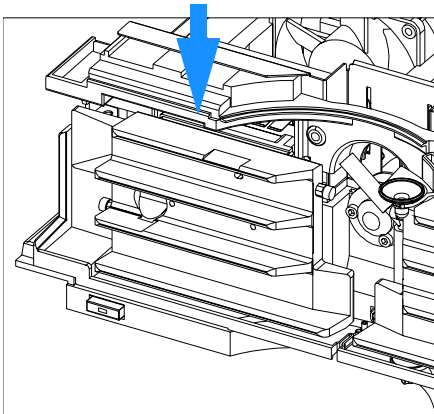
**4** Carefully plug the ambient temperature sensor into the rear of the top plastic panel.



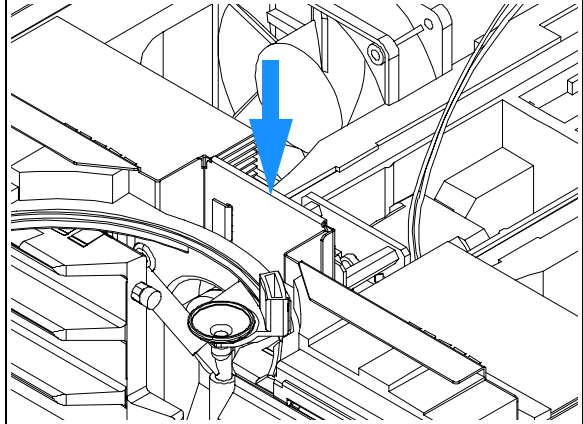
**Ensure that the ambient temperature sensor is completely plugged into the rear of the top plastic panel.**

**Ensure that during the next steps the flexible cables close to the heat exchanger assemblies are not damaged.**

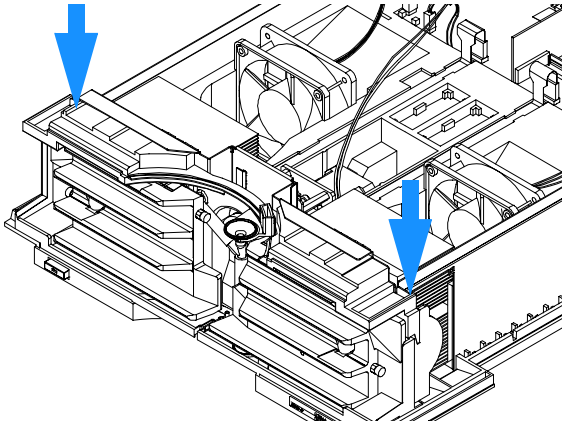
**5** Press the Z-panel together with the Top Plastic Panel completely down.



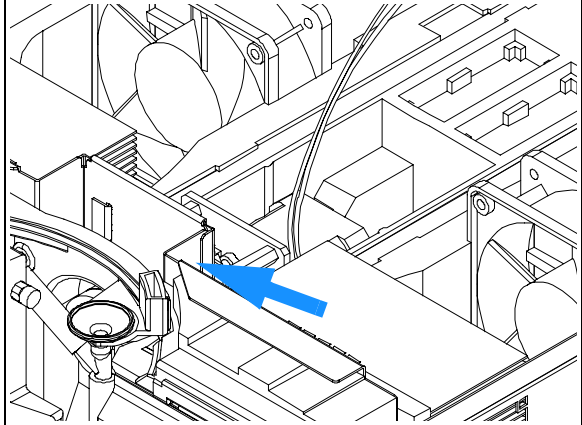
**6** Press down completely until it clicks into its holding position.



7 Fix the Z-panel with the two screws.



8 Reconnect the grounding connection of the valve at the Z-panel.



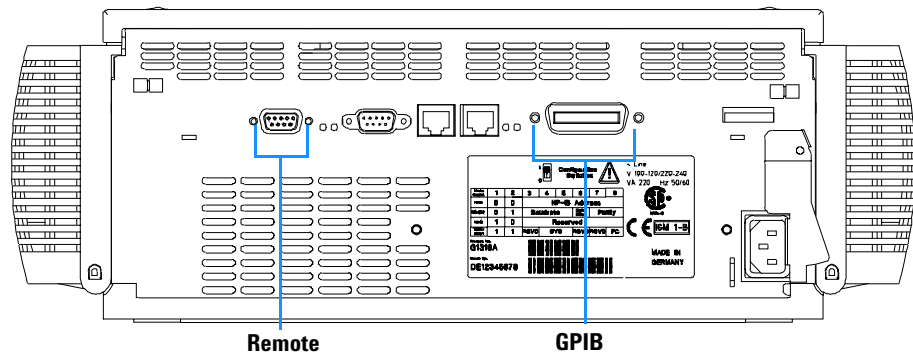
**Next steps:**

- 9 Replace the foam section, the top cover and front cover, see ["Installing the Foam and the Top Cover"](#) on page 96.
- 10 Replace the column compartment into stack.
- 11 Reconnect capillaries.
- 12 Reconnect the power cable.
- 13 Turn on the column compartment.

### Exchanging the Column Compartment Main (CCM) Board

|                       |  |
|-----------------------|--|
| <b>When required</b>  | If board is defective or for repair on other assemblies                      |
| <b>Tools required</b> | Screwdriver Pozidriv 1 PT3<br>Hexagonal wrench 5 mm<br>Hexagonal wrench 7 mm |
| <b>Parts required</b> | Column compartment main board CCM G1316-69520 (exchange assembly)            |

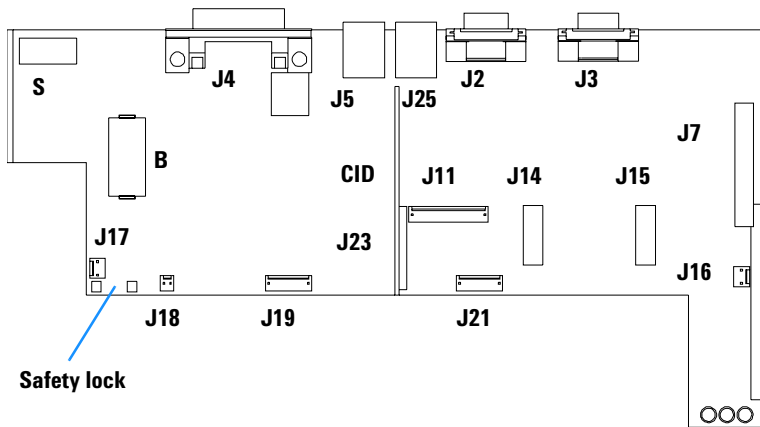
- 1 Switch off the column compartment, and disconnect the cables.
- 2 Remove column compartment from stack and place it on the working bench.
- 3 Remove the front cover, top cover and top foam section, see "[Installing the Foam and the Top Cover](#)" on page 96.



**Figure 16** Unscrew Connectors from Board

- 4 Use a 5 mm and 7 mm wrench to unscrew the REMOTE and the GPIB connector.
- 5 Disconnect all connectors from the processor board.

- J2 - RS-232C
- J3 - REMOTE
- J4 - GPIB
- J5/25 - CAN
- J7 - Power Supply
- J11 - Column Switching Valve
- J14 - Heat Exchanger Assembly (left)
- J15 - Heat Exchanger Assembly (right)
- J16 - Fan Assembly (right)
- J17 - Fan Assembly (left)
- J18 - Leak Sensor
- J19 - Flexboard (left)
- J21 - Flexboard (right)
- J23 - Column Identification Board (CID)
- B - Battery
- S - Configuration Switch



**Figure 17** Location of connectors

- 6 Remove the processor board. Place the board on the ESD kit.
- 7 In most cases the RFI spring plate remains on the interface connectors of the board. Carefully remove the spring plate and place it back into its position in the instrument before installing a new board.
- 8 On the new board check the switch setting of address switch S1, see "[Setting the 8-bit Configuration Switch](#)" on page 157.

#### NOTE

An incorrect switch setting (e.g., TEST/BOOT) may cause the module to turn in a basic mode (yellow or red flashing status light). In such a case turn off the module, re-set the address switches, and turn on the module again.

- 9 Install the new processor board and reconnect the connectors.
- 10 Refit the screws at the REMOTE and GPIB connectors.
- 11 Replace the foam section, the top cover and front cover, see "[Installing the Foam and the Top Cover](#)" on page 96.
- 12 Replace column compartment into the stack and reconnect the cables.

## 4 Repairing the Column Compartment

### NOTE

If a new CCM board is installed, update the serial number information of the column compartment in the user interface, see. procedure below.

---

- 13 Check the firmware revision of the module. If the firmware revision is older than the current firmware revision of the module, update the firmware using the standard firmware update procedure, see ["Replacing the Column Compartment's Firmware"](#) on page 100.

### Entering the Serial Number using the Control Module

- 1 Connect the control module to the column compartment. Turn on the column compartment.
- 2 In the control module, press System (F5), then Records (F4). Using the up/down arrows, make sure that the column compartment is highlighted.
- 3 Press FW Update (F5). Now, press the m key. This will display a box which says 'Update Enter Serial#'.
- 4 Press Enter. This will display the box labeled Serial#.
- 5 Letters and numbers are created using the up and down arrows. Into the box labeled Serial#, enter the 10-character serial number for the column compartment. When the 10-character serial number is entered, press Enter to highlight the complete serial number. Then, press Done (F6).

### NOTE

For firmware revisions below A02.00 it is very important never to press Done if the Serial# box is blank. In this case, the module can no longer be recognized by either the control module or the ChemStation. The main board must then be replaced.

---

- 6 Turn the column compartment off, then on again. The Records screen should display the correct serial number for this module.
- 7 If a ChemStation is also connected, re-boot the ChemStation now as well.

### Entering the Serial Number using the ChemStation

Module serial numbers are entered by typing specific commands into the command line at the bottom of the main user interface screen.

- 1 To enter a module serial number, type the following command into the command line:

```
print sendmodule$(lthm, "ser YYYYYYYYYY")
```

Where: YYYYYYYYYY is the 10-character serial number of the module in question.

**NOTE**

The first two characters are letters, which should be capitalized.

---

The reply line will respond with RA 0000 SER followed by the module serial number you just entered.

- 2 Turn off the column compartment, then on again. Then, re-boot the ChemStation. If the serial number you have just entered is different than the original module serial number, you will be given the opportunity to edit the configure 1100 access screen during the re-boot of the ChemStation.
- 3 After boot-up, the serial number you have just entered can be seen under the Instrument menu of the main user interface screen. The serial number of the column compartment can also be seen by typing the following command into the command line:

```
print sendmodule$ (lthm, "ser?")
```

The reply line will give the module serial number.

## 4 Repairing the Column Compartment

### Replacing the Column Identification Module (CID) Board

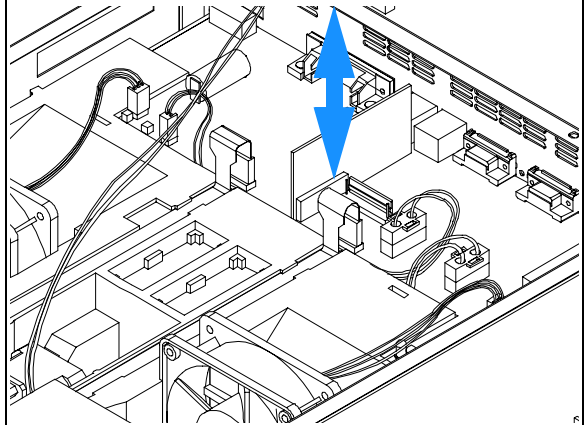
The column identification module board (CID) is plugged onto the column compartment main (CCM) board.

|                       |  |
|-----------------------|--|
| <b>When required</b>  | If board is defective  |
| <b>Tools required</b> | Screwdriver Pozidriv 1 PT3<br>Hexagonal wrench 5 mm<br>Hexagonal wrench 7 mm |
| <b>Parts required</b> | Column identification module board (CID) G1316-66503                         |

#### Preparations for this procedure:

- Turn off the column compartment.
- Disconnect the power cable.
- Disconnect capillaries.
- Remove column compartment from stack and place it on the working bench.
- Remove the front cover, top cover and top foam section, see "[Installing the Foam and the Top Cover](#)" on page 96.

#### 1 Carefully exchange the CID board.



- 4 Replace the foam section, the top cover and front cover, see "[Installing the Foam and the Top Cover](#)" on page 96.



## Exchanging the Fan

**When required**  
**Tools required**  
**Parts required**

If the fan is defective or noisy or for repair of other assemblies  
Screwdriver Pozidriv 1 PT3  
Fan assembly 3160-1017

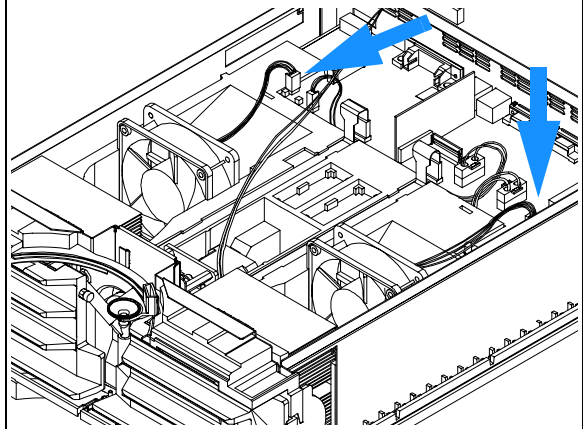
### CAUTION

The fan must be installed in the correct orientation to ensure optimum cooling and operation of the column compartment.

#### Preparations for this procedure:

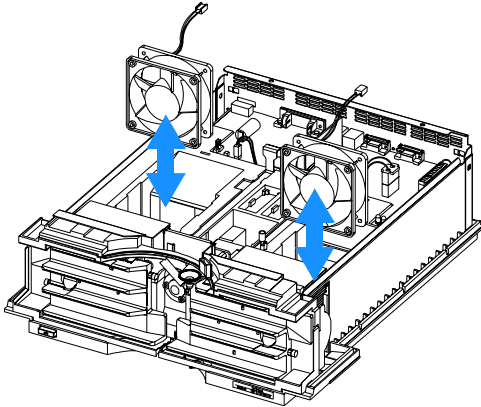
- Turn off the column compartment.
- Disconnect the power cable.
- Disconnect capillaries.
- Remove column compartment from stack and place it on the working bench.
- Remove the front cover, top cover and top foam section, see "[Installing the Foam and the Top Cover](#)" on page 96.

1 Disconnect the fan assembly from the processor board.

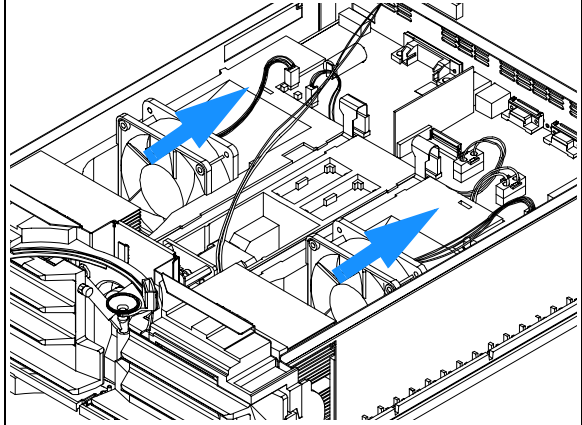


## 4 Repairing the Column Compartment

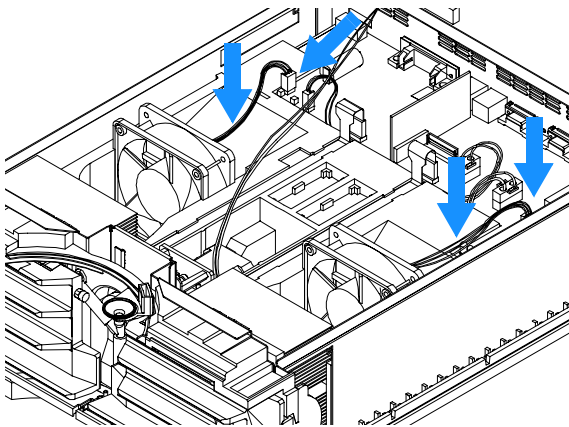
**2** Replace the fan assembly. Ensure correct fan orientation.



**3** The arrow on the fan should correspond with the direction of air flow which is from the front to the rear of the column compartment.



**4** Reconnect the fan assembly to the processor board and check that the cable of the left fan is correctly in the foam channel to assure correct closing of the foam parts.



**5** Replace the foam section, the top cover and front cover, see "[Installing the Foam and the Top Cover](#)" on page 96.

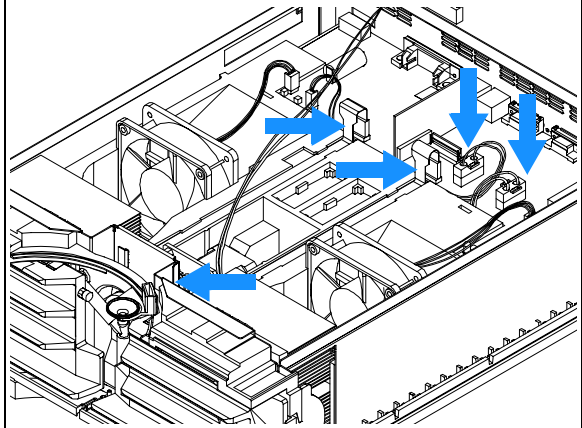
## Removing the Heat Exchanger Assemblies

|                       |  |
|-----------------------|--|
| <b>When required</b>  | If the heater is leaking, blocked or does not heat/cool or other assemblies have to be removed                                 |
| <b>Tools required</b> | Screwdriver Pozidriv 1 PT3<br>Wrench 1/4 – 5/16 inch for capillary connections   |
| <b>Parts required</b> | Heat exchanger assembly (left) G1316-60007, includes ambient temperature sensor<br>Heat exchanger assembly (right) G1316-60006 |

### Preparations for this procedure:

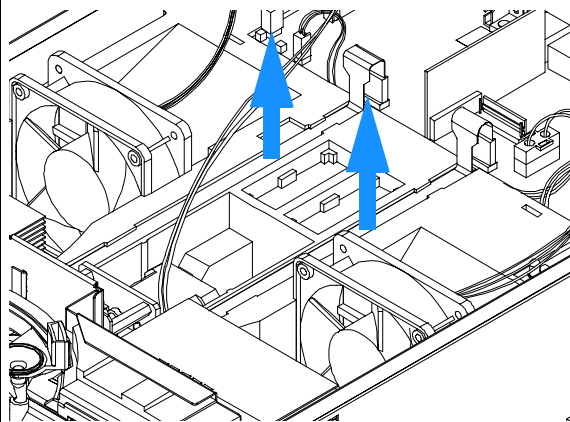
- Turn off the column compartment.
- Disconnect the power cable.
- Disconnect capillaries.
- Remove column compartment from stack and place it on the working bench.
- Remove the front cover, top cover and top foam section, see "[Installing the Foam and the Top Cover](#)" on page 96.

- 1 Disconnect the heat exchanger cables from the processor board and the grounding connection of the column switching valve.

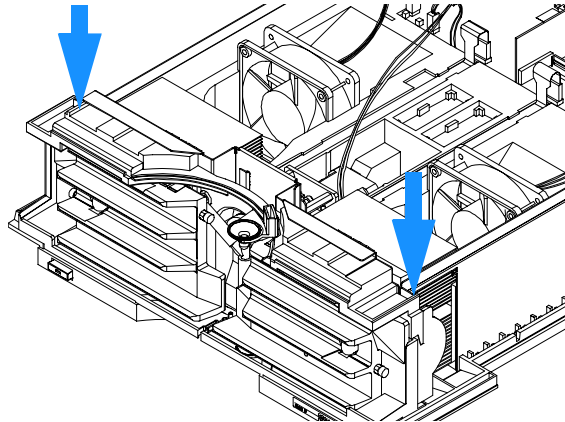


## 4 Repairing the Column Compartment

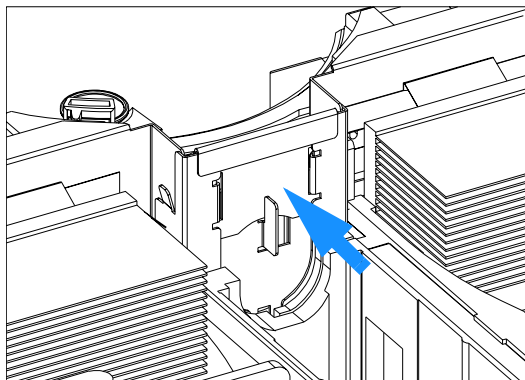
**2** Carefully pull out the heater cables out of the foam channels.



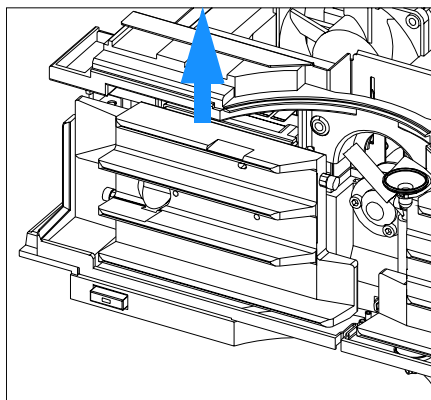
**3** Unscrew the Z-panel.



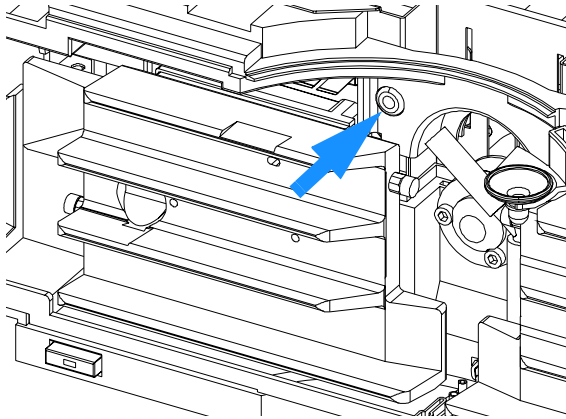
**4** Press against the rear of the Z-panel to release the metal plate from the guide and pull it carefully upwards.



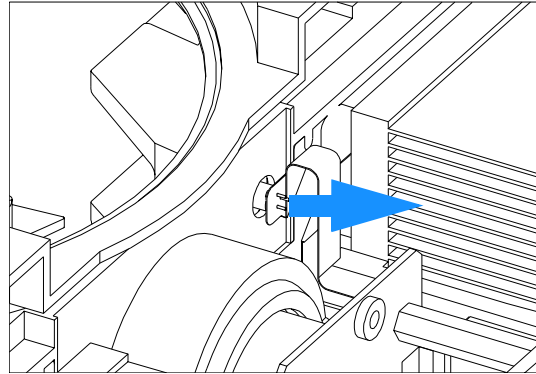
**5** Lift the Z-panel together with the top plastic panel half-way out of the guide.



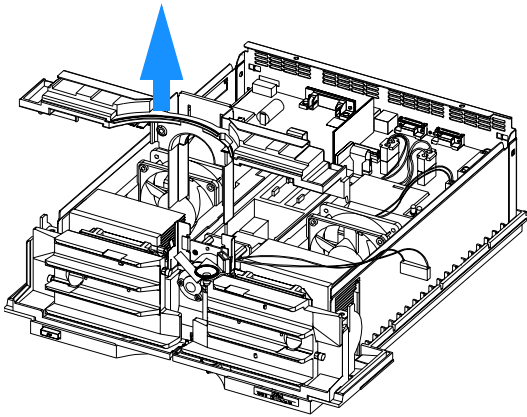
**6** Locate the ambient temperature sensor in the top plastic part.



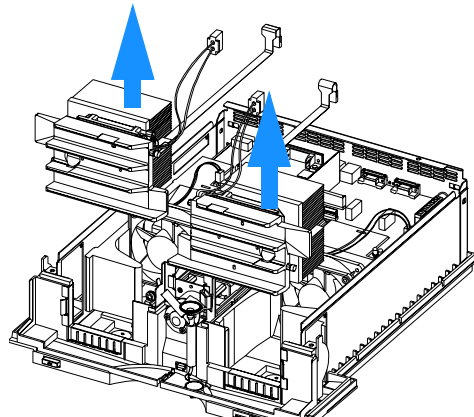
**7** Carefully remove the ambient temperature sensor plugged into the rear of the top plastic panel.



**8** Carefully pull out the top plastic panel together with the Z-panel completely.



**9** Remove the heat exchanger assembly.



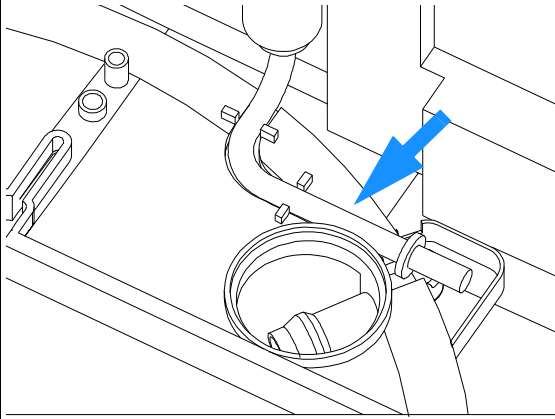
**The repair level of the heat exchanger assemblies is the complete assembly.**

## 4 Repairing the Column Compartment

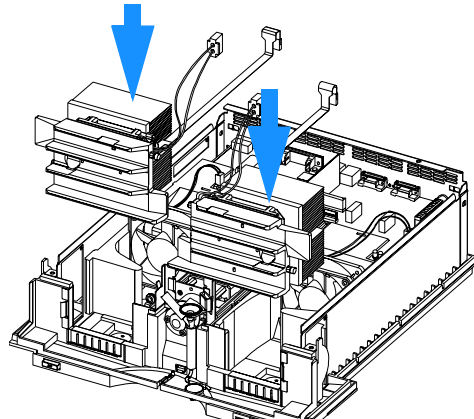
### Installing the Heat Exchanger Assemblies

|                       |  |
|-----------------------|--|
| <b>When required</b>  | If the heat exchanger is leaking, blocked or does not heat/cool or other assemblies have to be removed                         |
| <b>Tools required</b> | Screwdriver Pozidriv 1 PT3<br>Wrench 1/4 – 5/16 inch for capillary connections   |
| <b>Parts required</b> | Heat exchanger assembly (left) G1316-60007, includes ambient temperature sensor<br>Heat exchanger assembly (right) G1316-60006 |

**1** Replace the leak tubing assembly into its location on leak base. Ensure that it keeps in this position during the next steps.

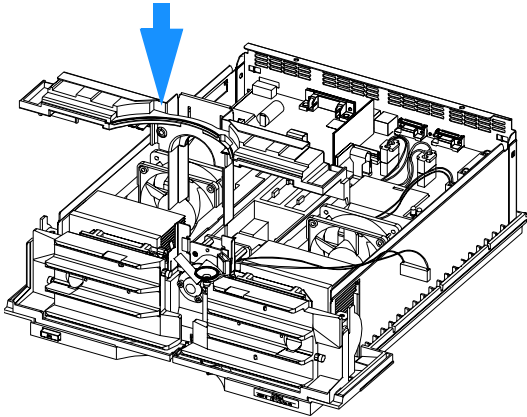


**2** Replace the heat exchanger assembly. A screwdriver might be helpful to insert the silicon isolation.

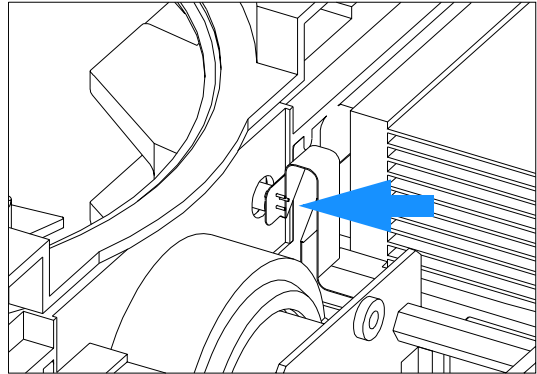


**Ensure that during the next steps the flexible cables close to the heat exchanger assemblies are not damaged.**

**3** Carefully insert the top plastic panel together with the Z-panel into the guide and press it half-way down.



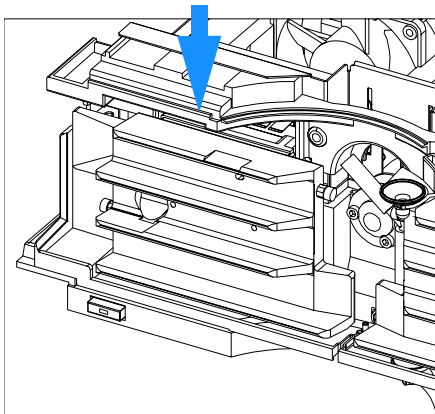
**4** Carefully plug the temperature sensor into the rear of the top plastic panel.



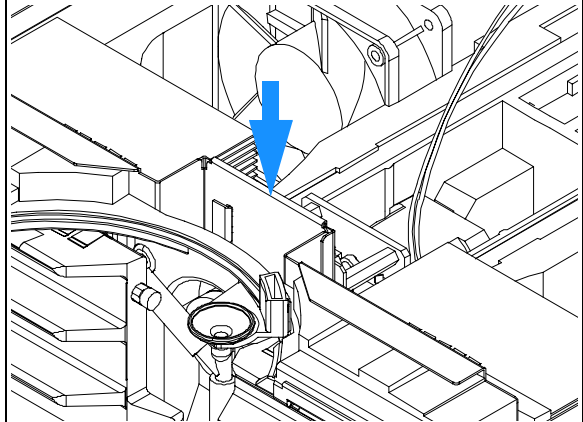
**Ensure that the ambient temperature sensor is completely plugged into the rear of the top plastic panel.**

**Ensure that the flexible cables close to the heat exchanger assemblies are not damaged.**

**5** Press the Z-panel together with the top plastic panel completely down.

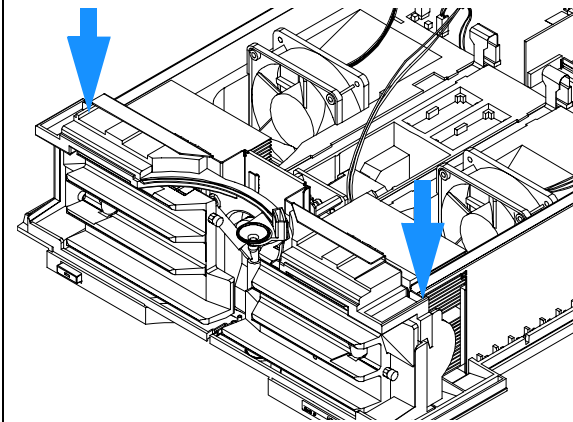


**6** Press down completely until it clicks into its holding position.

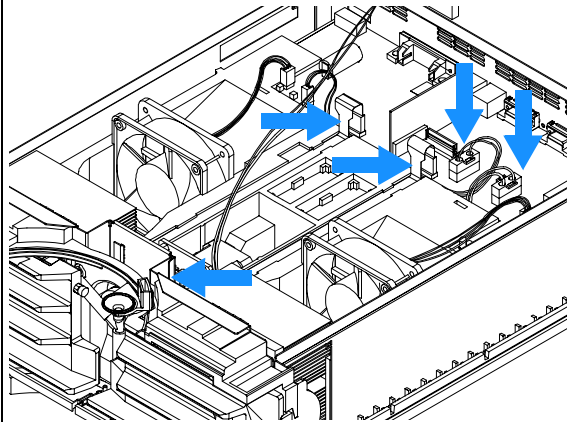


## 4 Repairing the Column Compartment

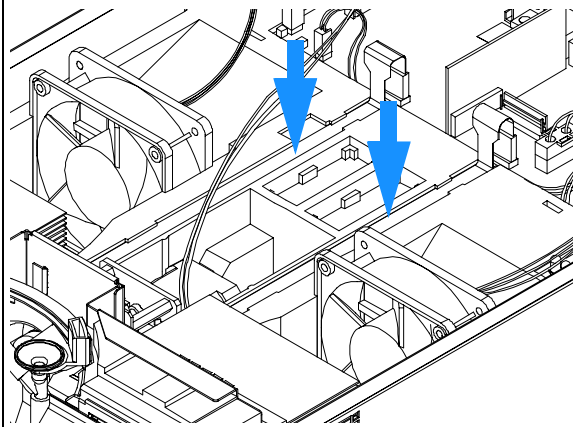
7 Fix the Z-panel with the two screws.



8 Reconnect the heat exchanger cables to the processor board and the grounding connection of the column switching valve.



9 Carefully replace the heat exchanger cables into the foam channels.



### Next steps:

- 10 Replace the foam section, the top cover and front cover, see "[Installing the Foam and the Top Cover](#)" on page 96.
- 11 Replace the column compartment into stack.
- 12 Reconnect capillaries.
- 13 Reconnect the power cable.
- 14 Turn on the column compartment.



## Exchanging the Power Supply

|                       |   |
|-----------------------|---|
| <b>When required</b>  | If defective  |
| <b>Tools required</b> | Screwdriver Pozidriv 1 PT3<br>Wrench 1/4 inch<br>Wrench 5 mm and 7 mm |
| <b>Parts required</b> | Power supply 0950-2528  |

### NOTE

The repair level of the power supply assembly is exchange of the complete assembly. No serviceable parts inside.

---

- 1 Switch off the column compartment, and disconnect the cables.
- 2 Remove column compartment from stack and place it on the working bench.
- 3 Remove the front cover, top cover and top foam section, see "[Removing the Top Cover and Foam](#)" on page 65.
- 4 Remove the column switching valve (if installed), see "[Removing the Column Switching Valve](#)" on page 68.
- 5 Remove the processor board, see "[Exchanging the Column Compartment Main \(CCM\) Board](#)" on page 74.
- 6 Remove the fan assemblies, see "[Exchanging the Fan](#)" on page 79.
- 7 Remove the heat exchanger assemblies, see "[Removing the Heat Exchanger Assemblies](#)" on page 81.

### NOTE

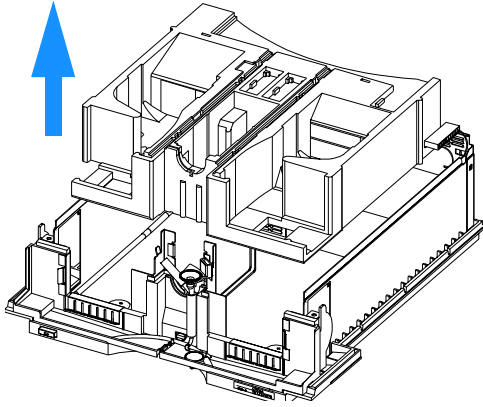
The leak tubing assembly might fall out of its position.

---

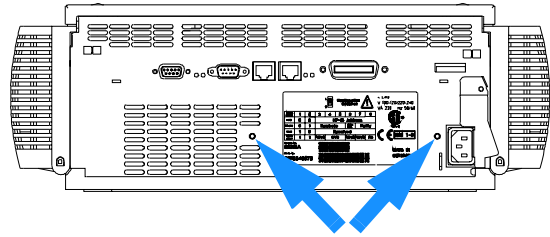
- 8 Remove the leak sensor cable out of the foam channel.

## 4 Repairing the Column Compartment

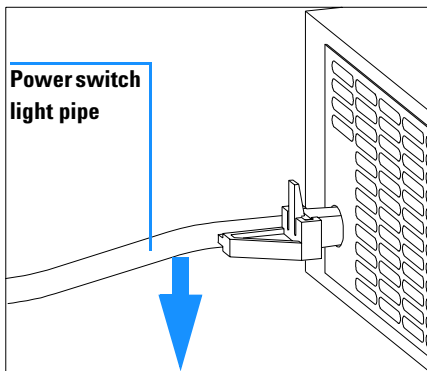
**15** Carefully remove the bottom foam.



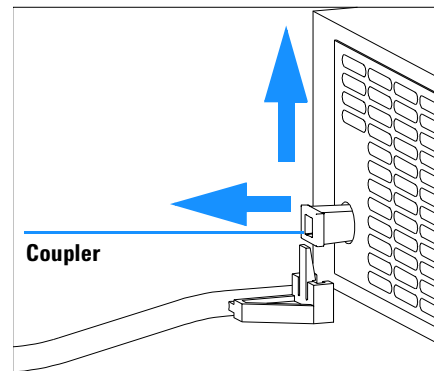
**16** Unscrew the power supply at the rear of the column compartment.



**17** Press down the power switch light pipe to remove it from the coupler.

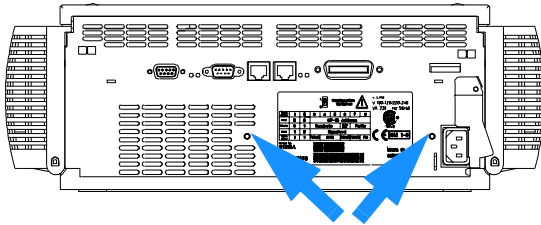


**18** Remove the power supply completely.  
Re-use the coupler on the new power supply.

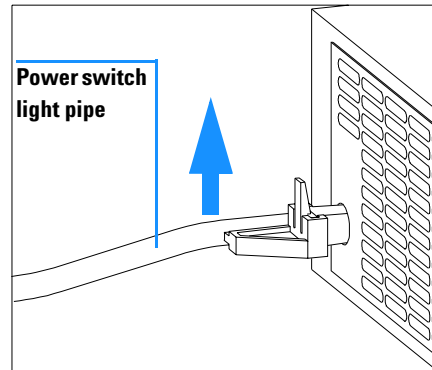


**The repair level of the power supply assembly is exchange of the complete assembly. No serviceable parts inside.**

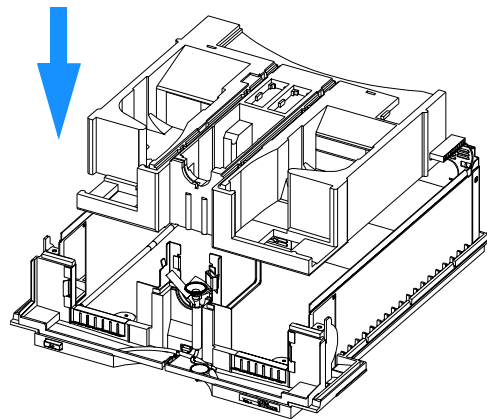
**19** Insert the power supply into its location and fix it with the screw at the rear panel.



**20** Press down and clip in the power switch light pipe into the power supply.



**21** Reinstall bottom foam part.



**Next steps:**

- 22 Reinstall the processor board, see ["Exchanging the Column Compartment Main \(CCM\) Board"](#) on page 74.
- 23 Reinstall the fan assemblies, see ["Exchanging the Fan"](#) on page 79.
- 24 Reinstall the heat exchanger assemblies, see ["Installing the Heat Exchanger Assemblies"](#) on page 84.
- 25 Replace the foam section, the top cover and front cover, see ["Installing the Foam and the Top Cover"](#) on page 96.
- 26 Replace column compartment into the stack.
- 27 Reconnect the power cable and turn on the column compartment.

## 4 Repairing the Column Compartment

### Replacing the Leak Sensor or Leak Base

**When required**

If leak sensor is defective or leak base is damaged

**Tools required**

Screwdriver Pozidriv 1 PT3

Screwdriver flat blade

Wrench 1/4 inch

Hexagonal wrench 3 mm

**Parts required**

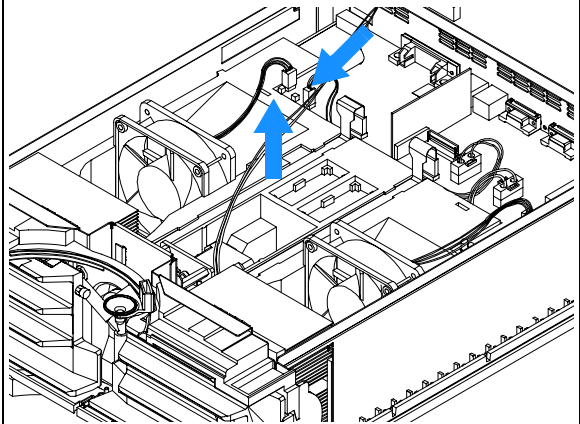
Leak sensor assembly 5061-3356

Leak base G1316-43101 (part of leak panel kit G1316-68700)

**Preparations for this procedure:**

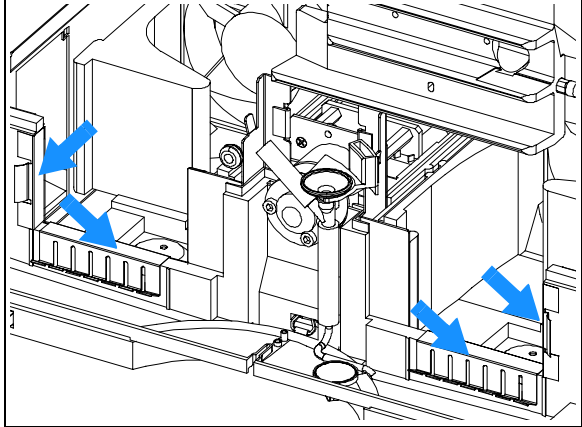
- Switch off the column compartment, and disconnect the power cable.
- Remove column compartment from stack and place it on the working bench.
- Remove the front cover, top cover and top foam section, see "[Removing the Top Cover and Foam](#)" on page 65.

- 1** Disconnect the leak sensor assembly from the processor board and pull the cable out of the foam channel.

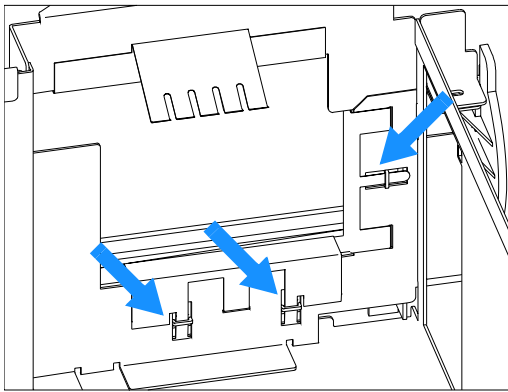


- 2 Remove the column switching valve (if installed), see "Removing the Column Switching Valve" on page 68.
- 3 Remove the heat exchanger assemblies, see "Removing the Heat Exchanger Assemblies" on page 81.

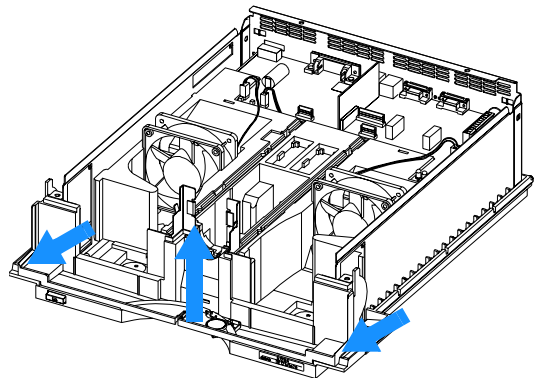
4 Locate the clips.



5 Remove the clips (shown from the inside of the column compartment) on both sides using a flat screwdriver.

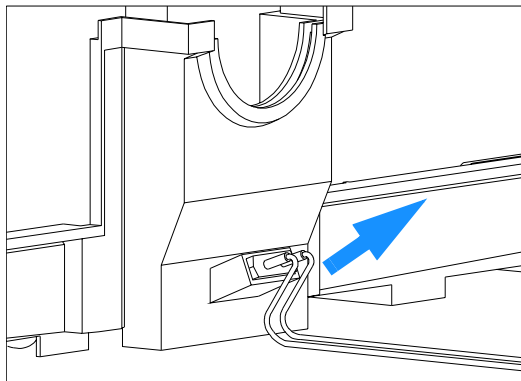


6 Remove the leak base from the cabinet by unlocking it with a flat blade on the right and left side of the leak base.

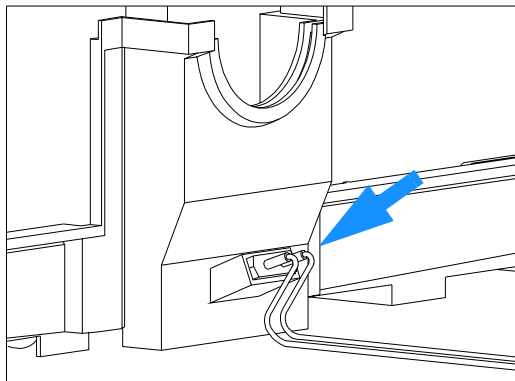


## 4 Repairing the Column Compartment

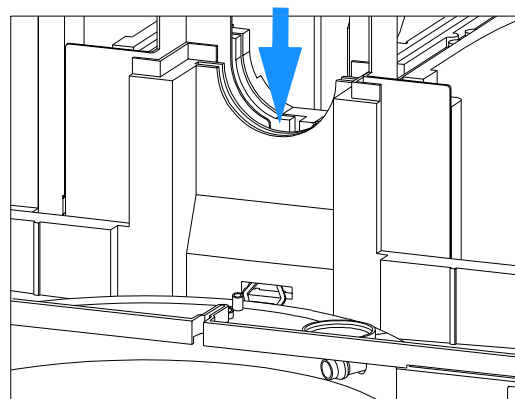
**7** Remove the leak sensor assembly from the rear of the leak base.



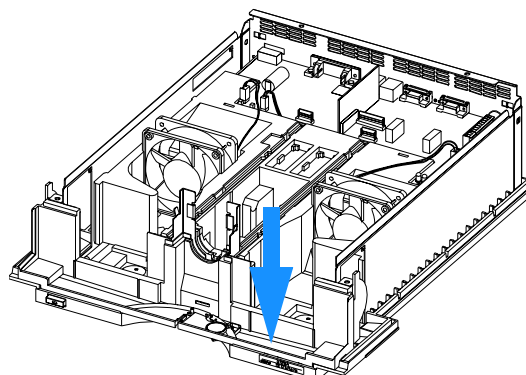
**8** Replace the leak sensor assembly into the leak base.



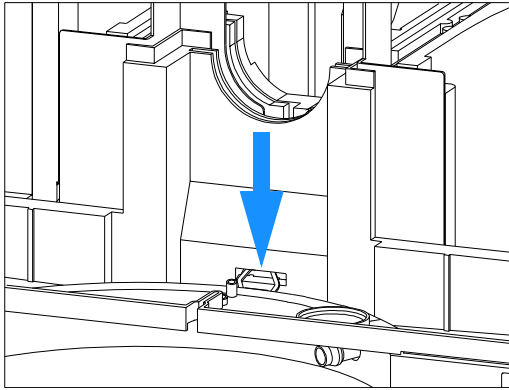
**9** Route the leak sensor cable through the z-panel into the left foam channel.



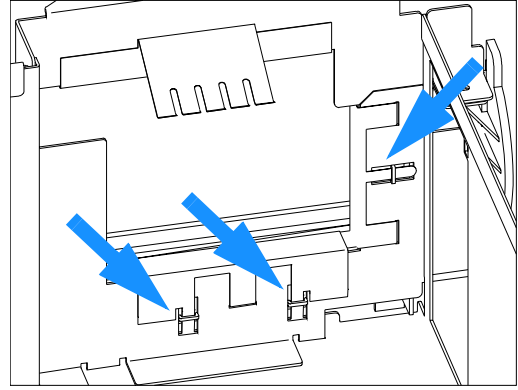
**10** Replace the leak base into the cabinet until it clicks into the cabinet. Insert the right side first.



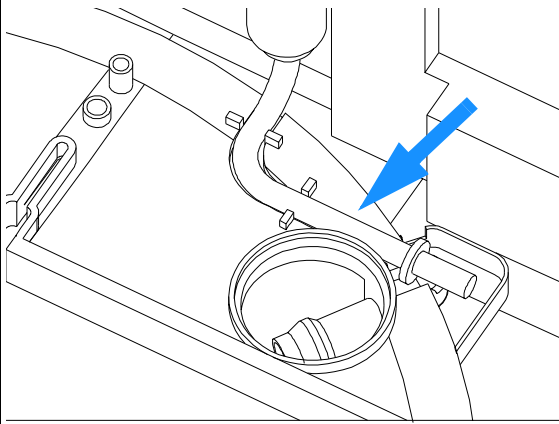
**11** Position the leak sensor so that it does not touch the bottom of the leak base.



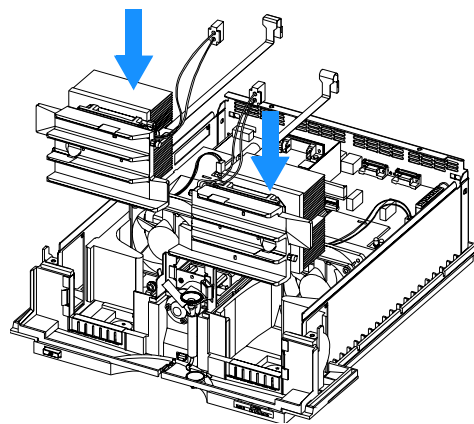
**12** Replace the clips (shown from the inside of the column compartment) on both sides using a flat screwdriver.



**13** Replace the leak tubing assembly into its location on leak base. Ensure that it keeps in this position during the next steps.

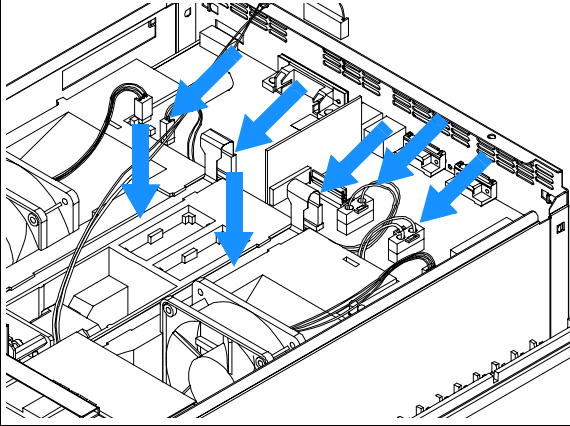


**14** Replace the heat exchanger assemblies, see "[Installing the Heat Exchanger Assemblies](#)" on page 84.



## 4 Repairing the Column Compartment

**15** Reconnect the leak sensor and heat exchanger cables to the processor board and place the cables in the foam channel.



### Next steps:

- 16 Replace the foam section, the top cover and front cover, see "[Installing the Foam and the Top Cover](#)" on page 96.
- 17 Replace the column compartment into the stack.
- 18 Reconnect the cables.
- 19 Turn on the column compartment.



## Replacing Status Light Pipe

**When required****Tools required****Parts required**

When part is broken

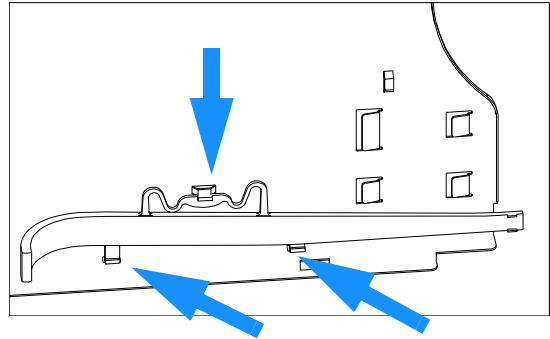
Screwdriver Pozidriv 1 PT3

Status light pipe 5041-8384

**Preparations for this procedure:**

- Remove the front cover and top cover, see "[Removing the Top Cover and Foam](#)" on page 65.

1 The status light pipe is clipped into the top cover.

**Next steps:**

- Replace the foam section, the top cover and front cover, see "[Installing the Foam and the Top Cover](#)" on page 96.
- Replace the column compartment into the stack and reconnect the cables and capillaries.
- Turn on the column compartment.

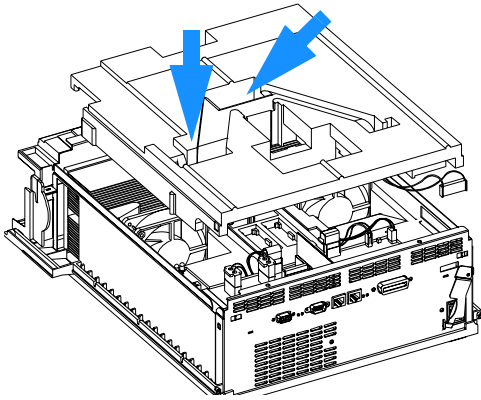
## 4 Repairing the Column Compartment

### Installing the Foam and the Top Cover

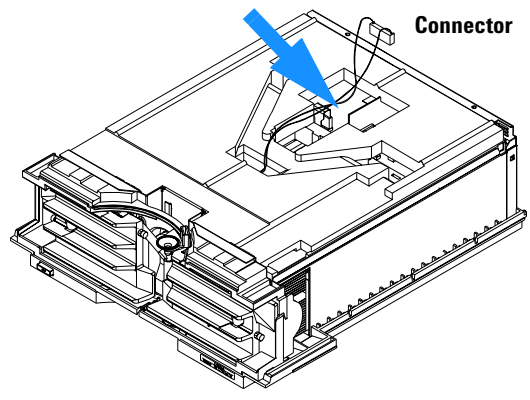
**When required**  
**Tools required**  
**Prerequisites**

When all repairs have been completed  
Screwdriver Pozidriv 1 PT3  
The column compartment is open and other procedures have been carried out

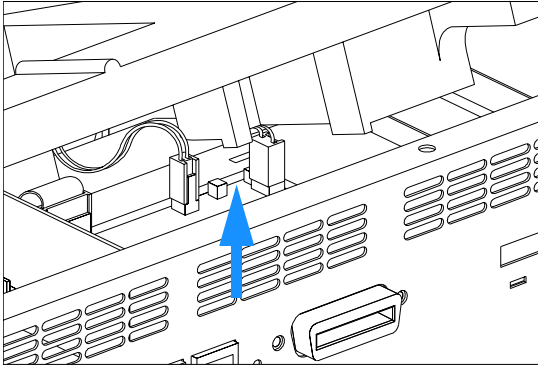
**1** Route the valve connector through the top foam and carefully fit the top foam into the column compartment.



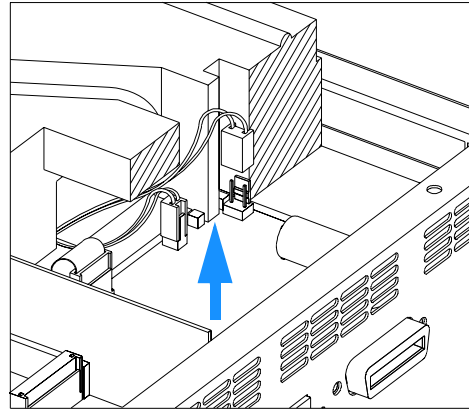
**2** Reconnect the valve connector to the main board.



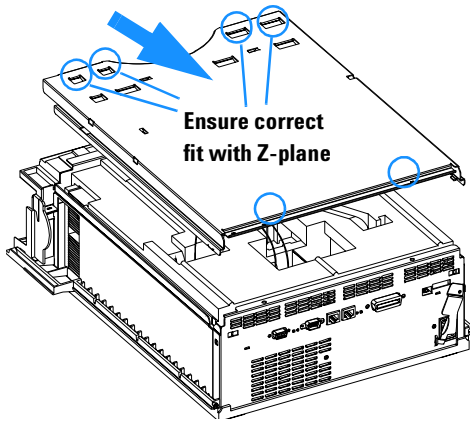
**3** Make sure that the foam is installed correctly and is located in the safety light switch.



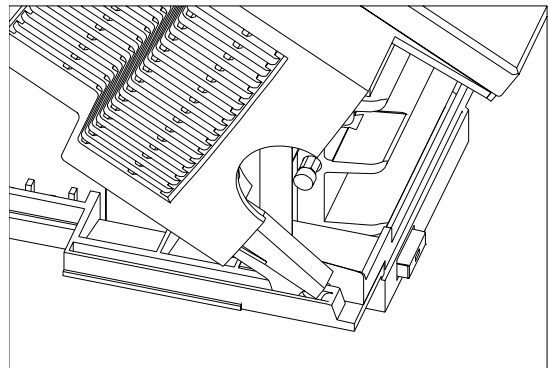
**4** Position of the foam in the safety light switch.



**5** Place the top plate on the foam and slide it towards the rear and fix the screws at the rear of the top plate.

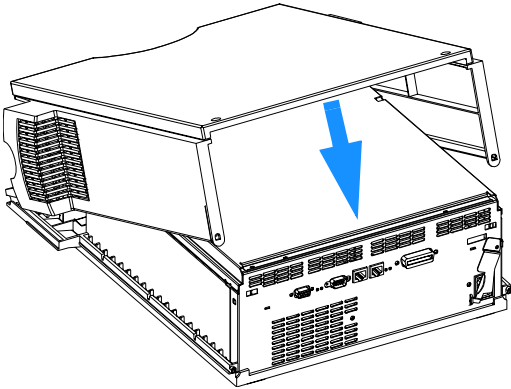


**6** Place the top cover into the guides.

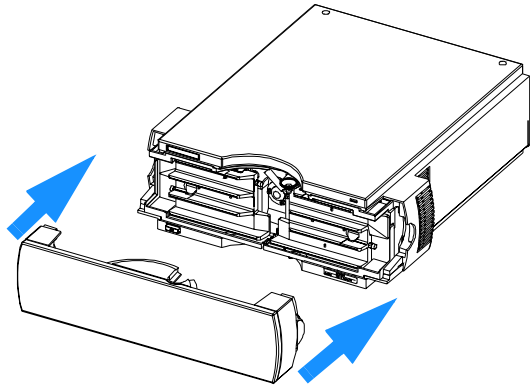


## 4 Repairing the Column Compartment

7 Replace the cover.



8 Replace the front panel.



### Next steps:

- 9 Replace the column compartment into the stack.
- 10 Reconnect the cables.
- 11 Turn on the column compartment.

## Assembling the Main Cover

|                       |   |
|-----------------------|---|
| <b>When required</b>  | If cover was broken   |
| <b>Tools required</b> | None  |
| <b>Parts required</b> | Plastics kit G1316-68703 (includes base, top, left and right) |

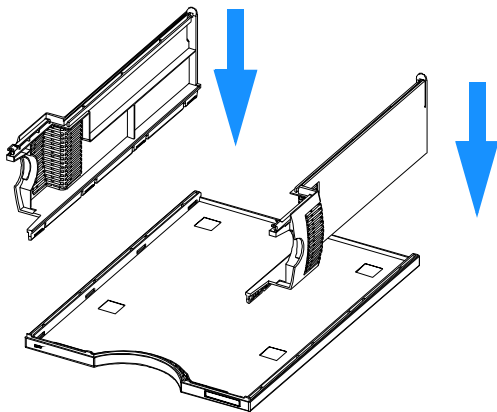
**NOTE**

The plastics kit contains all parts, but it is not assembled.

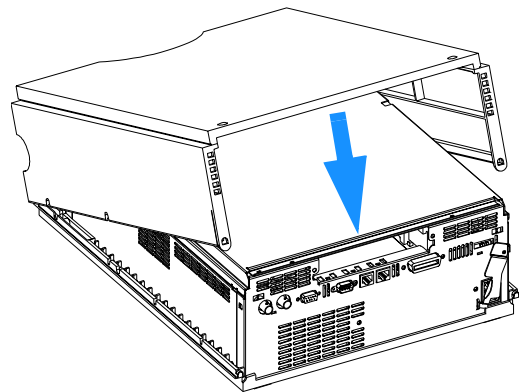
**WARNING**

In case you insert the left or right side in the opposite position, you may not be able to remove the side from the top part.

**1** Place the top part on the bench and insert the left and right side into the top part.



**2** Replace the cover.



**3** Replace the column compartment into the stack and reconnect the cables and capillaries.

**4** Turn on the column compartment.

### Replacing the Column Compartment's Firmware

The installation of new firmware is required

- if new version solves problems of currently installed version.
- if after exchange of the processor board (CCM) the version on board is older than previous installed one.

To upgrade the column compartment's firmware the following steps have to be performed:

- 1** Load the firmware into the column compartment, see the help system of your user interface.
- 2** Perform a "[Temperature Calibration Procedure](#)" on page 46 to add the recalibration parameters into the board's memory (only necessary if a temperature calibration was done before).
- 3** If the CCM board was exchanged, re-enter the serial number information of the column compartment through the user interface, see "[Entering the Serial Number using the Control Module](#)" on page 76 or "[Entering the Serial Number using the ChemStation](#)" on page 76.

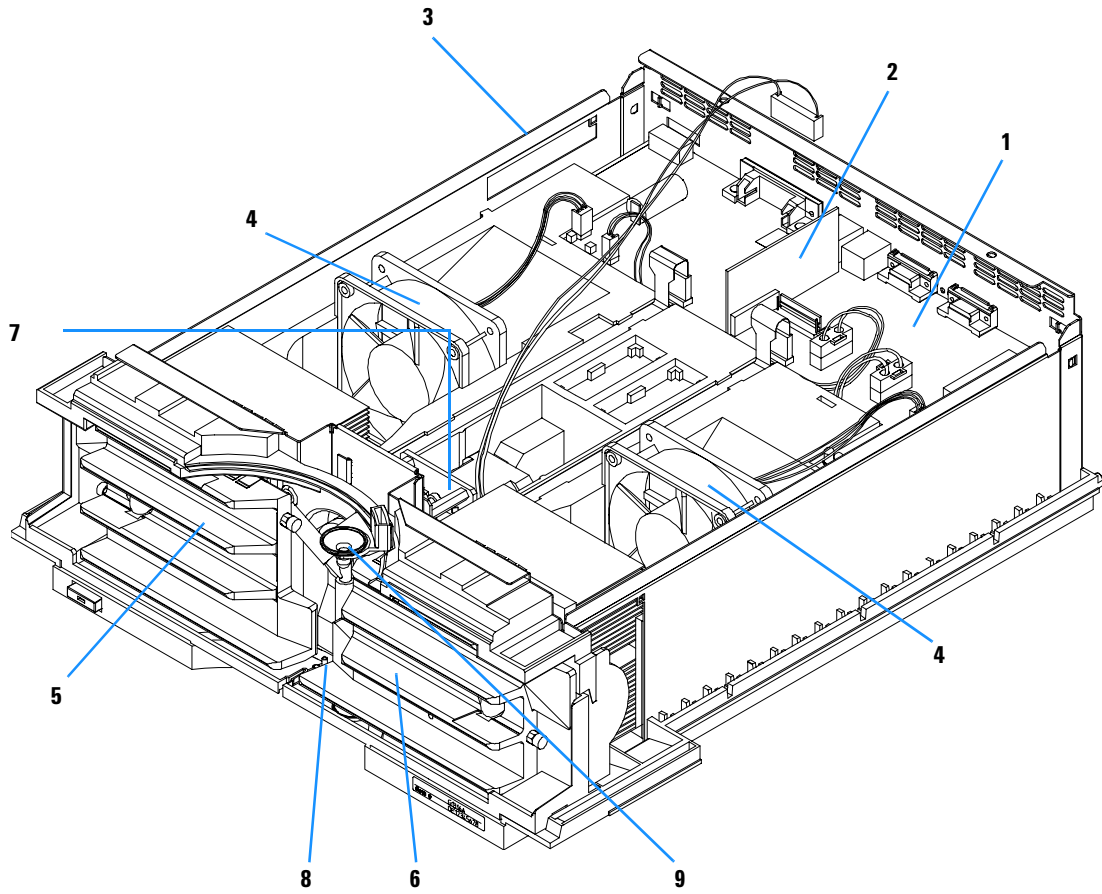


## 5 Identifying Parts and Materials

|                              |     |
|------------------------------|-----|
| Overview of Main Assemblies  | 102 |
| Control Module               | 104 |
| Column Switching Valve       | 105 |
| Sheet Metal Kit              | 107 |
| Plastic Parts                | 108 |
| Foam Parts                   | 109 |
| Power and Status Light Pipes | 110 |
| Leak Parts                   | 111 |
| Accessory Kit                | 112 |
| Cable Overview               | 113 |
| RS-232C Cable Kit            | 130 |
| LAN Cables                   | 131 |



## Overview of Main Assemblies



**Figure 18** Overview on Main Assemblies



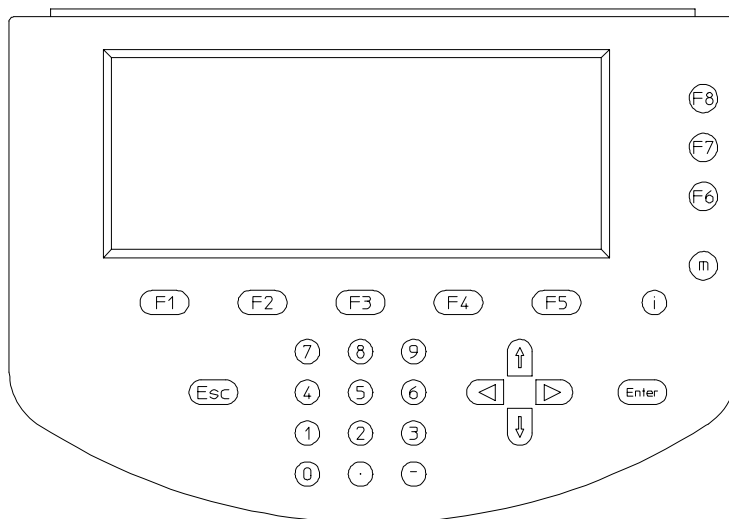
**Table 5** Main Assemblies

| Item | Description  | Part Number                  |
|------|--|------------------------------|
| 1    | Column compartment main board CCM (exchange part)  | G1316-69520                  |
|      | Hexagonal nut for GPIB connector   | 0380-0643                    |
|      | Hexagonal nut for RS-232 connector   | 1251-7788                    |
|      | Cable CAN to Agilent 1100 Series modules   | 5181-1516                    |
| 2    | Column identification board CID  | G1316-66503                  |
| 3    | Power supply assembly, additional power and status light parts, see <a href="#">page 110</a>             | 0950-2528                    |
| 4    | Fan assembly   | 3160-1017                    |
| 5    | Heater (left)  | G1316-60007                  |
| 6    | Heater (right)   | G1316-60006                  |
| 7    | Column switching valve (optional), additional column switching valve parts, see <a href="#">page 105</a> | 0101-0920                    |
| 8    | Leak sensor assembly   | 5061-3356                    |
| 9    | Leak handling parts  | See <a href="#">page 111</a> |
|      | Low dispersion capillary (0.12 mm i.d., 70 mm)   | G1316-87303                  |
|      | Capillary Kit Column Switching, see <a href="#">page 105</a>   | G1316-68708                  |
|      | Cover plate (when switching valve is not installed)  | G1316-44103                  |
|      | Front cover and plastic parts (housing)  | See <a href="#">page 108</a> |
|      | Sheet metal parts  | See <a href="#">page 107</a> |
|      | Foam parts   | See <a href="#">page 109</a> |

## Control Module

**Table 6** Control Module Parts

| Item | Description   | Part Number |
|------|---|-------------|
|      | Control Module, replacement part including cable      | G1323-67001 |
|      | Plastic Housing Kit, includes front, back and a clamp | 5062-8583   |
|      | CAN cable Agilent 1100 module to control module       | G1323-81600 |



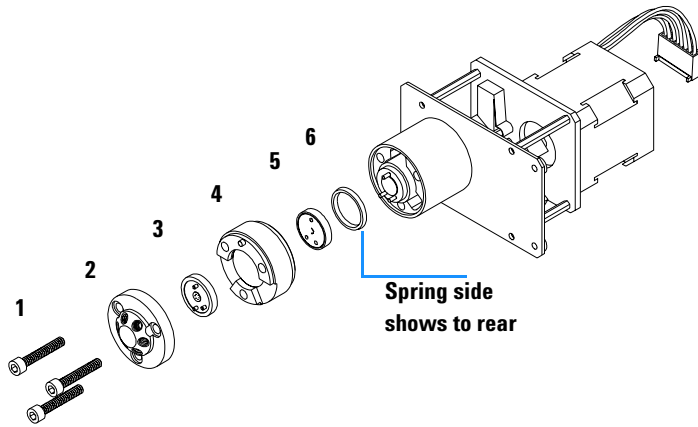
**Figure 19** Control Module

## Column Switching Valve

**Table 7** Column Switching Valve Parts

| Item | Description   | Part Number                               |
|------|---|---|
|      | Column switching valve kit,<br>includes valve and Capillary Kit CSV   | G1353-68700                               |
|      | Column switching valve (complete assembly)  | 0101-0920                                 |
|      | Cover plate (when switching valve is not installed)   | G1316-44103                               |
|      | Capillary Kit Column Switching includes<br>two capillaries (0.17mm i.d., 180 mm) and<br>three capillaries (0.17 mm i.d., 90 mm) | G1316-68708<br>G1313-87305<br>G1316-87300 |
| 1    | Stator screws   | 1535-4857                                 |
| 2    | Stator Head   | 0100-1850                                 |
| 3    | Stator face   | 0100-1851                                 |
| 4    | Stator ring   |   |
| 5    | Rotor seal 3 grooves (Tefzel)   | 0100-1854                                 |
|      | Rotor seal 3 grooves (Vespel)   | 0100-1855                                 |
| 6    | Isolation seal  | 0100-1852                                 |

## 5 Identifying Parts and Materials

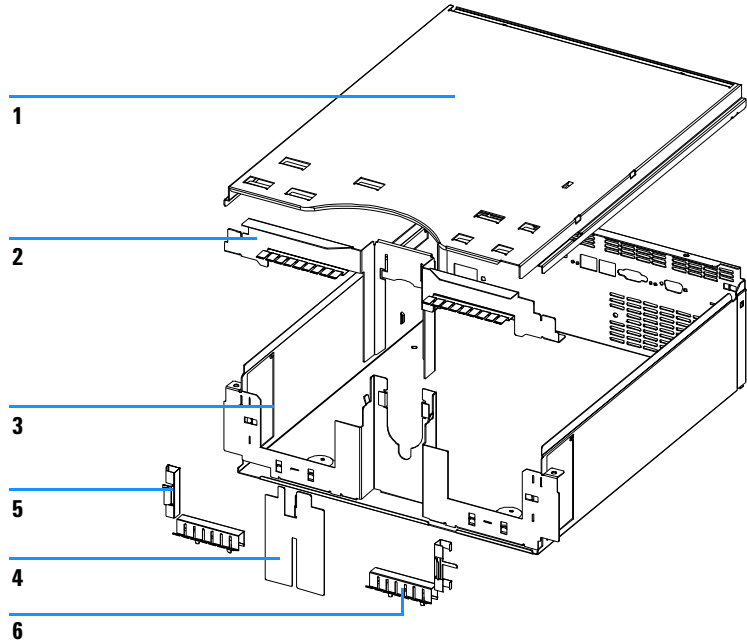


**Figure 20** Column Switching Valve Parts

# Sheet Metal Kit

**Table 8** Sheet Metal Kit Parts

| Item | Description                               | Part Number |
|------|---|-------------|
|      | Sheet metal kit includes items 1, 2 and 3 | G1316-68701 |
| 4    | RFI shield                                | G1316-00600 |
| 5    | RFI spring side                           | G1316-09100 |
| 6    | RFI spring bottom                         | G1316-09102 |



**Figure 21** Sheet Metal Kit Parts

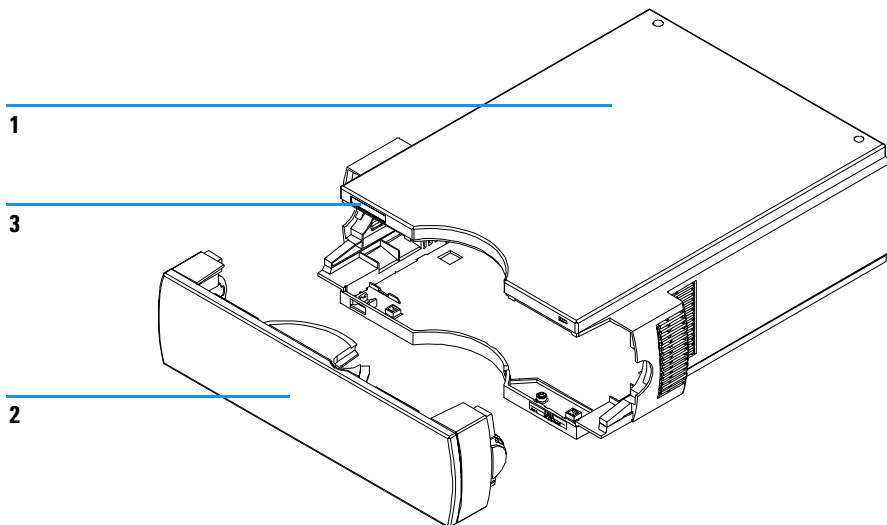
## Plastic Parts

**Table 9** Plastic Parts

| Item | Description                               | Part Number |
|------|---|-------------|
| 1    | Plastic kit, includes base, sides and top | G1316-68703 |
| 2    | Front cover                               | G1316-68704 |
| 3    | Name plate Agilent 1100 Series            | 5042-1381   |

**NOTE**

For correct assembling of the top and sides, see "[Assembling the Main Cover](#)" on page 99.



**Figure 22** Plastic Parts

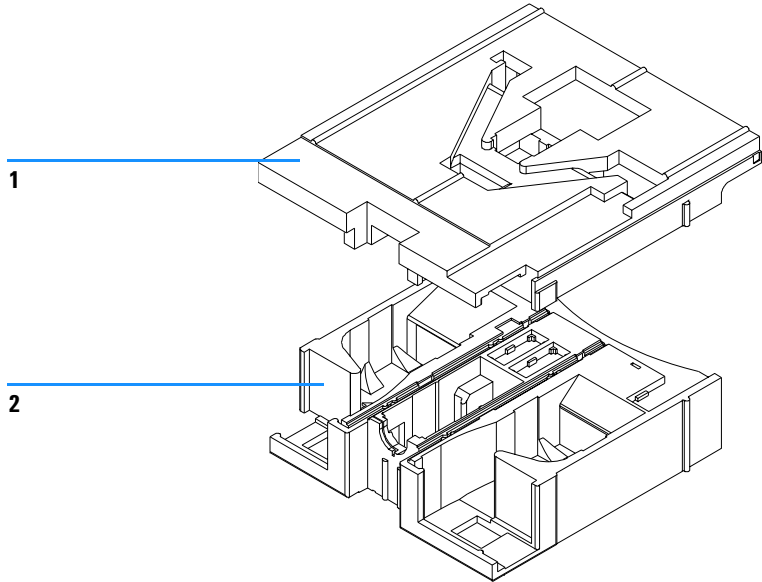
# Foam Parts

**Table 10** Foam Parts

| Item | Description                    | Part Number |
|------|--------------------------------|-------------|
| 1, 2 | EPP foam kit, includes 1 and 2 | G1316-68702 |
| 1    | Top                            |             |
| 2    | Base                           |             |

**NOTE**

Do not order the individual part numbers mentioned on the foam.

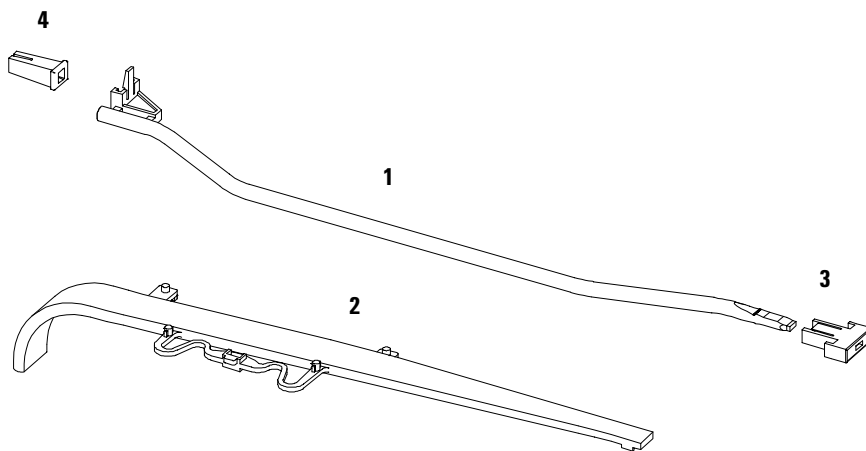


**Figure 23** Foam Parts

## Power and Status Light Pipes

**Table 11** Power and Status Light Pipes

| Item | Description                       | Part Number |
|------|-----------------------------------|-------------|
|      | Power supply assembly             | 0950-2528   |
| 1    | Power light pipe                  | 5041-8382   |
| 2    | Status light pipe                 | 5041-8384   |
| 3    | Power switch button               | 5041-8381   |
| 4    | Coupler for power supply actuator | 5041-8383   |



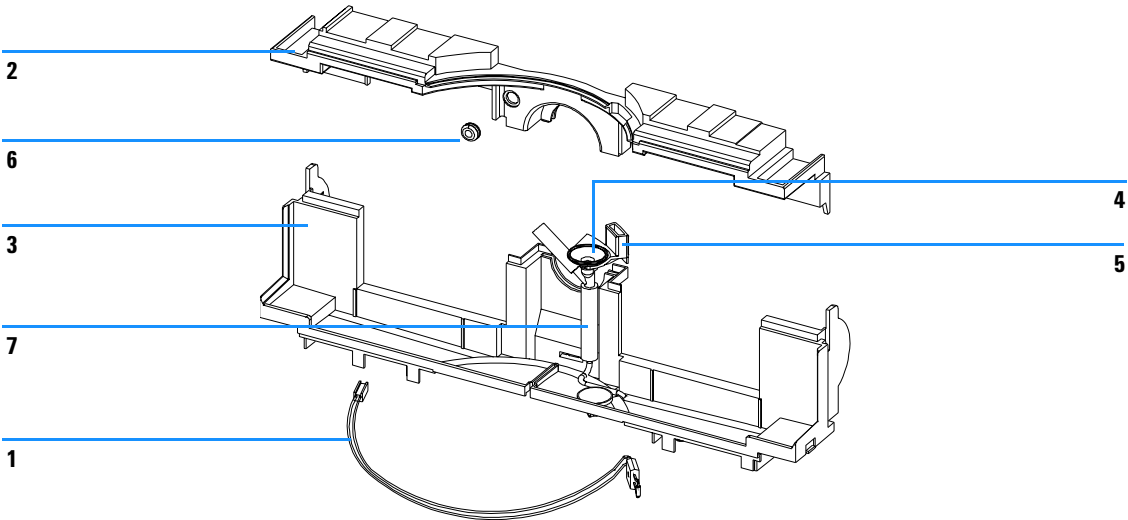
**Figure 24** Power and Status Light Pipes



# Leak Parts

**Table 12** Leak Parts

| Item | Description  | Part Number |
|------|--|-------------|
| 1    | Leak sensor  | 5061-3356   |
| 2, 3 | Leak Kit, includes leak top and leak base                            | G1316-68700 |
| 4    | Leak funnel  | 5041-8388   |
| 5    | Leak funnel holder   | G1316-42300 |
| 6    | O-ring for ambient temperature sensor                                | 0400-0002   |
| 7    | Waste assembly, includes complete Y-tubing assembly with leak funnel | G1316-60002 |
|      | Waste tubing 1200 mm long (part of accessory kit)                    | 0890-1711   |



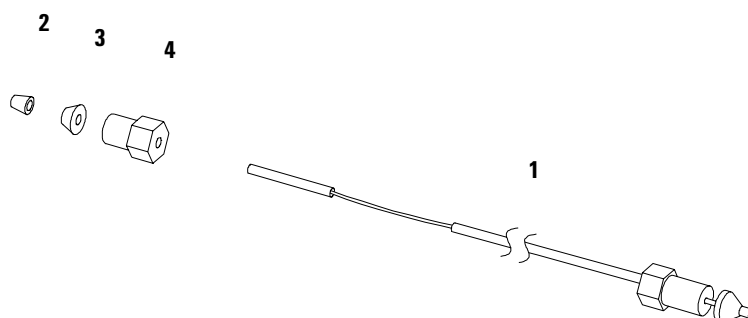
**Figure 25** Leak Parts

## Accessory Kit

This kit contains some accessories and tools needed for the installation and repair of the column compartment.

**Table 13** Accessory Kit Parts Listing

| Item | Description  | Part Number |
|------|--|-------------|
|      | Accessory kit  | G1316-68705 |
|      | Column identification tag (blank)<br>for re-ordering use (pack of 3)                             | 5062-8588   |
|      | ESD wrist strap  | 9300-1408   |
|      | Column clip, quantity=2, for re-order use (pack of 6)  | 5063-6526   |
| 1    | Capillary column-heat exchanger 90 mm lg, 0.17 i.d.<br>(not assembled) contains items 2, 3 and 4 | G1316-87300 |
| 2    | Ferrule front SST, quantity=2  | 0100-0043   |
| 3    | Ferrule back SST, quantity=2   | 0100-0044   |
| 4    | Fitting SST, quantity=2  | 79814-22406 |



**Figure 26** Capillary (Column-Heat Exchanger) Parts

## Cable Overview

**WARNING**

Never use cables other than the ones supplied by Agilent Technologies to ensure proper functionality and compliance with safety or EMC regulations.

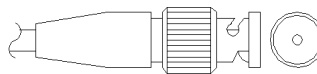
**Table 14** Cable Overview

| Type                 | Description   | Part Number |
|----------------------|---|-------------|
| <b>Analog cables</b> | 3390/2/3 integrators  | 01040-60101 |
|                      | 3394/6 integrators  | 35900-60750 |
|                      | Agilent 35900A A/D converter                                    | 35900-60750 |
|                      | General purpose (spade lugs)                                    | 01046-60105 |
|                      | 3390/2/3 integrators  | 01040-60101 |
| <b>Remote cables</b> | 3390 integrator   | 01046-60203 |
|                      | 3392/3 integrators  | 01046-60206 |
|                      | 3394 integrator   | 01046-60210 |
|                      | 3396A (Series I) integrator                                     | 03394-60600 |
|                      | 3396 Series II / 3395A integrator, see <a href="#">page 120</a> |             |
|                      | 3396 Series III / 395B integrator                               | 03396-61010 |
|                      | Agilent 1100 / HP 1050 modules / HP 1046A FLD                   | 5061-3378   |
|                      | HP 1046A FLD  | 5061-3378   |
|                      | Agilent 35900A A/D converter                                    | 5061-3378   |
|                      | HP 1040 diode array detector                                    | 01046-60202 |
|                      | HP 1090 liquid chromatographs                                   | 01046-60202 |
|                      | Signal distribution module                                      | 01046-60202 |
| <b>BCD cables</b>    | 3392/3 integrators  | 18594-60510 |

**Table 14** Cable Overview, continued

| <b>Type</b>              | <b>Description</b>  | <b>Part Number</b> |
|--------------------------|---|--------------------|
|                          | 3396 integrator   | 03396-60560        |
|                          | General purpose (spade lugs)  | 18594-60520        |
| <b>Auxiliary</b>         | Agilent 1100 Series vacuum degasser   | G1322-61600        |
| <b>CAN cables</b>        | Agilent 1100 module to module, 0.5 m  | 5181-1516          |
|                          | Agilent 1100 module to module, 1 m  | 5181-1519          |
|                          | Agilent 1100 module to control module   | G1323-81600        |
| <b>External contacts</b> | Agilent 1100 Series interface board to general purpose  | G1103-61611        |
| <b>GPIB cable</b>        | Agilent 1100 module to Agilent ChemStation, 1 m   | 10833A             |
|                          | Agilent 1100 module to Agilent ChemStation, 2 m   | 10833B             |
| <b>RS-232 cable</b>      | Agilent 1100 module to a computer<br>This kit contains a 9-pin female to 9-pin female null modem (printer) cable and one adapter. | 34398A             |
| <b>LAN cable</b>         | Twisted pair cross over LAN cable, 10 feet long<br>(for point to point connection)  | 5183-4649          |
|                          | Category 5 UTP cable, 8 m long<br>(for hub connections)   | G1530-61480        |

## Analog Cables



One end of these cables provides a BNC connector to be connected to Agilent 1100 Series modules. The other end depends on the instrument to which connection is being made.

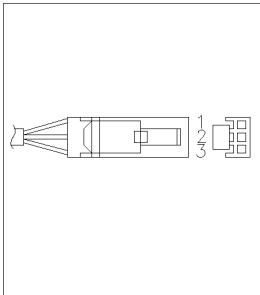
### Agilent 1100 to 3390/2/3 Integrators

Table 15

| Connector<br>01040-60101 | Pin<br>3390/2/3 | Pin<br>Agilent 1100 | Signal Name        |
|--------------------------|-----------------|---------------------|--------------------|
|                          | 1               | Shield              | Ground             |
|                          | 2               |                     | Not connected      |
|                          | 3               | Center              | Signal +           |
|                          | 4               |                     | Connected to pin 6 |
|                          | 5               | Shield              | Analog -           |
|                          | 6               |                     | Connected to pin 4 |
|                          | 7               |                     | Key                |
|                          | 8               |                     | Not connected      |

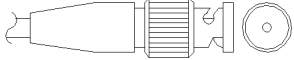
**Agilent 1100 to 3394/6 Integrators**

**Table 16**

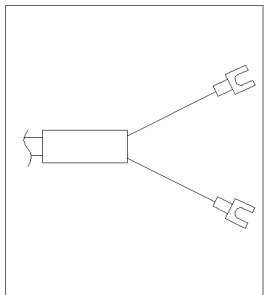
| <b>Connector<br/>35900-60750</b>  | <b>Pin<br/>3394/6</b> | <b>Pin<br/>Agilent 1100</b> | <b>Signal Name</b> |
|---|-----------------------|-----------------------------|--------------------|
|  | 1                     |                             | Not connected      |
|   | 2                     | Shield                      | Analog -           |
|   | 3                     | Center                      | Analog +           |
|   |                       |                             |                    |

**Agilent 1100 to BNC Connector**

**Table 17**

| <b>Connector<br/>8120-1840</b>  | <b>Pin<br/>BNC</b> | <b>Pin<br/>Agilent 1100</b> | <b>Signal Name</b> |
|---|--------------------|-----------------------------|--------------------|
|  | Shield             | Shield                      | Analog -           |
|   | Center             | Center                      | Analog +           |
|   |                    |                             |                    |
|   |                    |                             |                    |

**Agilent 1100 to General Purpose**

| Connector<br>01046-60105  | Pin<br>3394/6 | Pin<br>Agilent 1100 | Signal Name   |
|---|---------------|---------------------|---------------|
|  | 1             |                     | Not connected |
|   | 2             | Black               | Analog -      |
|   | 3             | Red                 | Analog +      |
|   |               |                     |               |
|   |               |                     |               |
|   |               |                     |               |
|   |               |                     |               |

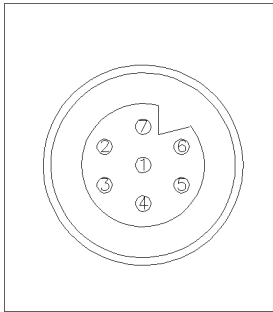
## Remote Cables



One end of these cables provides a Agilent Technologies APG (Analytical Products Group) remote connector to be connected to Agilent 1100 Series modules. The other end depends on the instrument to be connected to.

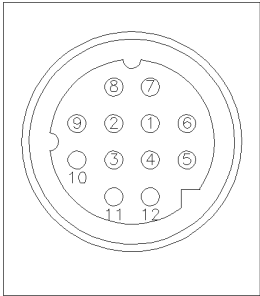
### Agilent 1100 to 3390 Integrators

Table 18

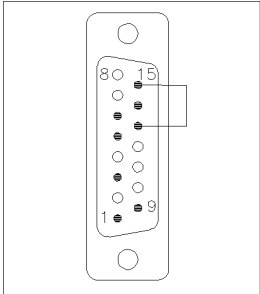
| Connector<br>01046-60203   | Pin<br>3390 | Pin<br>Agilent 1100 | Signal Name    | Active<br>(TTL) |
|--|-------------|---------------------|----------------|-----------------|
|  | 2           | 1 - White           | Digital ground |                 |
|  | NC          | 2 - Brown           | Prepare run    | Low             |
|  | 7           | 3 - Gray            | Start          | Low             |
|  | NC          | 4 - Blue            | Shut down      | Low             |
|  | NC          | 5 - Pink            | Not connected  |                 |
|  | NC          | 6 - Yellow          | Power on       | High            |
|  | NC          | 7 - Red             | Ready          | High            |
|  | NC          | 8 - Green           | Stop           | Low             |
|  | NC          | 9 - Black           | Start request  | Low             |



**Agilent 1100 to 3392/3 Integrators**
**Table 19**

| Connector<br>01046-60206   | Pin<br>3392/3 | Pin<br>Agilent 1100 | Signal Name    | Active<br>(TTL) |
|--|---------------|---------------------|----------------|-----------------|
|  <p>4 - Key</p> | 3             | 1 - White           | Digital ground |                 |
|  | NC            | 2 - Brown           | Prepare run    | Low             |
|  | 11            | 3 - Gray            | Start          | Low             |
|  | NC            | 4 - Blue            | Shut down      | Low             |
|  | NC            | 5 - Pink            | Not connected  |                 |
|  | NC            | 6 - Yellow          | Power on       | High            |
|  | 9             | 7 - Red             | Ready          | High            |
|  | 1             | 8 - Green           | Stop           | Low             |
|  | NC            | 9 - Black           | Start request  | Low             |

**Agilent 1100 to 3394 Integrators**
**Table 20**

| Connector<br>01046-60210  | Pin<br>3394 | Pin<br>Agilent 1100 | Signal Name    | Active<br>(TTL) |
|---|-------------|---------------------|----------------|-----------------|
|  <p>14 - Key</p> | 9           | 1 - White           | Digital ground |                 |
|   | NC          | 2 - Brown           | Prepare run    | Low             |
|   | 3           | 3 - Gray            | Start          | Low             |
|   | NC          | 4 - Blue            | Shut down      | Low             |
|   | NC          | 5 - Pink            | Not connected  |                 |
|   | NC          | 6 - Yellow          | Power on       | High            |
|   | 5,14        | 7 - Red             | Ready          | High            |
|   | 6           | 8 - Green           | Stop           | Low             |
|   | 1           | 9 - Black           | Start request  | Low             |

## 5 Identifying Parts and Materials

**Table 20**

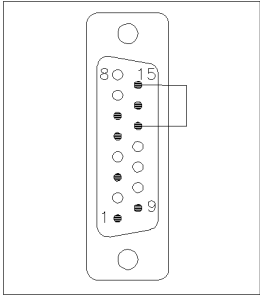
| Connector<br>01046-60210 | Pin<br>3394 | Pin<br>Agilent 1100 | Signal Name   | Active<br>(TTL) |
|--------------------------|-------------|---------------------|---------------|-----------------|
|                          | 13, 15      |                     | Not connected |                 |

### NOTE

START and STOP are connected via diodes to pin 3 of the 3394 connector.

### Agilent 1100 to 3396A Integrators

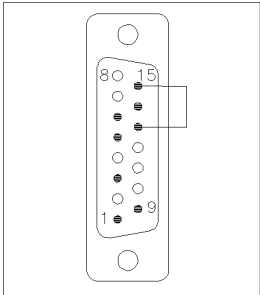
**Table 21**

| Connector<br>03394-60600   | Pin<br>3394 | Pin<br>Agilent 1100 | Signal Name    | Active<br>(TTL) |
|--|-------------|---------------------|----------------|-----------------|
|  | 9           | 1 - White           | Digital ground |                 |
|  | NC          | 2 - Brown           | Prepare run    | Low             |
|  | 3           | 3 - Gray            | Start          | Low             |
|  | NC          | 4 - Blue            | Shut down      | Low             |
|  | NC          | 5 - Pink            | Not connected  |                 |
|  | NC          | 6 - Yellow          | Power on       | High            |
|  | 5,14        | 7 - Red             | Ready          | High            |
|  | 1           | 8 - Green           | Stop           | Low             |
|  | NC          | 9 - Black           | Start request  | Low             |
|  | 13, 15      |                     | Not connected  |                 |

### Agilent 1100 to 3396 Series II / 3395A Integrators

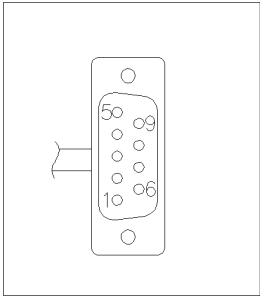
Use the cable 03394-60600 and cut pin #5 on the integrator side. Otherwise the integrator prints START; not ready.

**Agilent 1100 to 3396 Series III / 3395B Integrators**
**Table 22**

| Connector<br>03396-61010  | Pin<br>33XX | Pin<br>Agilent 1100 | Signal Name    | Active<br>(TTL) |
|---|-------------|---------------------|----------------|-----------------|
|  | 9           | 1 - White           | Digital ground |                 |
|   | NC          | 2 - Brown           | Prepare run    | Low             |
|   | 3           | 3 - Gray            | Start          | Low             |
|   | NC          | 4 - Blue            | Shut down      | Low             |
|   | NC          | 5 - Pink            | Not connected  |                 |
|   | NC          | 6 - Yellow          | Power on       | High            |
|   | 14          | 7 - Red             | Ready          | High            |
|   | 4           | 8 - Green           | Stop           | Low             |
|   | NC          | 9 - Black           | Start request  | Low             |
|   | 13, 15      |                     | Not connected  |                 |

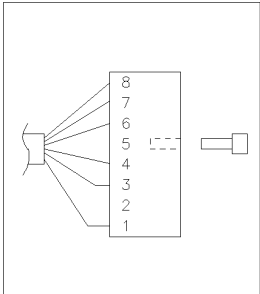
**Agilent 1100 to HP 1050, HP 1046A or Agilent 35900 A/D Converters**

**Table 23**

| Connector<br>5061-3378  | Pin<br>HP 1050 / ... | Pin<br>Agilent 1100 | Signal Name    | Active<br>(TTL) |
|---|----------------------|---------------------|----------------|-----------------|
|  | 1 - White            | 1 - White           | Digital ground |                 |
|   | 2 - Brown            | 2 - Brown           | Prepare run    | Low             |
|   | 3 - Gray             | 3 - Gray            | Start          | Low             |
|   | 4 - Blue             | 4 - Blue            | Shut down      | Low             |
|   | 5 - Pink             | 5 - Pink            | Not connected  |                 |
|   | 6 - Yellow           | 6 - Yellow          | Power on       | High            |
|   | 7 - Red              | 7 - Red             | Ready          | High            |
|   | 8 - Green            | 8 - Green           | Stop           | Low             |
|   | 9 - Black            | 9 - Black           | Start request  | Low             |

**Agilent 1100 to HP 1090 LC, HP 1040 DAD or Signal Distribution Module**

**Table 24**

| Connector<br>01046-60202   | Pin<br>HP 1090 | Pin<br>Agilent 1100 | Signal Name    | Active<br>(TTL) |
|--|----------------|---------------------|----------------|-----------------|
|  <p>5 - Key</p> | 1              | 1 - White           | Digital ground |                 |
|  | NC             | 2 - Brown           | Prepare run    | Low             |
|  | 4              | 3 - Gray            | Start          | Low             |
|  | 7              | 4 - Blue            | Shut down      | Low             |
|  | 8              | 5 - Pink            | Not connected  |                 |
|  | NC             | 6 - Yellow          | Power on       | High            |
|  | 3              | 7 - Red             | Ready          | High            |
|  | 6              | 8 - Green           | Stop           | Low             |
|  | NC             | 9 - Black           | Start request  | Low             |

**Agilent 1100 to General Purpose**

**Table 25**

| Connector<br>01046-60201 | Pin<br>Universal | Pin<br>Agilent 1100 | Signal Name    | Active<br>(TTL) |
|--------------------------|------------------|---------------------|----------------|-----------------|
|                          |                  | 1 - White           | Digital ground |                 |
|                          |                  | 2 - Brown           | Prepare run    | Low             |
|                          |                  | 3 - Gray            | Start          | Low             |
|                          |                  | 4 - Blue            | Shut down      | Low             |
|                          |                  | 5 - Pink            | Not connected  |                 |
|                          |                  | 6 - Yellow          | Power on       | High            |
|                          |                  | 7 - Red             | Ready          | High            |
|                          |                  | 8 - Green           | Stop           | Low             |
|                          |                  | 9 - Black           | Start request  | Low             |

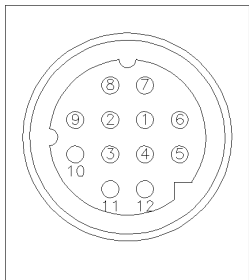
## BCD Cables



One end of these cables provides a 15-pin BCD connector to be connected to the Agilent 1100 Series modules. The other end depends on the instrument to be connected to.

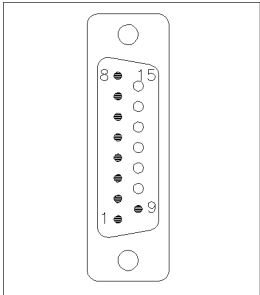
### Agilent 1100 to 3392/3 Integrators

Table 26

| Connector<br>18584-60510   | Pin<br>3392/3 | Pin<br>Agilent 1100 | Signal Name    | BCD Digit |
|--|---------------|---------------------|----------------|-----------|
|  <p>6 - Key</p> | 10            | 1                   | BCD 5          | 20        |
|  | 11            | 2                   | BCD 7          | 80        |
|  | 3             | 3                   | BCD 6          | 40        |
|  | 9             | 4                   | BCD 4          | 10        |
|  | 7             | 5                   | BCD 0          | 1         |
|  | 5             | 6                   | BCD 3          | 8         |
|  | 12            | 7                   | BCD 2          | 4         |
|  | 4             | 8                   | BCD 1          | 2         |
|  | 1             | 9                   | Digital ground |           |
|  | 2             | 15                  | + 5 V          | Low       |

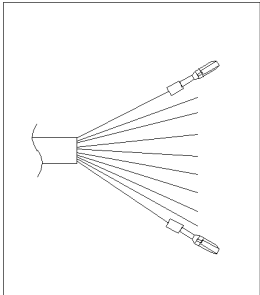
**Agilent 1100 to 3396 Integrators**

**Table 27**

| Connector<br>03396-60560  | Pin<br>3392/3 | Pin<br>Agilent 1100 | Signal Name    | BCD Digit |
|---|---------------|---------------------|----------------|-----------|
|  | 1             | 1                   | BCD 5          | 20        |
|   | 2             | 2                   | BCD 7          | 80        |
|   | 3             | 3                   | BCD 6          | 40        |
|   | 4             | 4                   | BCD 4          | 10        |
|   | 5             | 5                   | BCD 0          | 1         |
|   | 6             | 6                   | BCD 3          | 8         |
|   | 7             | 7                   | BCD 2          | 4         |
|   | 8             | 8                   | BCD 1          | 2         |
|   | 9             | 9                   | Digital ground |           |
|   | NC            | 15                  | + 5 V          | Low       |

**Agilent 1100 to General Purpose**

**Table 28**

| Connector<br>18594-60520  | Wire Color | Pin<br>Agilent 1100 | Signal Name    | BCD Digit |
|---|------------|---------------------|----------------|-----------|
|  | Green      | 1                   | BCD 5          | 20        |
|   | Violet     | 2                   | BCD 7          | 80        |
|   | Blue       | 3                   | BCD 6          | 40        |
|   | Yellow     | 4                   | BCD 4          | 10        |
|   | Black      | 5                   | BCD 0          | 1         |
|   | Orange     | 6                   | BCD 3          | 8         |
|   | Red        | 7                   | BCD 2          | 4         |
|   | Brown      | 8                   | BCD 1          | 2         |
|   | Gray       | 9                   | Digital ground |           |
|   | White      | 15                  | +5 Vt          | Low       |



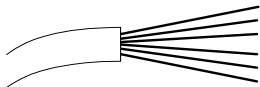
## Auxiliary Cable



One end of this cable provides a modular plug to be connected to the Agilent 1100 Series vacuum degasser. The other end is for general purpose.

### Agilent 1100 Series Degasser to general purposes

Table 29

| Connector<br>G1322-61600  | Color  | Pin<br>Agilent 1100 | Signal Name     |
|---|--------|---------------------|-----------------|
|  | White  | 1                   | Ground          |
|   | Brown  | 2                   | Pressure signal |
|   | Green  | 3                   |                 |
|   | Yellow | 4                   |                 |
|   | Grey   | 5                   | DC + 5 V IN     |
|   | Pink   | 6                   | Vent            |

## CAN Cable

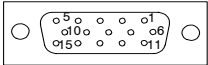


Both ends of this cable provide a modular plug to be connected to Agilent 1100 Series module's CAN-bus connectors.

**Table 30**

|                                       |             |
|---------------------------------------|-------------|
| Agilent 1100 module to module, 0.5 m  | 5181-1516   |
| Agilent 1100 module to module, 1 m    | 5181-1519   |
| Agilent 1100 module to control module | G1323-81600 |

**External Contact Cable**

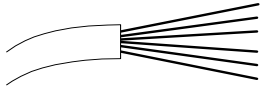


One end of this cable provides a 15-pin plug to be connected to Agilent 1100 Series module’s interface board. The other end is for general purpose.

**Agilent 1100 Series Interface Board to general purposes**

**Table 31**

| Connector<br>G1103-61611 | Color        | Pin<br>Agilent 1100 | Signal Name   |
|--------------------------|--------------|---------------------|---------------|
|                          | White        | 1                   | EXT 1         |
|                          | Brown        | 2                   | EXT 1         |
|                          | Green        | 3                   | EXT 2         |
|                          | Yellow       | 4                   | EXT 2         |
|                          | Grey         | 5                   | EXT 3         |
|                          | Pink         | 6                   | EXT 3         |
|                          | Blue         | 7                   | EXT 4         |
|                          | Red          | 8                   | EXT 4         |
|                          | Black        | 9                   | Not connected |
|                          | Violet       | 10                  | Not connected |
|                          | Grey/pink    | 11                  | Not connected |
|                          | Red/blue     | 12                  | Not connected |
|                          | White/green  | 13                  | Not connected |
|                          | Brown/green  | 14                  | Not connected |
|                          | White/yellow | 15                  | Not connected |

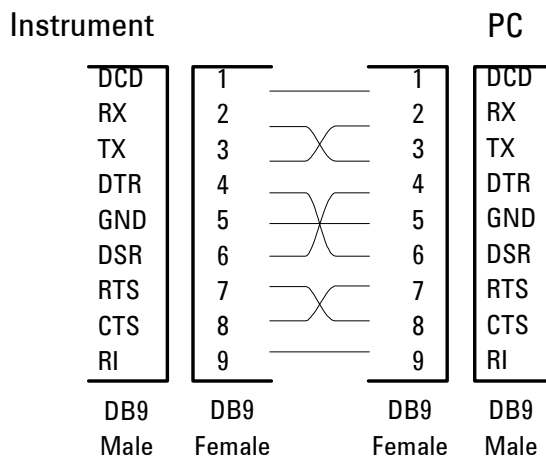


## RS-232C Cable Kit

This kit contains a 9-pin female to 9-pin female null modem (printer) cable and one adapter. Use the cable and adapter to connect Agilent Technologies instruments with 9-pin male RS-232C connectors to most PCs or printers.

### Agilent 1100 module to PC

#### RS-232C Cable Kit 34398A



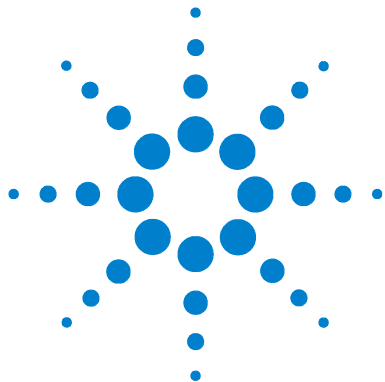
## LAN Cables

### Recommended Cables

For point to point connection (not using a network hub) use a twisted pair cross over LAN cable (P/N 5183-4649, 10 feet long).

For standard network connections using a hub use category 5 UTP cables, (P/N G1530-61480, 8 m long).

## **5 Identifying Parts and Materials**



## 6 Introduction to the Column Compartment

|  |     |
|--|-----|
| Introduction to the Column Compartment | 134 |
| System Overview                        | 135 |
| Column-Identification System           | 137 |
| Column Switching Valve (Optional)      | 140 |
| Electrical Connections                 | 142 |
| Instrument Layout                      | 144 |
| The Electronics                        | 145 |
| Column Compartment Main Board (CCM)    | 146 |
| Firmware Description                   | 151 |
| Agilent 1100 Series Interfaces         | 153 |
| Setting the 8-bit Configuration Switch | 157 |
| The Main Power Supply Assembly         | 162 |



## Introduction to the Column Compartment

The Agilent 1100 Series thermostatted column compartment is a stackable temperature-controlled column compartment for LC. It is available as standalone module or as a component of a Agilent 1100 Series system. It is used for heating and cooling to meet extreme requirements of retention time reproducibility.

The main features of this column compartment are:

- Peltier heating and cooling from 10 degrees below ambient up to 80 °C with high heating and cooling speeds for maximum application flexibility and stability,
- holds up to three 30-cm columns and optimized design gives minimum dead volumes and maximum efficiency,
- two independently programmable heat exchangers contribute volumes of only 3 and 6 µl,
- electronic column-identification module as standard for GLP documentation of column type, and major column parameters,
- optional high-quality Rheodyne® column switching valve with ceramic stator-face assemblies for prolonged lifetime.

For specifications, "[Performance Specifications](#)" on page 186.



## System Overview

### The Concept of Heating and Cooling

The design of this thermostatted column compartment uses column heating and cooling devices with Peltier elements. The solvent entering the column compartment is heated up or cooled down to a settable temperature with two low-volume heat exchangers (3  $\mu\text{l}$  on left side, 6  $\mu\text{l}$  on right side), made of a short piece of capillary 0.17 mm i.d. leading through a heat exchanger. The heat exchanger is designed such that it can function simultaneously as an air heater. The surface of the heat exchanger is shaped such that the area around the column is kept on similar temperature level as the liquid running through the column. This is done by thermal convection and radiation between the heat exchanger fins. With this design it is ensured that the column and the solvent flowing through it, are almost at the same temperature.

Actual temperature control is accomplished at the heat exchanger. The solvent cools down or heats up on its transfer from the heating block to the column inlet. This depends on several factors: flow rate, setpoint temperature, ambient temperature and column dimensions.

For example, temperature setpoint is 40 °C. The heat-exchanger temperature is controlled at 40.8 °C and at the column entry there could be 39.8 °C.

The actual temperature displayed on the user interface is always the derived temperature taken at the heat exchanger, corrected by the offset explained above.

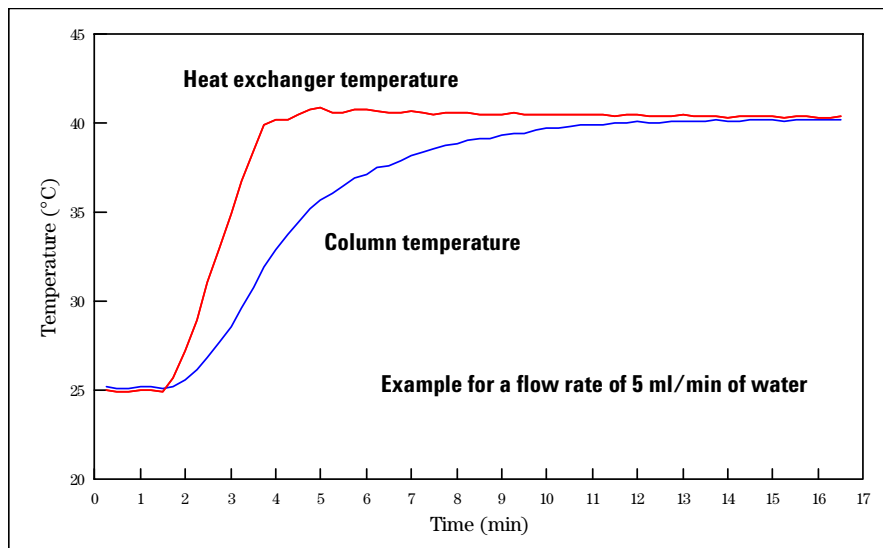
#### NOTE

Default mode: heater actual, column  $\pm$  offset  
Corrected mode: heater  $\pm$  offset, column actual

---

Any type of heated column compartment brings one important consequence for column temperature equilibration. Before an equilibrium is reached the whole mass of column, column packing and solvent volume inside the column has to be brought to the selected temperature. This depends on several factors: flow rate, setpoint temperature, ambient temperature and column dimensions. The higher the flow rate, the faster the column equilibrates (due to thermostatted mobile phase).

Figure 27 shows a setpoint temperature of 40 °C. Some time after entering the setpoint the heat exchanger has reached its temperature and the control activity starts. The TEMPERATURE NOT READY signal will be cancelled 20 seconds after the sensed temperature was within a range of  $\pm 0.5$  °C of the setpoint (other values are settable from the user interface). However this does not mean that the column is at the correct temperature. The equilibration of the column can take longer. Stability of the high pressure readings is a good indication for equilibrium.

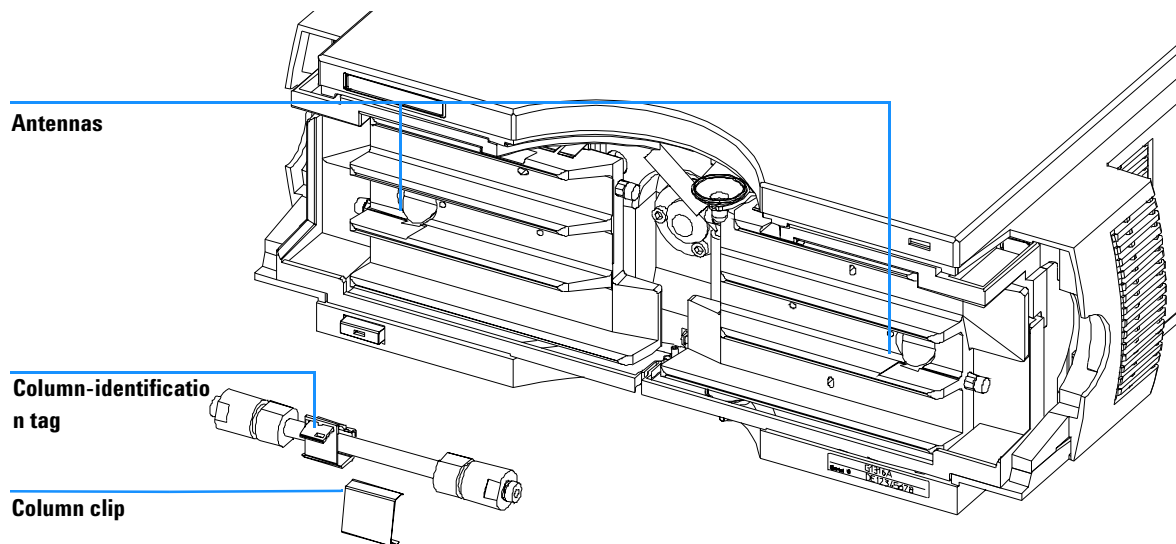


**Figure 27** Equilibration of Heat Exchanger and Column Temperature

The temperature calibration and verification is described in "[Temperature Calibration Procedure](#)" on page 46.

## Column-Identification System

The Agilent 1100 Series thermostatted column compartment is equipped with a column-identification system. This allows to write and to read column-specific information to and from the column-identification tag.



**Figure 28** Column-Identification System

Table 32 shows the information that can be stored:

**Table 32** Column-Identification Module Information

| Item             | Example      | Comment               |
|------------------|--------------|-----------------------|
| Product number   | 799160D-552  |                       |
| Serial number    | 950522       | Date of manufacturing |
| Batch number     | 1675         |                       |
| Geometry [mm]    | 100 × 2.1    |                       |
| Stationary phase | ODS Hypersil |                       |

**Table 32** Column-Identification Module Information, continued

| Item                                 | Example | Comment         |
|--------------------------------------|---------|-----------------|
| Particle size                        | 10 µm   |                 |
| Number of injections                 | 1267    | See Note below. |
| Maximum pressure allowed [bar]       | 400     |                 |
| Maximum temperature recommended [°C] | 70      |                 |
| Maximum pH recommended               | 12      |                 |
| Column void volume [ml]              |         |                 |

The number of injections will be updated each run to create a column lifecycle (history). The user interface allows to edit all information.

**NOTE**

If a column switching valve (see [page 140](#)) is installed in the module, the update of the number of injections depends on the position of the column switching valve. For example, if the left column is selected, the right column is not updated, and vice versa.

If no column switching valve is installed both sides are updated at the same time.

**Column-Identification Tag**

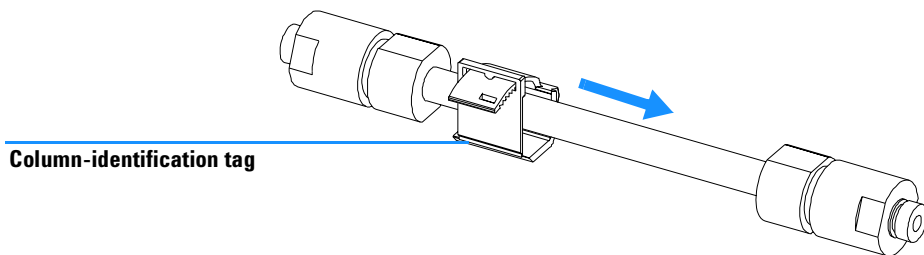
When correctly placed on the heat exchanger, the distance between tag and antenna is 1–2 mm. This is the optimum distance for proper function. The identification tag can be easily removed from the column.

**NOTE**

For small diameter columns, a cable tie wrap should be used, to fix the column-identification tag at the column (in case you modify your own column). Assure that the tie wrap is not blocking the front cover.

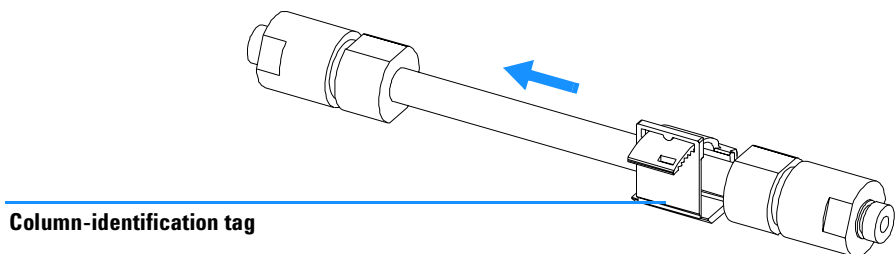
**NOTE**

There is a difference in attaching the identification tag to the column depending on which heat exchanger it will be located, see [Figure 29](#) and [Figure 30](#). The Agilent logo should be always at the front side.



Column-identification tag

**Figure 29** Column-Identification Tag for Left Heat Exchanger

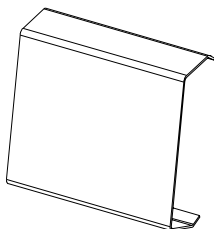


Column-identification tag

**Figure 30** Column-Identification Tag for Right Heat Exchanger

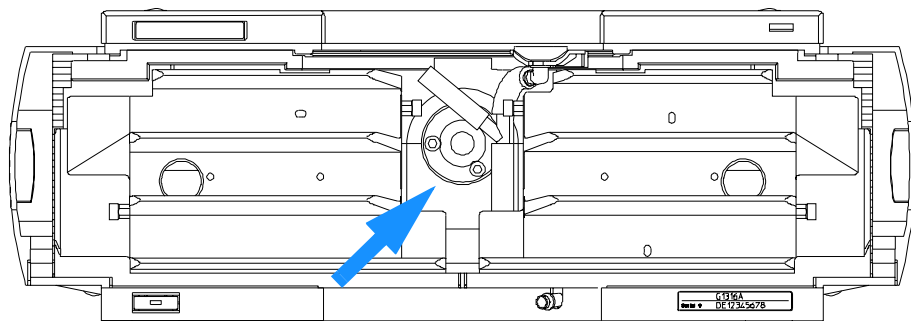
## Column Clip

For better positioning of the column on the heat exchanger a column clip is available (part of accessory kit, "[Accessory Kit](#)" on page 112).



**Figure 31** Column Clip

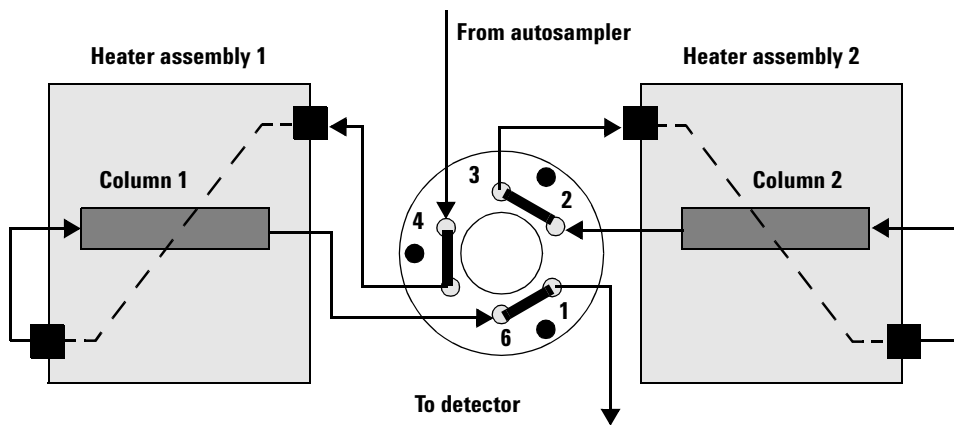
## Column Switching Valve (Optional)



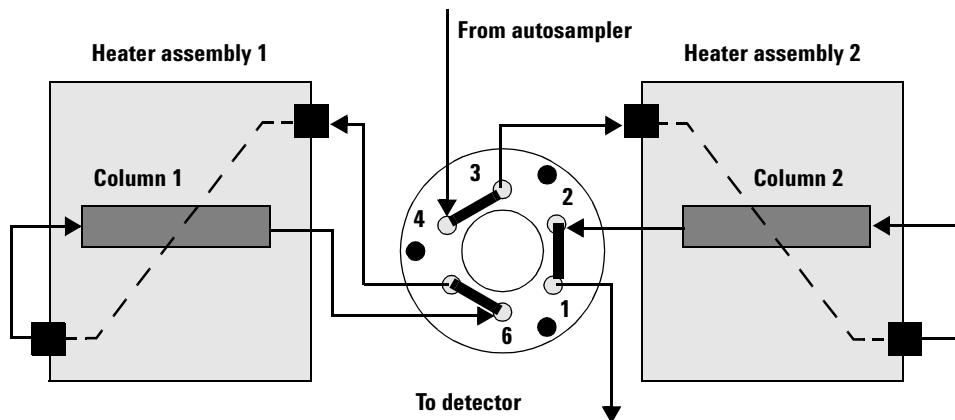
**Figure 32** Location of Column Switching Valve

### Two Column Selection

The valve can select either column 1 or column 2. The offline column is sealed by connecting head to rail. Switching should be done when the flow is off and the pressure is zero.



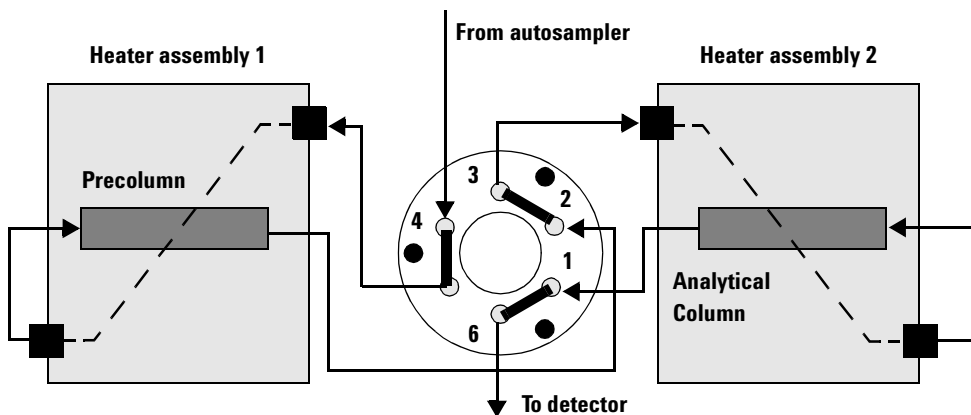
**Figure 33** Column 1 Active



**Figure 34** Column 2 Active

### Precolumn Back-flushing

The sample is injected into series-connected precolumn and analytical column. After the valve has switched, the analytical column flow continues in normal direction. Only the precolumn is back-flushed, eluting highly retained peaks directly to the detector.



**Figure 35** Precolumn Back-flushing

## Electrical Connections

- The GPIB connector is used to connect the column compartment with a computer. The address and control switch module next to the GPIB connector determines the GPIB address of your column compartment. The switches are preset to a default address (see Table 34 on page 154 or see Table 38 on page 158) and is recognized once after power is switched on.
- The CAN bus is a serial bus with high-speed data transfer. The two connectors for the CAN bus are used for internal Agilent 1100 Series module data transfer and synchronization.
- The REMOTE connector may be used in combination with other analytical instruments from Agilent Technologies if you want to use features such as common shut down, prepare, and so on.
- With the appropriate software, the RS-232C connector may be used to control the module from a computer through a RS-232C connection. This connector is activated and can be configured with the configuration switch next to the GPIB connector (see "[Communication Settings for RS-232C Communication](#)" on page 158). See your software documentation for further information
- The power input socket accepts a line voltage of 100–120 or 220–240 volts AC  $\pm$  10 % with a line frequency of 50 or 60 Hz. Maximum power consumption is 320 VA. There is no voltage selector on your column compartment because the power supply has wide-ranging capability. There are no externally accessible fuses, because automatic electronic fuses are implemented in the power supply. The security lever at the power input socket prevents that the column compartment cover is taken off when line power is still connected.

### WARNING

**Never use cables other than the ones supplied by Agilent Technologies to ensure proper functionality and compliance with safety or EMC regulations.**

---



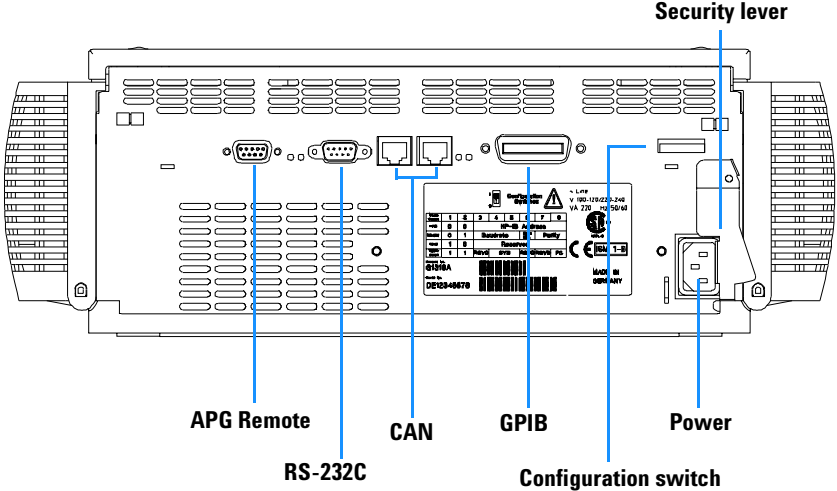


Figure 36 Electrical Connections

## Instrument Layout

The industrial design of the column compartment incorporates several innovative features. It uses Agilent's E-PAC for housing the electronics and mechanical assemblies. This concept is based upon the use of expanded polypropylene (EPP) layers of foam plastic spacers into which the mechanical and electronic boards components of the column compartment are placed. This is then housed in a metal inner cabinet which is then enclosed by a plastic external cabinet. The advantages of this packaging technology are:

- virtual elimination of fixing screws, bolts or ties, reducing the number of components and increasing the speed of assembly and disassembly,
- the plastic layers have air channels molded into them so that cooling air can be guided exactly to the required locations,
- the plastic layers help cushion the electronic and mechanical parts from physical shock, and
- the metal inner cabinet shields the internal electronics from electromagnetic interference and also helps to reduce or eliminate radio frequency emissions from the column compartment.

## The Electronics

The electronics are comprised of four main components:

- **column compartment main board** (CCM), see [page 146](#).
- **column identification board** (CID), see "[Column-Identification Module](#)" on page 147
- **power supply**, see [page 162](#).

# Column Compartment Main Board (CCM)

This board controls all information and activities of all assemblies within the column compartment. The operator enters parameters, changes modes and controls the column compartment through interfaces (CAN, GPIB, LAN or RS-232C), connected to the user-interfaces. [Figure 37](#) on page 149 and [Figure 38](#) on page 150 show block diagrams of this board.

### ASIC — Application Specific Integrated Circuit

The 304-pin application-specific integrated circuit (ASIC) provides interfacing to external devices through drivers, including GPIB, LAN, CAN, APG Remote. It is directly connected to the 4 control LEDs located near the connectors on this board and the 8-bit configuration switch which is used to configure the address for the GPIB communication, baud rate for RS-232C transfer, and so on. For switch settings, refer to "[Agilent 1100 Series Interfaces](#)" on page 153 and "[Setting the 8-bit Configuration Switch](#)" on page 157.

In addition the ASIC controls and drives module specific functions and reads static status signals. It controls the cooling fans via the PWM (pulse width modulation) drivers. Movement of the cooling fans is sensed by the microprocessor.

### Peltier Driver

There are two identical Peltier element drivers in the module. Their temperatures are controlled and measured on the hot and cold side of the Peltier elements by the micro-controller.

### Valve Driver

One valve driver is used for the operation of an optional Column Switching Valve.

### Electronic Fuses

The circuits that are connected to + 36 V are fused on the board electronically. This prevents the damage to components.

### Column-Identification Module

The column-identification module (CID) is seated on the CCM board (see ["Overview on Repair Procedures"](#) on page 55) and allows to write and read column specific information (type, maximum pressure, number of injections, and so on, see ["Column-Identification System"](#) on page 137) to/from the column storage device via antennas in the heater assemblies. The number of injections will be updated each run to create a column lifecycle (history). The user interface allows to edit all information.

### Diagnostic A/D Converter

The diagnostic A/D converter senses currents and voltages of the Peltier elements and converts the analog signals into digital values. When values are outside of the normal range, an appropriate error message is generated. It is also used for option identification.

### Leak Converter

This block consists of a PTC (resistor with positive temperature coefficient) for the leak identification and a NTC (resistor with negative temperature coefficient) for the ambient temperature measurement. This ensures that temperature changes are not identified as leak. A leak would cool down the PTC and its change in resistance results into a leak signal. The signals are converted by the A/D converter.

### Fan Drives

The variable revolution of the fans are controlled by the main processor depending on the internal heat distribution in the module. The fans provide a PWM signal which is proportional to the revolution. This fan status signal is used for diagnostics (defect recognition).

### On-board Battery

An on-board lithium battery buffers the electronic memories when the column compartment is turned off.

For safety information on lithium batteries see ["Lithium Batteries Information"](#) on page 193.

### **Interfaces**

For detailed information on interfaces see "[Agilent 1100 Series Interfaces](#)" on page 153.

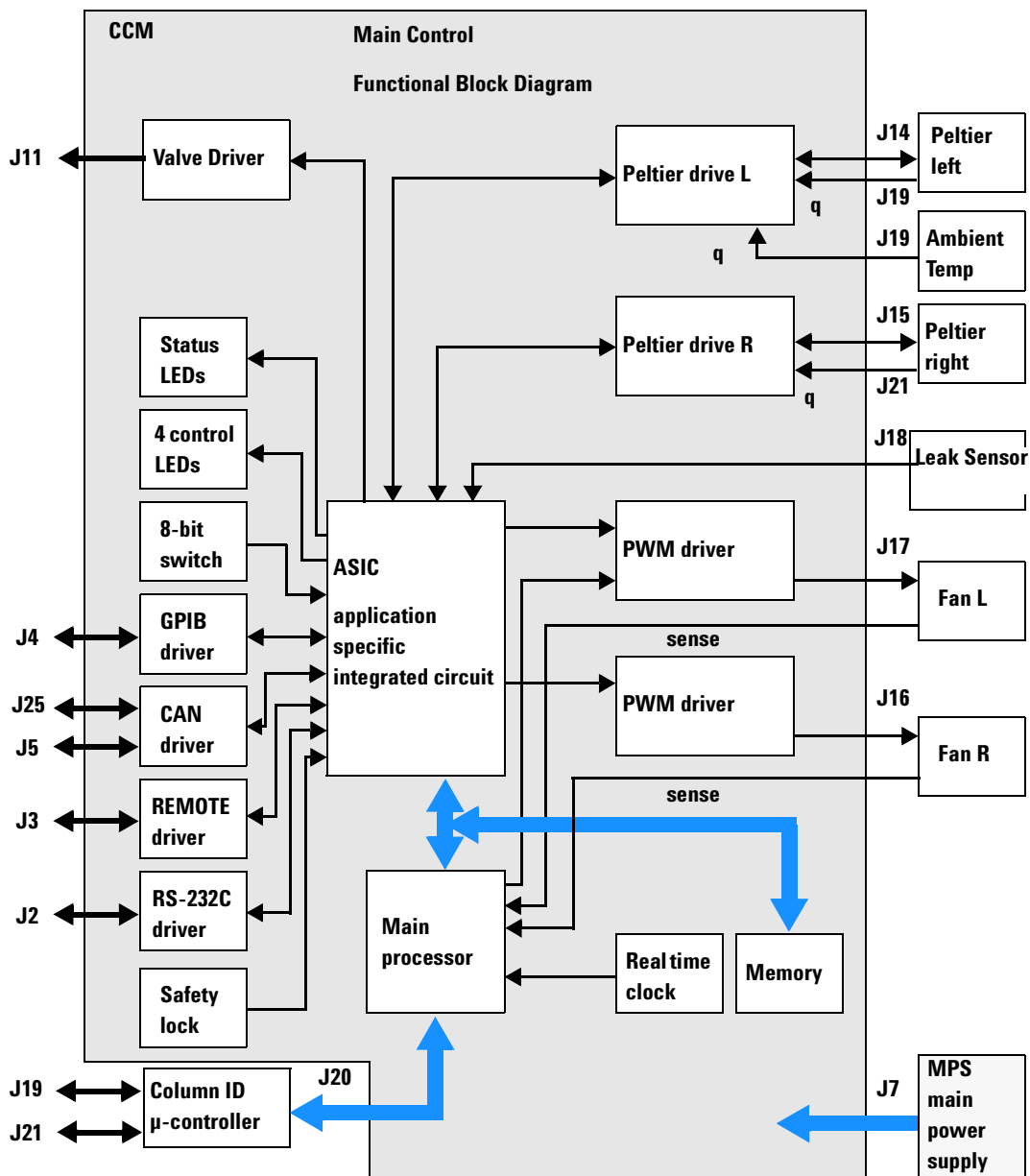


Figure 37 Block Diagram Column Compartment Main Controller Functionality

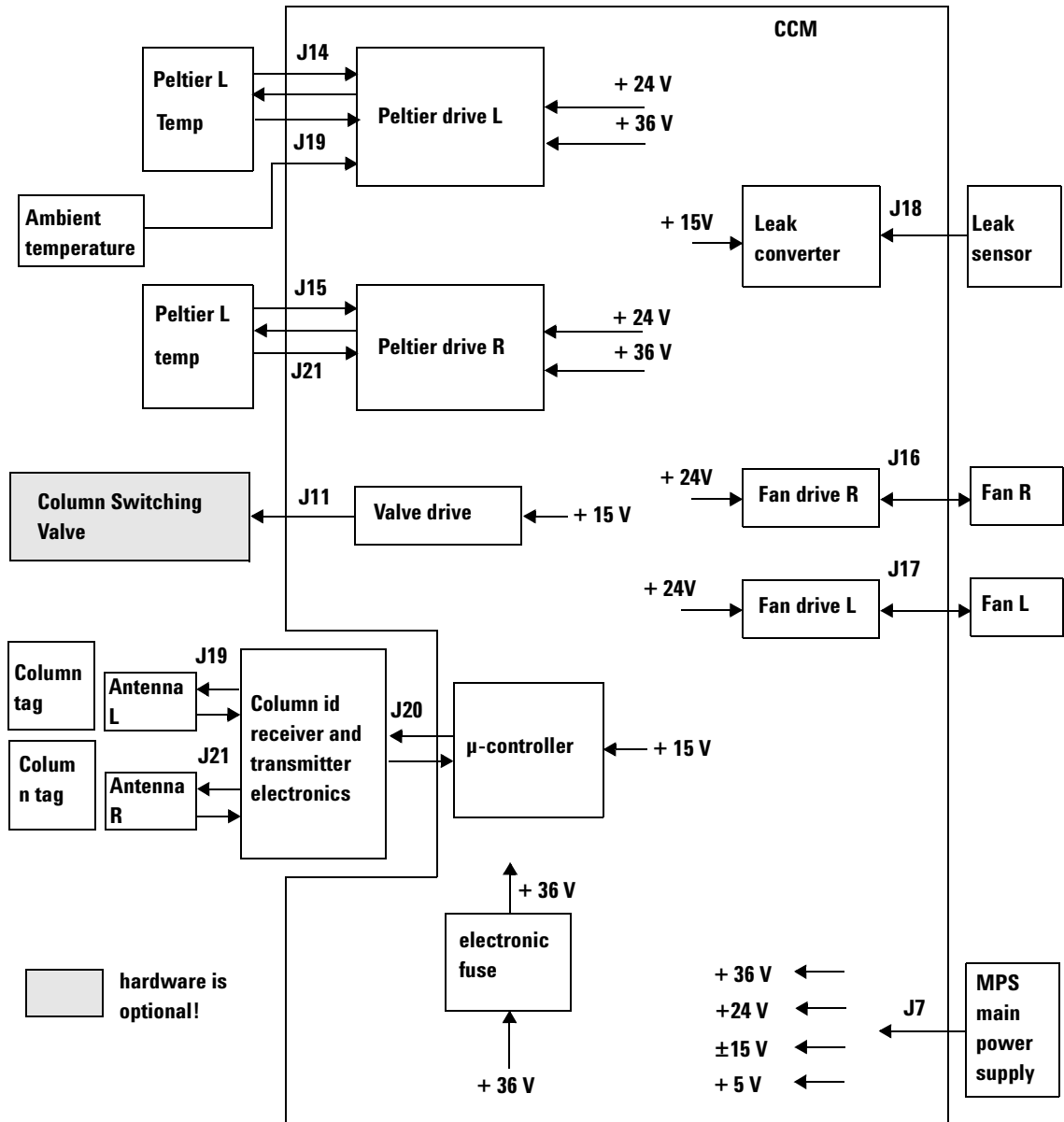


Figure 38 Interconnection Diagram Column Compartment Main Board



## Firmware Description

The firmware of the instrument consists of two independent sections:

- a non-instrument specific section, called 'resident system',
- an instrument specific section, called 'main system'.

### Resident System

This resident section of the firmware is identical for all Agilent 1100 series modules. Its properties are:

- the complete communication capabilities (GPIB, CAN, LAN and RS-232C),
- memory management,
- ability to update the firmware of the 'main system'.

### Main System

Its properties are:

- the complete communication capabilities (GPIB, CAN, LAN and RS-232C),
- memory management,
- ability to update the firmware of the 'resident system'.

In addition the main system comprises the instrument functions that are divided into common functions like

- run synchronization via APG remote
- error handling,
- diagnostic functions and so on,

or module specific functions like

- internal events such as heater control, column identification,
- and so on.

## Firmware Updates

Firmware updates can be done using your user interface:

- hand-held control module with files from a PC-card or
- Agilent ChemStation with files from floppy disk

## 6 Introduction to the Column Compartment

The file naming conventions are:

xxxx-vvv.DLB, where

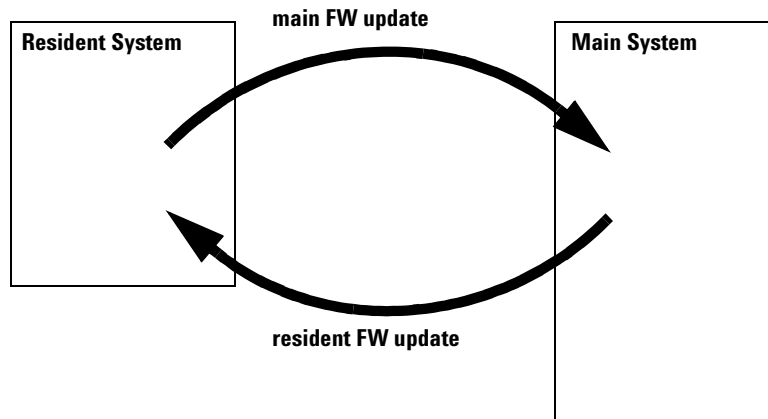
xxxx is the product number, e.g. 1316 for the G1316A TCC, and vvv is the revision number, for example 106 is revision 1.06

For instructions refer to your user interface.

### NOTE

Update of main system can be done in the resident system only.

Update of the resident system can be done in the main system only.



**Figure 39** Firmware Update Mechanism

## Agilent 1100 Series Interfaces

The Agilent 1100 Series modules provide the following interfaces:

**Table 33** Agilent 1100 Series Interfaces

| Interface Type  | Pumps | Autosampler | DA Detector<br>MW Detector<br>FL Detector | VW Detector<br>RI Detector | Thermostatted<br>Column<br>Compartment | Vacuum<br>Degasser |
|-----------------|-------|-------------|---|----------------------------|--|--------------------|
| CAN             | Yes   | Yes         | Yes                                       | Yes                        | Yes                                    | No                 |
| GPIB            | Yes   | Yes         | Yes                                       | Yes                        | Yes                                    | No                 |
| RS-232C         | Yes   | Yes         | Yes                                       | Yes                        | Yes                                    | No                 |
| Remote          | Yes   | Yes         | Yes                                       | Yes                        | Yes                                    | Yes                |
| Analog          | Yes   | No          | 2 ×                                       | 1 ×                        | No                                     | Yes*               |
| Interface board | Yes   | Yes         | Yes                                       | Yes                        | No                                     | No                 |

\* The vacuum degasser will have a special connector for specific use. For details see description of main board.

- CAN connectors as interface to other Agilent 1100 Series modules,
- GPIB connector as interface to the Agilent ChemStation,
- RS-232C as interface to a computer,
- REMOTE connector as interface to other Agilent products,
- analog output connector(s) for signal output, and
- interface slot for specific interfacing (external contacts, BCD, LAN and so on).

For identification and location of the connectors see Figure 5 on page 10.

### WARNING

**Never use cables other than the ones supplied by Agilent Technologies to ensure proper functionality and compliance with safety or EMC regulations, see "[Cable Overview](#)" on page 113.**

## GPIB Interface

The GPIB connector is used to connect the module with a computer. The address and control switches next to the GPIB connector determine the GPIB address of your module. The switches are preset to a default address and recognized by the operating software from Agilent Technologies.

**Table 34** Default Addresses

|                    |    |                       |    |
|--------------------|----|-----------------------|----|
| Autosampler        | 28 | Autosampler           | 28 |
| Pump               | 22 | RID                   | 29 |
| FLD                | 23 |                       |    |
| VWD                | 24 | Autosampler (HP 1050) | 11 |
| Agilent 8453A      | 25 | Pump (HP 1050)        | 12 |
| DAD/MWD            | 26 | VWD (HP 1050)         | 10 |
| Column Compartment | 27 | DAD (HP 1050)         | 17 |

## CAN Interface

The CAN is an intermodule communication interface. It is a 2 wire serial bus system supporting high speed data communication and real-time requirement.

## Remote Interface

The APG Remote connector may be used in combination with other analytical instruments from Agilent Technologies if you want to use features as common shut down, prepare, and so on.

Remote control allows easy connection between single instruments or systems to ensure coordinated analysis with simple coupling requirements.

The subminiature D connector is used. The module provides one remote connector which is inputs/outputs (wired-or technique).

To provide maximum safety within a distributed analysis system, one line is dedicated to SHUT DOWN the system's critical parts in case any module detects a serious problem. To detect whether all participating modules are switched on or properly powered, one line is defined to summarize the POWER ON state of all connected modules. Control of analysis is maintained

by signal readiness READY for next analysis, followed by START of run and optional STOP of run triggered on the respective lines. In addition PREPARE and START REQUEST may be issued. The signal level are defined as:

- standard TTL levels (0 V is logic true, + 5 V is false)
- fan-out is 10,
- input load is 2.2 kOhm against + 5 V, and
- output are open collector type, inputs/outputs (wired-or technique).

**Table 35** Remote Signal Distribution

| Pin | Signal        | Description  |
|-----|---------------|--|
| 1   | DGND          | Digital ground   |
| 2   | PREPARE       | (L) Request to prepare for analysis (for example, calibration, detector lamp on). Receiver is any module performing preanalysis activities.  |
| 3   | START         | (L) Request to start run / timetable. Receiver is any module performing run-time controlled activities.  |
| 4   | SHUT DOWN     | (L) System has serious problem (for example, leak: stops pump). Receiver is any module capable to reduce safety risk.  |
| 5   |               | Not used   |
| 6   | POWER ON      | (H) All modules connected to system are switched on. Receiver is any module relying on operation of others.  |
| 7   | READY         | (H) System is ready for next analysis. Receiver is any sequence controller.  |
| 8   | STOP          | (L) Request to reach system ready state as soon as possible (for example, stop run, abort or finish and stop injection). Receiver is any module performing run-time controlled activities. |
| 9   | START REQUEST | (L) Request to start injection cycle (for example, by start key on any module). Receiver is the autosampler.   |

## RS-232C

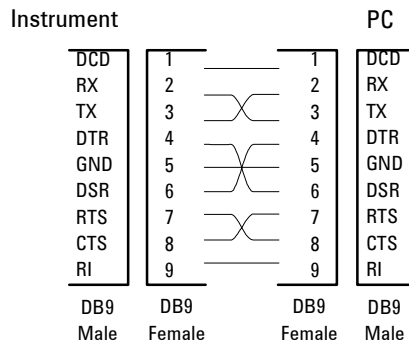
The RS-232C connector is used to control the column module from a computer through RS-232C connection, using the appropriate software. This connector can be configured with the configuration switch module next to the GPIB connector.

## 6 Introduction to the Column Compartment

The RS-232C is designed as DCE (data communication equipment) with a 9-pin male SUB-D type connector. The pins are defined as:

**Table 36** RS-232C Connection Table

| Pin | Direction | Function |
|-----|-----------|----------|
| 1   | In        | DCD      |
| 2   | In        | RxD      |
| 3   | Out       | TxD      |
| 4   | Out       | DTR      |
| 5   |           | Ground   |
| 6   | In        | DSR      |
| 7   | Out       | RTS      |
| 8   | In        | CTS      |
| 9   | In        | RI       |

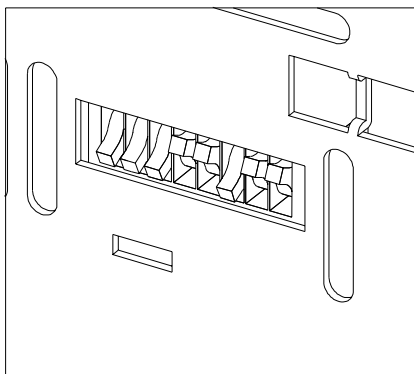


**Figure 40** RS-232 Cable

## Setting the 8-bit Configuration Switch

The 8-bit configuration switch is located next to the GPIB connector. Switch settings provide configuration parameters for GPIB address, serial communication protocol and instrument specific initialization procedures.

Factory setting is shown for column compartment



**Figure 41** 8-bit Configuration Switch

**Table 37** 8-bit Configuration Switch

| Mode Select | 1 | 2 | 3        | 4            | 5 | 6         | 7      | 8  |
|-------------|---|---|----------|--------------|---|-----------|--------|----|
| GPIB        | 0 | 0 |          | GPIB Address |   |           |        |    |
| RS-232C     | 0 | 1 | Baudrate |              |   | Data Bits | Parity |    |
| Reserved    | 1 | 0 | Reserved |              |   |           |        |    |
| TEST/BOOT   | 1 | 1 | RSVD     | SYS          |   | RSVD      | RSVD   | FC |

Switches 1 and 2 define which set of parameters (for example, for GPIB, RS-232C, and so on) will be changed. Once the change has been completed, the instrument must be powered up again in order to store the values in the non-volatile memory.

Here the parameters are kept, independently if you turn the column compartment off and on again. They will be kept until the same set of parameters is subsequently changed and power is reset. All other previously stored configuration settings are still being kept in non-volatile memory.

In this manner you can store more than one set of parameters, for example, for GPIB and RS-232C, using the same 8-bit configuration switch twice.

## GPIB Default Addresses

If you just want to change the GPIB address and need a detailed procedure, refer to the *Installing Your Agilent ChemStation System* handbook. Default GPIB address is set to the following addresses:

**Table 38** Default Addresses for Agilent 1100 Series Modules

| Module             | Address | Binary Address  |
|--------------------|---------|-----------------|
| Pump               | 22      | 0 0 0 1 0 1 1 0 |
| FLD                | 23      | 0 0 0 1 0 1 1 1 |
| VWD                | 24      | 0 0 0 1 1 0 0 0 |
| Agilent 8453A      | 25      | 0 0 0 1 1 1 0 1 |
| DAD/MWD            | 26      | 0 0 0 1 1 0 1 0 |
| Column compartment | 27      | 0 0 0 1 1 0 1 1 |
| Autosampler        | 28      | 0 0 0 1 1 1 0 0 |
| RID                | 29      | 0 0 0 1 1 1 0 1 |

where 0 means that the switch is down and 1 means that the switch is up.

## Communication Settings for RS-232C Communication

The communication protocol used in the column compartment supports only hardware handshake (CTS/RTR).

Switches 1 in down and 2 in up position define that the RS-232C parameters will be changed. Once the change has been completed, the column instrument must be powered up again in order to store the values in the non-volatile memory.



**Table 39** Communication Settings for RS-232C Communication

| Mode Select | 1 | 2 | 3        | 4 | 5 | 6         | 7      | 8 |
|-------------|---|---|----------|---|---|-----------|--------|---|
| RS-232C     | 0 | 1 | Baudrate |   |   | Data Bits | Parity |   |

Use the following tables for selecting the setting which you want to use for RS-232C communication. The number 0 means that the switch is down and 1 means that the switch is up.

**Table 40** Baudrate Settings

| Switches |   |   | Baud Rate | Switches |   |   | Baud Rate |
|----------|---|---|-----------|----------|---|---|-----------|
| 3        | 4 | 5 |           | 3        | 4 | 5 |           |
| 0        | 0 | 0 | 9600      | 1        | 0 | 0 | 9600      |
| 0        | 0 | 1 | 1200      | 1        | 0 | 1 | 14400     |
| 0        | 1 | 0 | 2400      | 1        | 1 | 0 | 19200     |
| 0        | 1 | 1 | 4800      | 1        | 1 | 1 | 38400     |

**Table 41** Data Bit Settings

| Switch 6 | Data Word Size      |
|----------|---------------------|
| 0        | 7 Bit Communication |
| 1        | 8 Bit Communication |

**Table 42** Parity Settings

| Switches |   | Parity      |
|----------|---|-------------|
| 7        | 8 |             |
| 0        | 0 | No Parity   |
| 1        | 0 | Odd Parity  |
| 1        | 1 | Even Parity |

One start bit and one stop bit are always used (not selectable).

Per default, the module will turn into 19200 baud, 8 data bit with no parity.

## Forced Cold-Start Settings

Switches 1 and 2 do not force storage of this set of parameters in non-volatile memory. Returning the switches 1 and 2 to other positions (other than being both up) will allow for normal operation.

### CAUTION

A forced cold start erases all methods and data stored in non-volatile memory. Exceptions are diagnose and repair logbooks which are saved from being erased.

If you use the following switch settings and power the column compartment up again, a forced cold start has been completed.

**Table 43** Forced Cold Start Settings

| Mode Select | 1 | 2 | 3 | 4 | 5 | 6 | 7 | 8 |
|-------------|---|---|---|---|---|---|---|---|
| TEST/BOOT   | 1 | 1 | 0 | 0 | 0 | 0 | 0 | 1 |

To return to normal operation, set switches back to your GPIB or RS 232C configuration settings.

## Stay Resident Settings

Firmware update procedures may require this mode in case of firmware loading errors.

Switches 1 and 2 do not force storage of this set of parameters in non-volatile memory. Returning the switches 1 and 2 to other positions (other than being both up) will allow for normal operation.

If you use the following switch settings and power the instrument up again, the instrument firmware stays in the resident part, that is, it is not operable as a column compartment. It only uses basic functions of the operating system, for example, for communication.

**Table 44** Stay Resident Settings

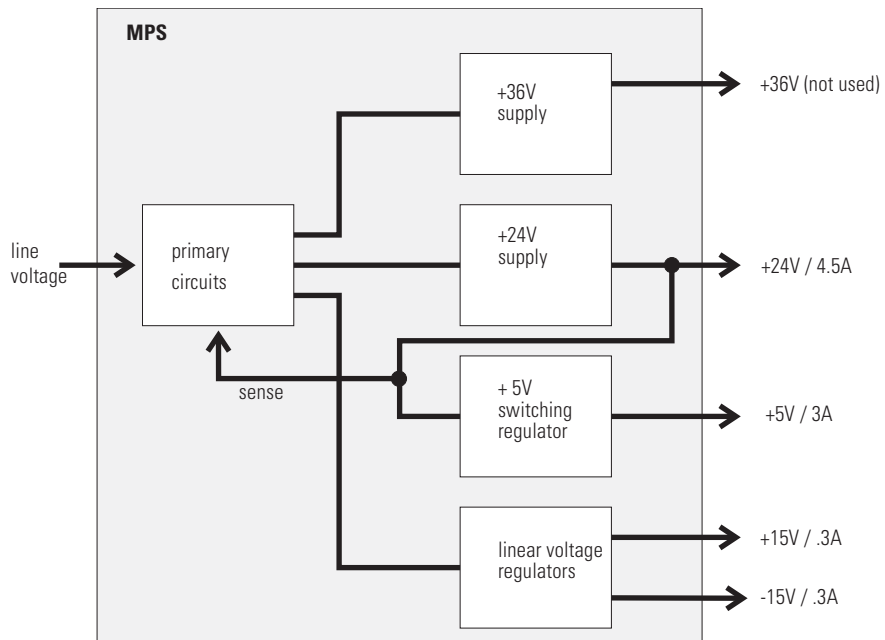
| <b>Mode Select</b> | <b>1</b> | <b>2</b> | <b>3</b> | <b>4</b> | <b>5</b> | <b>6</b> | <b>7</b> | <b>8</b> |
|--------------------|----------|----------|----------|----------|----------|----------|----------|----------|
| TEST/BOOT          | 1        | 1        | 0        | 0        | 1        | 0        | 0        | 0        |

To return to normal operation, set switches back to your GPIB or RS 232C configuration settings.

## The Main Power Supply Assembly

The main power supply comprises a closed assembly (no on-site repair possibility).

The power supply provides all DC voltages used in the module except for the voltages supplied by the lamp power supply to the deuterium and tungsten lamps in the detectors. The line voltage can vary in a range from 100 – 120 or 220 – 240 volts AC  $\pm 10\%$  and needs no manual setting.



**Figure 42** Main Power Supply (MPS) Block Diagram

### WARNING

**To disconnect the instrument from line, unplug the power cord. The power supply still uses some power, even if the power switch on the front panel is turned off.**

No accessible hardware fuse is needed because the main power supply is safe against any short circuits or overload conditions on the output lines. When overload conditions occur, the power supply turns off all output voltages. Turning the line power off and on again resets the power supply to normal operation if the cause of the overload condition has been removed.

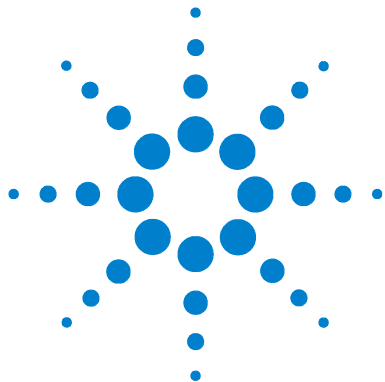
An over-temperature sensor in the main power supply is used to turn off output voltages if the temperature exceeds the acceptable limit (for example, if the cooling fan of the instrument fails). To reset the main power supply to normal operating conditions, turn the instrument off, wait until it is approximately at ambient temperature and turn the instrument on again.

The following table gives the specifications of the main power supply.

**Table 45** Main Power Supply Specifications

|               |   |  |
|---------------|---|--|
| Maximum power | 130 W   | Continuous output  |
| Line Input    | 100 – 120 or 220 – 240 volts AC<br>± 10 %, line frequency of 50/60 Hz | Wide ranging   |
| Output 1      | + 24 V / 4.5 A (maximum)  | total power consumption of + 24 V<br>and + 36 V must not exceed 107 W. |
| Output 2      | + 36 V / 2.5 A (maximum)  |  |
| Output 3      | + 5 V / 3 A   |  |
| Output 4      | + 15 V / 0.3 A  |  |
| Output 5      | - 15 V / 0.3 A  |  |

## **6 Introduction to the Column Compartment**



## 7

# Control Module Screens for the Agilent 1100 Column Compartment

Major keys on the Agilent 1100 Control Module 166

Screens available from the Analysis screen 167

Screens available from the System screen 176

Screens available from the Records screen 178

Diagnostics and Tests 183



### Major keys on the Agilent 1100 Control Module

**Table 46**

|        |   |
|--------|---|
| ESC    | Return to previous screen and scroll through top layer views (Analysis, Settings) |
| m      | Open context sensitive menus  |
| i      | Information/help  |
| Enter  | Store changed parameters or execute the choice from a pull-down menu              |
| On/Off | Switch on heater(s)   |
| Start  | Start a run   |
| Plot   | View the chromatogram   |
| Views  | Change between view of analysis - status - system screens                         |

#### NOTE

The screens shown on the next pages are based on the following firmware revisions:  
Control Module firmware revision B.01.01 (G1323B).  
LC Module firmware revision 3.8x

#### NOTE

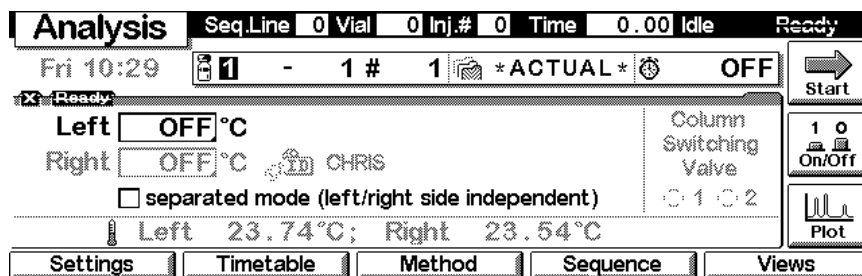
In case the control module's display seems to be frozen (hang-up due to a communication problem on the CAN bus, unplug the control module from the LC module and reconnect.



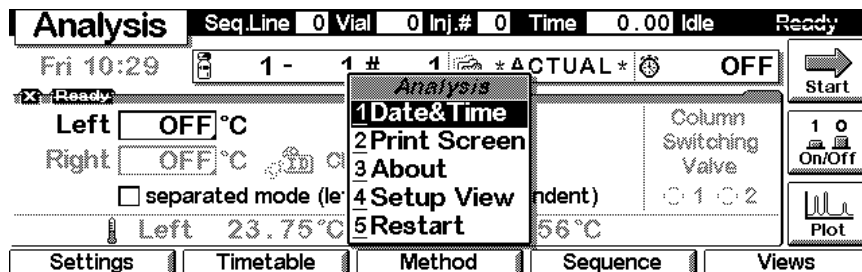
## Screens available from the Analysis screen

### The Analysis screen

This is the wake-up screen, if the Agilent 1100 thermostatted column compartment is the only configured Agilent 1100 module. It is used to enter the most common TCC method parameters. If no column switching valve (optional) is installed, the part is grayed out.



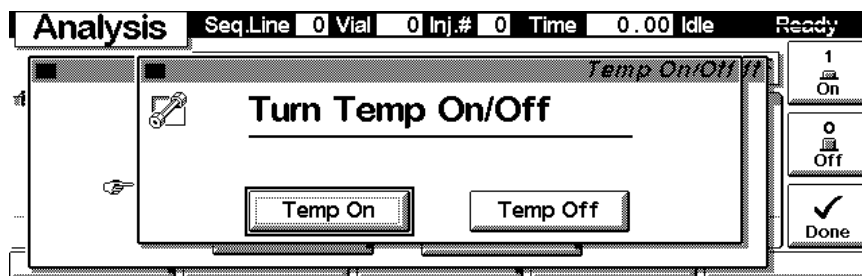
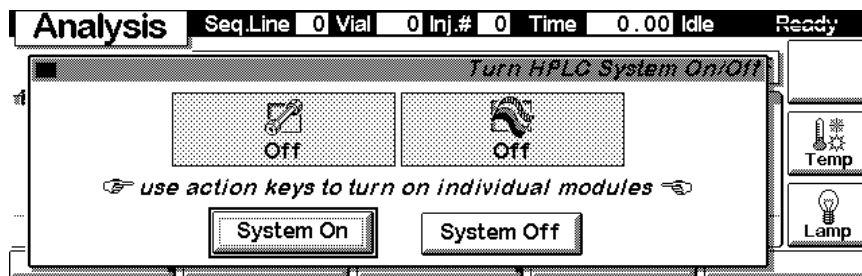
The **m**-key allows access to the context sensitive menu. **Setup view** leads you to add sections for additional Agilent 1100 modules. **Restart** re-boots the control module.



### Heater ON/OFF

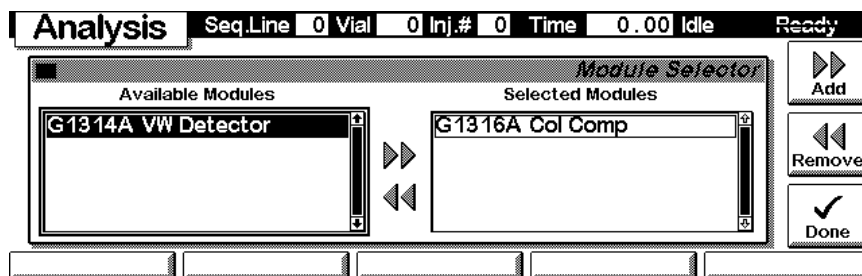
Use the F8 key (**On/Off**) to turn on the heater(s). If more than one module is available, select the F7 key (**Temp**).

## 7 Control Module Screens for the Agilent 1100 Column Compartment

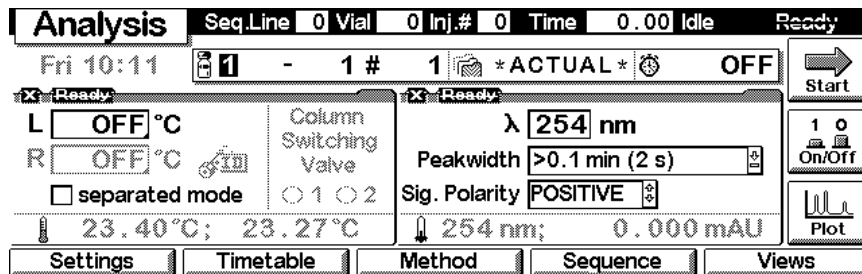


### Setup View

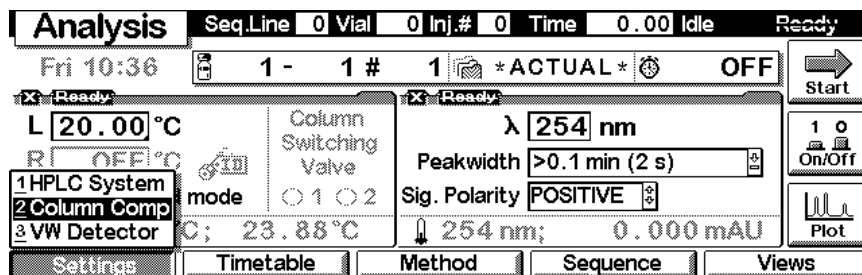
In the Setup view, e.g. another module can be added to the view.



Here, e.g. the variable wavelength detector parameters are shown on the display as well. The number of parameters on the display are restricted as additional modules are added. Maximum 4 modules are shown automatically. If more modules are in the system, you have to choose in Setup view.

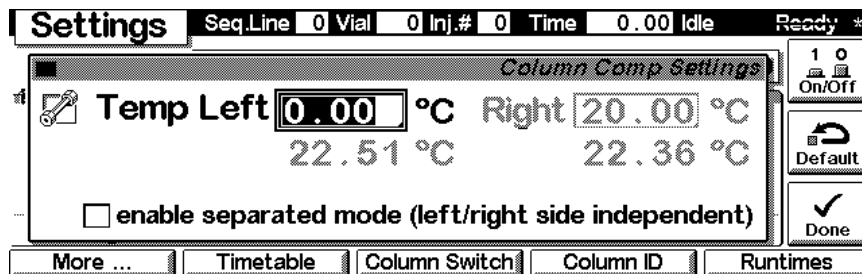


With the **Settings** key you open a pull-down menu where you can select the column compartment module.



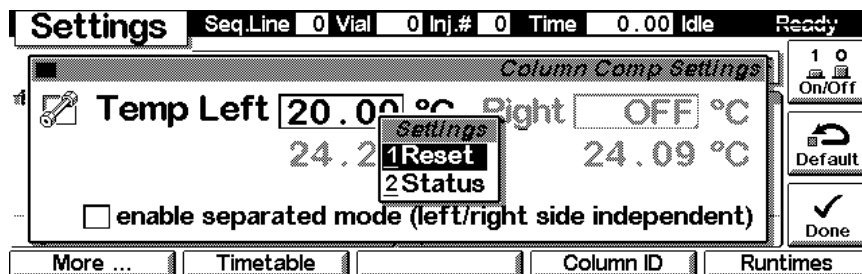
## Settings

Within the **Settings** you can change the TCC parameters and with a different set of parameters available through the F1-5 keys. The F3 key is only available when the column switching valve is installed (optional). F7 key resets the TCC to default values. F8 opens a window to turn on the heater(s).

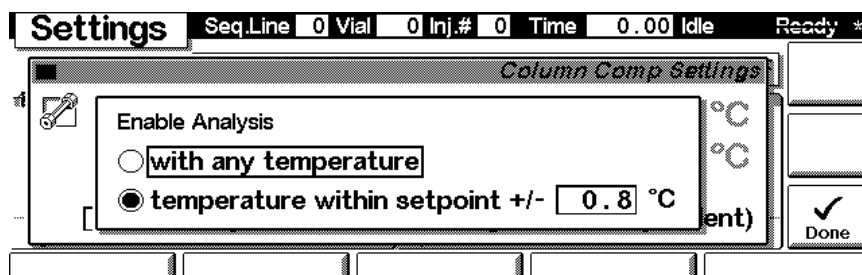


Use the **m**-key for the context sensitive menu. The **Status** command pulls up a monitor screen displaying signals and spectra as programmed. **Reset** will load the TCC default parameters.

## 7 Control Module Screens for the Agilent 1100 Column Compartment

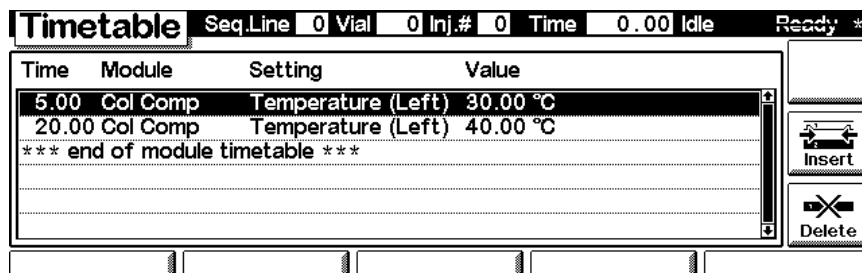


Use F1-key (**More**). You can enter special TCC setpoints that enables the analysis either with any temperature or within a specified range.

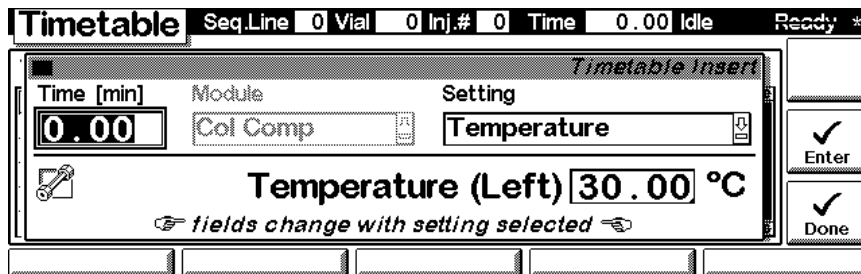


### Settings - Timetable

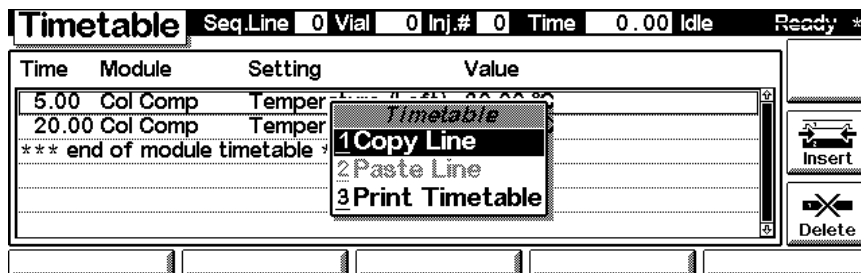
With the F2 key (**Timetable**) you can list the timetable for the TCC. Press F7 key (**Insert**) to add entries or F6 key (**Delete**) to remove entries.



Press the F7 key (**Insert**) to add a timetable events. Use the F6 key (**Done**) to view the entered lines of the timetable.

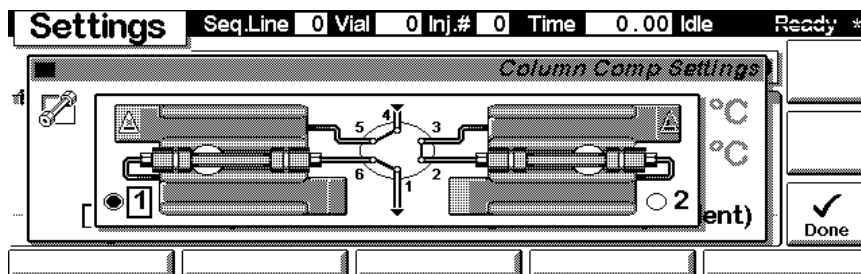


Use the **m**-key for the context sensitive menu. It gives you additional tools for the timetable.



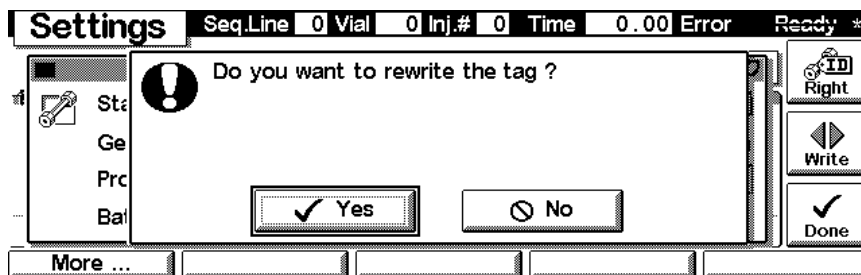
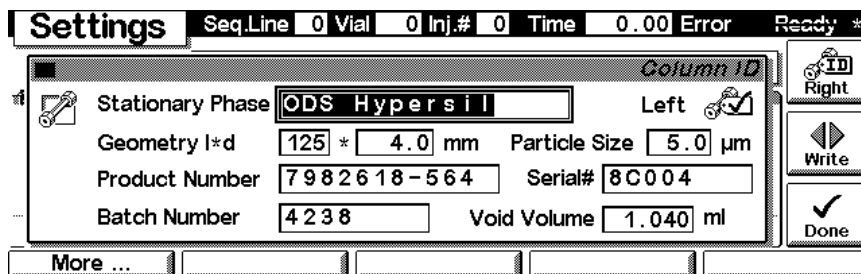
### Settings - Column Switching Valve

With the F3 key (**Column Switch**) you have access to the column switching valve, see "[Column Switching Valve \(Optional\)](#)" on page 140. You can select either the left or right column.



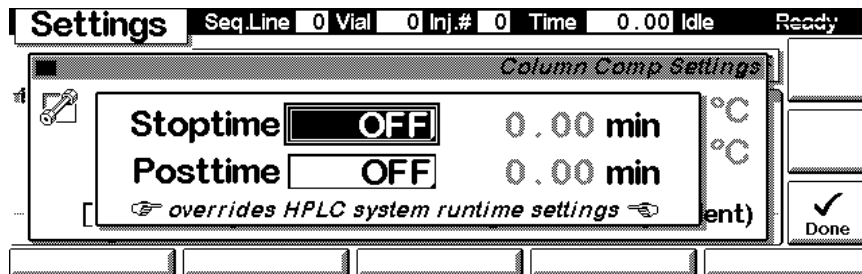
### Settings - Column ID

With the F4 key (**Column ID**) you have access to the column id tag information, see "[Column-Identification System](#)" on page 137. Pressing F1 key (**More**) shows the rest of the parameters (inclusive # of injections). You can overwrite the information and press F7 key (**Write**) to transfer the new information into the column tag. F8 key (**Right**) changes to the right column id tag information (if installed).

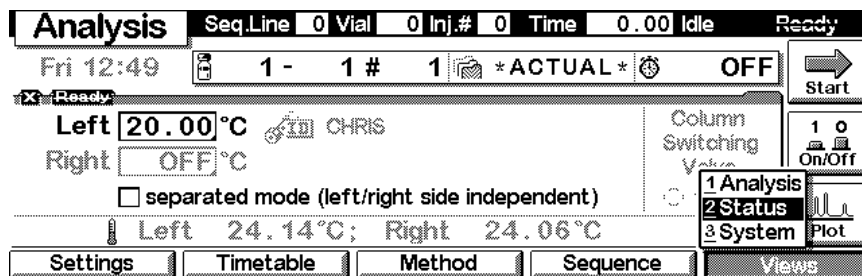


### Settings - Run times

With the F5 key (**Runtimes**) you can change the stop time and the post-run time.

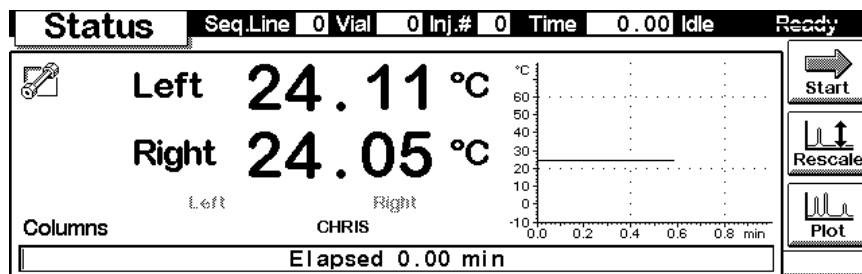


Press F5 key (Views) and select Status.



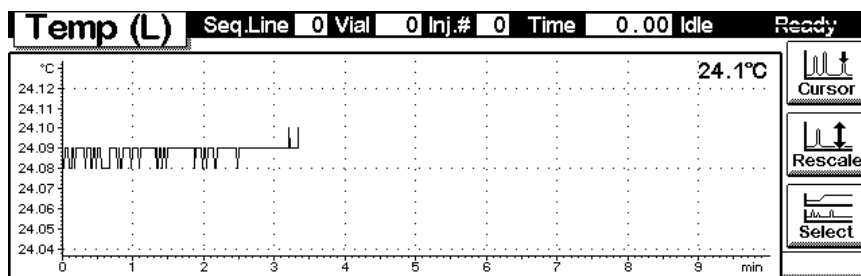
### Status

This is an example if an Agilent 1100 TCC is configured standalone. Information on the actual temperature setting (left and right), column name, elapsed run time, messages and the signal plot are shown. Press key F8 (Start) to start a run, key F7 (Rescale) to maximize the signal.

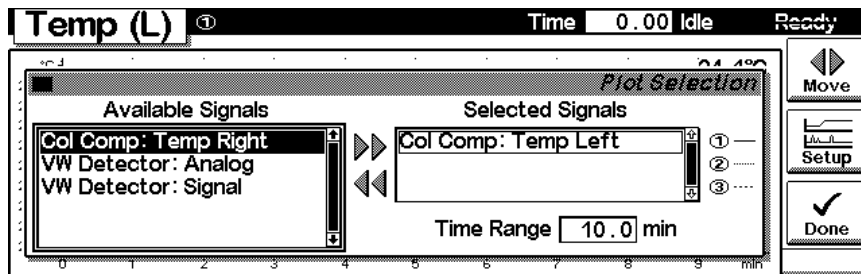


### Signal plot

Press F6 key (**Plot**) to enter the plot screen (available also from the **Analysis** and **System** screen). Here you can observe the online signal(s). To add additional online signals (maximum 3), press F6 key (**Select**). If more than one signal is configured (see next), use the 1-2-3 number key to switch between the signals.



Press F6 key (**Select**). Here you can add additional online signals (maximum are 3). Additional signals could be also pressure or detector signals from other modules. Use the Right/Left arrows to switch between Available and Selected Signals. Use the F8 key (**Move**) to enter available signals into the box for selected signals or vice versa.



### Method screens

On the **Analysis** screen use the F3 key (**Method**) to view the parameters in a method and F8 key (**Save As**) to save the method in the module(s). The PC-Card key is only active when a PCMCIA card is inserted in the control module.



| Method              |                         | Seq.Line | 0 | Vial      | 0 | Inj.# | 0 | Time | 0.00 | Idle | Ready |
|---------------------|-------------------------|----------|---|-----------|---|-------|---|------|------|------|-------|
| Setting             | Value                   | *ACTUAL* |   |           |   |       |   |      |      |      |       |
| Stoptime            | OFF                     |          |   |           |   |       |   |      |      |      |       |
| Posttime            | OFF                     |          |   |           |   |       |   |      |      |      |       |
| Temperature (Left)  | 20.00 °C                |          |   |           |   |       |   |      |      |      |       |
| Temperature (Right) | OFF                     |          |   |           |   |       |   |      |      |      |       |
| Enable Analysis     | Within setpoint ±0.8 °C |          |   |           |   |       |   |      |      |      |       |
| Separation Mode     | Combined                |          |   |           |   |       |   |      |      |      |       |
| Module              |                         | PC-Card  |   | Timetable |   |       |   |      |      |      |       |

| Method                     |       | Seq.Line                           | 0 | Vial      | 0 | Inj.# | 0 | Time | 0.00 | Idle | Ready |
|----------------------------|-------|------------------------------------|---|-----------|---|-------|---|------|------|------|-------|
| Save Current Method as ... |       |                                    |   |           |   |       |   |      |      |      |       |
| Name                       | BETA1 | <input type="checkbox"/> Protected |   |           |   |       |   |      |      |      |       |
| User Id                    |       |                                    |   |           |   |       |   |      |      |      |       |
| Comment                    |       |                                    |   |           |   |       |   |      |      |      |       |
|                            |       |                                    |   |           |   |       |   |      |      |      | Done  |
| Module                     |       | PC-Card                            |   | Timetable |   |       |   |      |      |      |       |

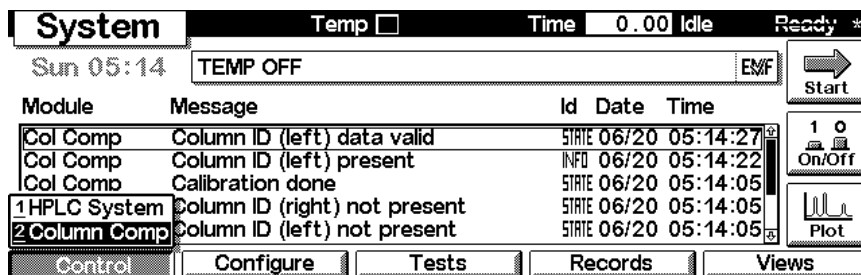
Use F2 key (**PC-Card**) to save a method on a PCMCIA card. Use the Right/Left arrows to switch between PC-Card and Instrument window. Use the UP/Down arrows to select the method. Use the F7/F8 keys (**Copy**) to enter available signals into the box for selected signals or vice versa.

| Method                     |  | Seq.Line | 0 | Vial | 0 | Inj.# | 0 | Time | 0.00 | Idle | Ready  |
|----------------------------|--|----------|---|------|---|-------|---|------|------|------|--------|
| Methods on PC-Card         |  |          |   |      |   |       |   |      |      |      |        |
| *** end of method list *** |  |          |   |      |   |       |   |      |      |      |        |
| Methods on Instrument      |  |          |   |      |   |       |   |      |      |      |        |
| BETA1 06/18/99 13:07       |  |          |   |      |   |       |   |      |      |      |        |
| *** end of method list *** |  |          |   |      |   |       |   |      |      |      |        |
|                            |  |          |   |      |   |       |   |      |      |      | Copy   |
|                            |  |          |   |      |   |       |   |      |      |      | Copy   |
|                            |  |          |   |      |   |       |   |      |      |      | Delete |
| Initialize                 |  |          |   |      |   |       |   |      |      |      |        |

## Screens available from the System screen

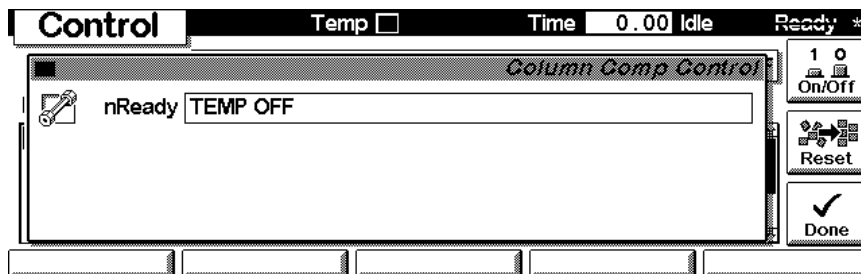
### System screen

Use the Esc key to receive **Views** on the F5 key. Choose **System** from the pull-down menu. This screen shows the last activities in the system.



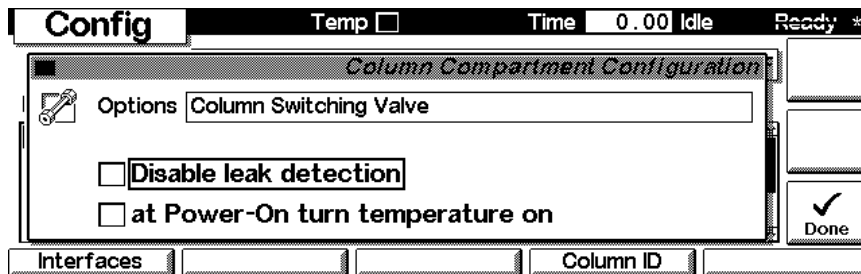
### System - Control

Use the F1 key (**Control**) to select the TCC. Here you receive information about the not-ready conditions if needed. F2 key (**Reset**) does a re-initialization of the TCC.

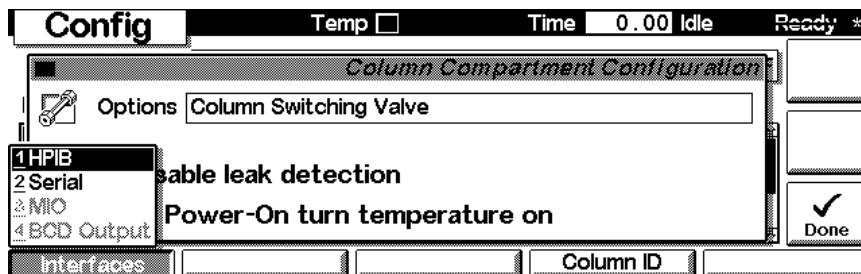


### System - Configuration

On the **System** screen use the F2 key (**Configure**) to select the TCC. Here you define further special setpoints for the TCC operation. The option line informs about a column switching valve, if installed (optional),.



Use the F1 key (**Interfaces**) to access the interface settings (if required).



## Screens available from the Records screen

### Records screen

Use the Esc key to receive **Views** on the F5 key. Choose **System** from the pull-down menu. Use the F4 key (**Records**) to select the TCC. Errors are reported either into the **System Log** (F2) or **Error Log** (F3).

| Records    |          |            |         |           |     | Temp <input type="checkbox"/> | Time 0.00 | Idle | Ready |
|------------|----------|------------|---------|-----------|-----|-------------------------------|-----------|------|-------|
| Module     | Product# | Serial#    | Version | On-Time   | EMF |                               |           |      |       |
| Controller | G1323B*  | DE53300105 | B.01.01 | 0d 00:00h |     |                               |           |      |       |
| Col Comp   | G1316A*  | DE53401440 | A.03.80 | 0d 03:30h |     |                               |           |      |       |

|     |            |           |           |           |
|-----|------------|-----------|-----------|-----------|
| EMF | System Log | Error Log | Maint Log | FW Update |
|-----|------------|-----------|-----------|-----------|

### System / Error Log

Use the F2 key (**System Log**) or F3 key (**Error Log**) to look for errors.

| Records                          |      |      |  |  |  | Temp <input type="checkbox"/> | Time 0.00 | Idle | Ready |
|----------------------------------|------|------|--|--|--|-------------------------------|-----------|------|-------|
| Column Compartment Error Logbook |      |      |  |  |  |                               |           |      |       |
| Message                          | Date | Time |  |  |  |                               |           |      |       |
| *** no entries ***               |      |      |  |  |  |                               |           |      |       |

|  |  |  |  |  |
|--|--|--|--|--|
|  |  |  |  |  |
|--|--|--|--|--|

| Records                           |          |          |  |  |  | Temp <input type="checkbox"/> | Time 0.00 | Idle | Ready |
|-----------------------------------|----------|----------|--|--|--|-------------------------------|-----------|------|-------|
| Column Compartment System Logbook |          |          |  |  |  |                               |           |      |       |
| Message                           | Date     | Time     |  |  |  |                               |           |      |       |
| Calibration done                  | 06/18/99 | 13:32:12 |  |  |  |                               |           |      |       |
| Column ID (right) not present     | 06/18/99 | 13:32:12 |  |  |  |                               |           |      |       |
| Column ID (left) data valid       | 06/18/99 | 13:32:12 |  |  |  |                               |           |      |       |
| Temperature off                   | 06/18/99 | 13:32:12 |  |  |  |                               |           |      |       |
| No analysis                       | 06/18/99 | 13:32:12 |  |  |  |                               |           |      |       |

|  |  |  |  |  |
|--|--|--|--|--|
|  |  |  |  |  |
|--|--|--|--|--|


### Info Log

Use the **m**-key to receive a pop-up menu, Select **Info Log**. A list of the last events are listed. For troubleshooting reasons they can be printed or saved to a file on the PCMCIA card (using the **m**-key for the context sensitive menu).

| Records                                |          | Temp <input type="checkbox"/> | Time 0.00 Idle | Ready |
|--|----------|-------------------------------|----------------|-------|
| <i>Column Compartment Info Logbook</i> |          |                               |                |       |
| Message                                | Date     | Time                          |                |       |
| Module method saved                    | 06/18/99 | 13:07:04                      |                |       |
| Column ID (left) present               | 06/18/99 | 12:48:25                      |                |       |
| Method modified                        | 06/18/99 | 10:35:04                      |                |       |
| Info (0x00d6,10)                       | 06/18/99 | 10:10:04                      |                |       |
| Info (0x00d6,10)                       | 06/18/99 | 10:09:07                      |                |       |
|  |          |                               |                | Print |

### EMF (Early Maintenance Feedback)

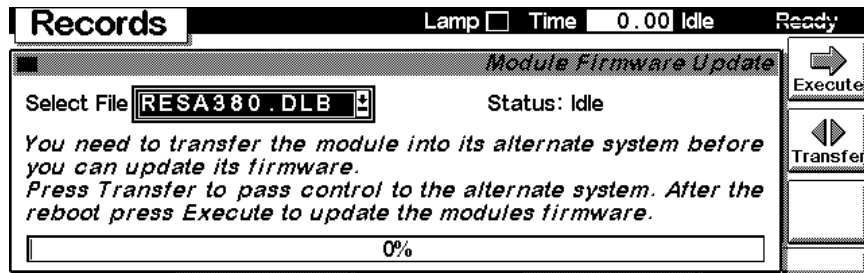
Using the F1 key (**EMF**) enters the EMF section. There are no EMF setting possible on the TCC.

| Records  |                           | Temp <input type="checkbox"/> | Time 0.00 Idle | Ready                                    |
|--|---------------------------|-------------------------------|----------------|--|
| <i>Column Compartment EMF Limits</i>   |                           |                               |                |  |
|  | G1316A Column Compartment | Serial# DE53401440            |                |  |
| ↔ No EMF limits for this module ↔  |                           |                               |                |  |
|  |                           |                               |                | Done <input checked="" type="checkbox"/> |

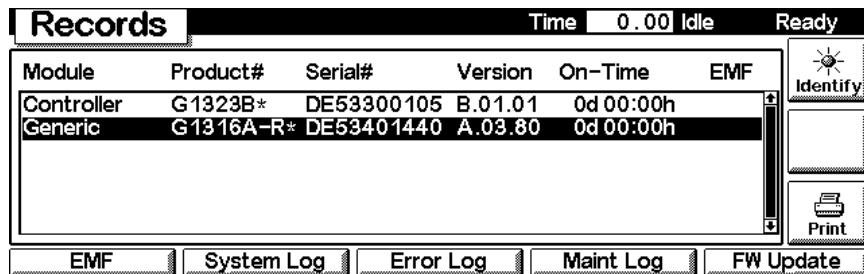
### Firmware Update

Use the Esc key to receive **Views** on the F5 key. Choose **System** from the pull-down menu. Use the F3 key (**Records**) to select the TCC. Use the F5 key (**FW Update**) to enter the Update section. If you want to update the resident firmware (together with specific main firmware revisions), select the a file from the PCMCIA card (RESnnnn.DLB) and press execute. If you want to update the main firmware, press F7 key (**Transfer**) to turn the module into the resident mode (LED on module should blink yellow).

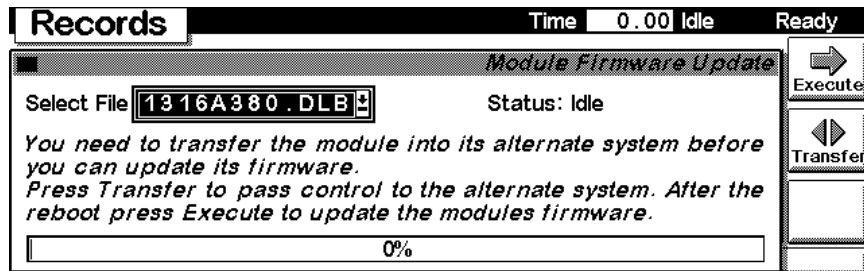
## 7 Control Module Screens for the Agilent 1100 Column Compartment



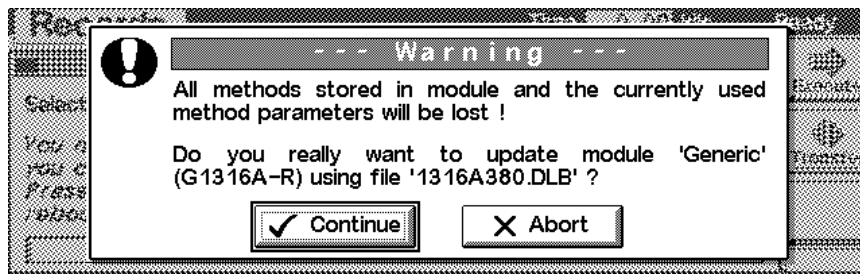
Use the **Esc** key to receive **Views** on the F5 key. Choose **System** from the pull-down menu. Use the F3 key (**Records**) to select the **Generic** module. In this screen the resident firmware revision is shown.



Use the F5 key (**FW Update**) to enter the Update section. Select the a file from the PCMCIA card (1316nnnn.DLB) and press execute. When the update has finished, press F7 key (**Transfer**) to return the module into the normal mode (LED on module should stay yellow).

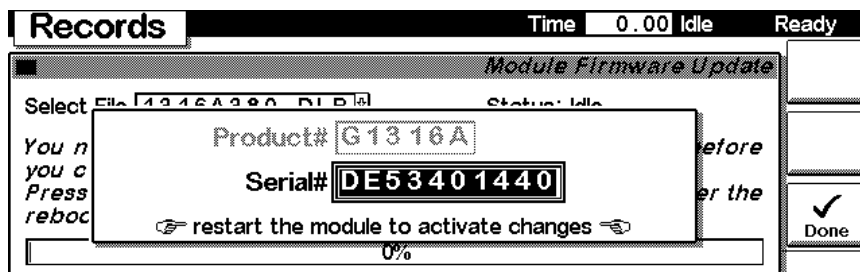
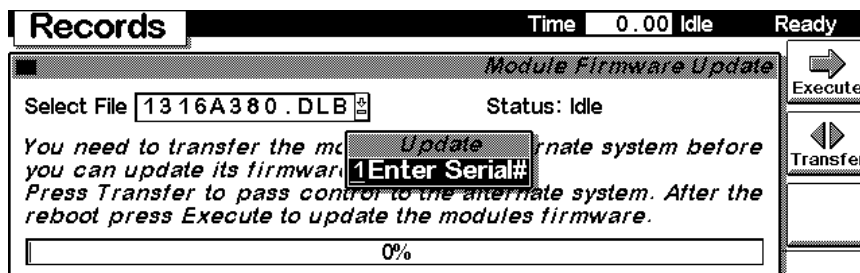


If you have not saved your methods, please do it before continuing. Otherwise they will be overwritten during the update process.



### Changing the serial number

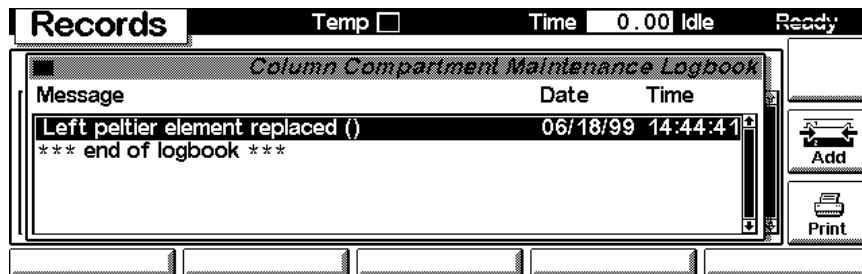
In case the serial number of the module has to be added, use the **m**-key to open the menu **Enter Serial#**. The serial number becomes active after restart of the module.



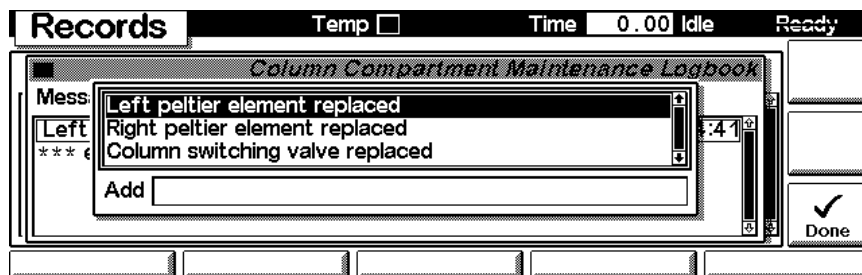
### Maintenance activities

On the Records screen use the F4 key (**Maint log**) to view and edit the maintenance logbook.

## 7 Control Module Screens for the Agilent 1100 Column Compartment



Use the F7 key (**Add**) to add new maintenance activities. If an activity is not listed, you can type the activity into the line "Add" using the control modules key pad.

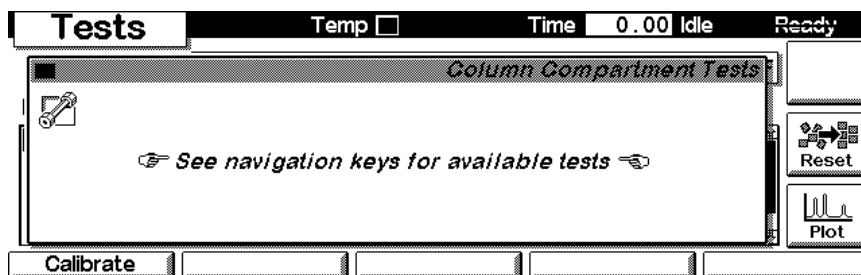




## Diagnostics and Tests

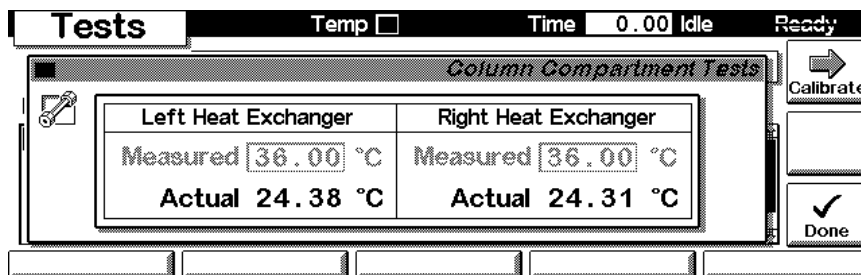
### Tests screen

Use the Esc key to receive **Views** on the F5 key. Choose **System** from the pull-down menu. Use the F3 key (**Tests**) to select the TCC. F7 key (**Reset**) resets the module and F6 key (**Plot**) opens the plot window.

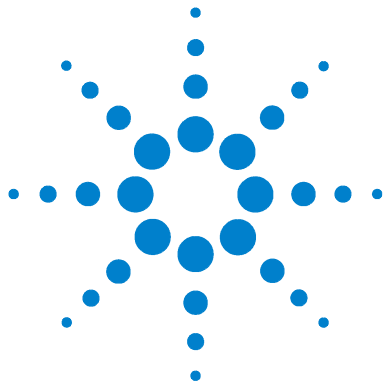


### Calibration

With F1 key (**Calibrate**) the recalibration of the TCC can be accessed. Refer to "[Temperature Calibration](#)" on page 45 for more information before starting this function. with F8 key (**Calibrate**).



## **7 Control Module Screens for the Agilent 1100 Column Compartment**



## 8 Specifications

Performance Specifications 186



## Performance Specifications

**Table 47** Performance Specifications Thermostatted Column Compartment

| Type                      | Specification   | Comments         |
|---------------------------|---|------------------|
| Temperature range         | 10 degrees below ambient to 80 °C   |                  |
| Temperature stability     | ± 0.15 °C   |                  |
| Temperature accuracy      | ± 0.8 °C<br>± 0.5 °C  | With calibration |
| Column capacity           | Three 30 cm   |                  |
| Warm-up/cool-down time    | 5 minutes from ambient to 40 °C<br>10 minutes from 40 – 20 °C   |                  |
| Dead volume               | 3 µl left heat exchanger<br>6 µl right heat exchanger   | i.d. 0.17 mm     |
| Dimensions<br>(h × w × d) | 140 × 410 × 435 mm<br>(5.5 × 16 × 17 inches)  |                  |
| Weight                    | 10.2 kg (22.5 lbs)  |                  |
| Communications            | Controller-area network (CAN),<br>GPIB, RS-232C, APG Remote:<br>ready, start, stop and shut-down<br>signals, LAN optional   |                  |
| Safety and maintenance    | Extensive diagnostics, error<br>detection and display (through<br>control module and<br>Agilent ChemStation), leak<br>detection, safe leak handling, leak<br>output signal for shutdown of<br>pumping system. Low voltages in<br>major maintenance areas. |                  |
| GLP features              | Column-identification module for<br>GLP documentation of column<br>type, see " <a href="#">Column-Identification<br/>System</a> " on page 137   |                  |
| Housing                   | All materials recyclable.   |                  |

**NOTE**

All specifications are valid for distilled water at ambient temperature (25 °C), set point at 40 °C and a flow range from 0.2–5 ml/min.

---





## A Safety Informations

|                                  |     |
|----------------------------------|-----|
| General Safety Information       | 190 |
| Lithium Batteries Information    | 193 |
| Radio Interference               | 194 |
| Sound Emission                   | 195 |
| Solvent Information              | 196 |
| Agilent Technologies on Internet | 197 |



### General Safety Information

The following general safety precautions must be observed during all phases of operation, service, and repair of this instrument. Failure to comply with these precautions or with specific warnings elsewhere in this manual violates safety standards of design, manufacture, and intended use of the instrument. Agilent Technologies assumes no liability for the customer's failure to comply with these requirements.

#### General

This is a Safety Class I instrument (provided with terminal for protective earthing) and has been manufactured and tested according to international safety standards.

#### Operation

Before applying power, comply with the installation section. Additionally the following must be observed.

Do not remove instrument covers when operating. Before the instrument is switched on, all protective earth terminals, extension cords, auto-transformers, and devices connected to it must be connected to a protective earth via a ground socket. Any interruption of the protective earth grounding will cause a potential shock hazard that could result in serious personal injury. Whenever it is likely that the protection has been impaired, the instrument must be made inoperative and be secured against any intended operation.

Make sure that only fuses with the required rated current and of the specified type (normal blow, time delay, and so on) are used for replacement. The use of repaired fuses and the short-circuiting of fuseholders must be avoided.

Some adjustments described in the manual, are made with power supplied to the instrument, and protective covers removed. Energy available at many points may, if contacted, result in personal injury.

Any adjustment, maintenance, and repair of the opened instrument under voltage should be avoided as much as possible. When inevitable, this should be carried out by a skilled person who is aware of the hazard involved. Do not



attempt internal service or adjustment unless another person, capable of rendering first aid and resuscitation, is present. Do not replace components with power cable connected.

Do not operate the instrument in the presence of flammable gases or fumes. Operation of any electrical instrument in such an environment constitutes a definite safety hazard.





Do not install substitute parts or make any unauthorized modification to the instrument.

Capacitors inside the instrument may still be charged, even though the instrument has been disconnected from its source of supply. Dangerous voltages, capable of causing serious personal injury, are present in this instrument. Use extreme caution when handling, testing and adjusting.

### Safety Symbols

Table 48 shows safety symbols used on the instrument and in the manuals.

**Table 48** Safety Symbols

| Symbol  | Description  |
|---|--|
|    | The apparatus is marked with this symbol when the user should refer to the instruction manual in order to prevent risk of harm to the operator and protect the apparatus against damage. |
|  | Indicates dangerous voltages.  |
|  | Indicates a protected ground terminal.   |
|  | The apparatus is marked with this symbol when hot surfaces are available and the user should not touch it when heated up.  |

### **WARNING**

**A warning alerts you to situations that could cause physical injury or damage to the equipment. Do not proceed beyond a warning until you have fully understood and met the indicated conditions.**

## A Safety Informations

### CAUTION

A caution alerts you to situations that could cause a possible loss of data. Do not proceed beyond a caution until you have fully understood and met the indicated conditions.

---

## Lithium Batteries Information

**WARNING**

Danger of explosion if battery is incorrectly replaced. Replace only with the same or equivalent type recommended by the equipment manufacturer. Lithium batteries may not be disposed-off into the domestic waste.

Transportation of discharged Lithium batteries through carriers regulated by IATA/ICAO, ADR, RID, IMDG is not allowed. Discharged Lithium batteries shall be disposed off locally according to national waste disposal regulations for batteries.

---

**WARNING**

Lithiumbatteri - Eksplosionsfare ved fejlagtig håndtering. Udskiftning må kun ske med batteri af samme fabrikat og type. Lever det brugte batteri tilbage til leverandoren.

---

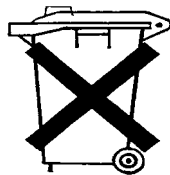
**WARNING**

Lithiumbatteri - Eksplosionsfare. Ved udskiftning benyttes kun batteri som anbefalt av apparatfabrikanten. Brukt batteri returneres apparatleverandoren.

---

**NOTE**

Bij dit apparaat zijn batterijen geleverd. Wanneer deze leeg zijn, moet u ze niet weggooien maar inleveren als KCA.



## **Radio Interference**

### **Manufacturer's Declaration**

This is to certify that this equipment is in accordance with the Radio Interference Requirements of Directive FTZ 1046/1984. The German Bundespost was notified that this equipment was put into circulation, the right to check the series for compliance with the requirements was granted.

### **Test and Measurement**

If test and measurement equipment is operated with equipment unscreened cables and/or used for measurements on open set-ups, the user has to assure that under operating conditions the radio interference limits are still met within the premises.

## Sound Emission

### **Manufacturer's Declaration**

This statement is provided to comply with the requirements of the German Sound Emission Directive of 18 January 1991.

This product has a sound pressure emission (at the operator position)  $< 70$  dB.

- Sound Pressure  $L_p < 70$  dB (A)
- At Operator Position
- Normal Operation
- According to ISO 7779:1988/EN 27779/1991 (Type Test)

## Solvent Information

Observe the following recommendations on the use of solvents.

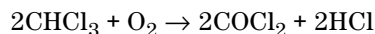
### Flow Cell

Avoid the use of alkaline solutions (pH > 11) which can attack quartz and thus impair the optical properties of the flow cell.

### Solvents

Always filter solvents through 0.4 µm filters, small particles can permanently block the capillaries. Avoid the use of the following steel-corrosive solvents:

- Solutions of alkali halides and their respective acids (for example, lithium iodide, potassium chloride, and so on).
- High concentrations of inorganic acids like nitric acid, sulfuric acid especially at higher temperatures (replace, if your chromatography method allows, by phosphoric acid or phosphate buffer which are less corrosive against stainless steel).
- Halogenated solvents or mixtures which form radicals and/or acids, for example:



This reaction, in which stainless steel probably acts as a catalyst, occurs quickly with dried chloroform if the drying process removes the stabilizing alcohol.

- Chromatographic grade ethers, which can contain peroxides (for example, THF, dioxane, di-isopropylether) such ethers should be filtered through dry aluminium oxide which adsorbs the peroxides.
- Solutions of organic acids (acetic acid, formic acid, and so on) in organic solvents. For example, a 1-% solution of acetic acid in methanol will attack steel.
- Solutions containing strong complexing agents (for example, EDTA, ethylene diamine tetra-acetic acid).
- Mixtures of carbon tetrachloride with 2-propanol or THF.

## Agilent Technologies on Internet

For the latest information on products and services visit our worldwide web site on the Internet at:

<http://www.agilent.com>

Select “Products” - “Chemical Analysis”

It will provide also the latest firmware of the Agilent 1100 series modules for download.

## **A Safety Informations**



# Index

## A

- accessory kit, 112
  - installation, 6
- accuracy of temperature, 186
- Agilent on internet, 197
- antenna, 137

## B

- battery
  - description, 147
  - location on CCM board, 75
  - safety information, 193
- boards
  - column identification (CID), 147
  - location of connectors, 75
  - main board (CCM), 145

## C

- cable
  - connecting APG Remote, 8
  - connecting CAN, 8
  - connecting ChemStation, 8
  - connecting GPIB, 8
  - connecting the power, 8
  - overview and identification, 113
- calibration
  - control module screen, 183
- calibration, see temperature calibration
- CAN interface, 154
- CCM board
  - description, 145
- CID board, 147
  - location, 55
  - replacing, 78
- column
  - capacity and length, 134
  - changing column and tags, 57
  - equilibration time, 136
- column clip, 139

- column ID
  - settings, 172
- column identification, 137
  - antenna and tag, 137
  - how to install tags, 138
  - tag, 138
  - what information, 137
- column switching valve
  - settings, 171
- column switching valve (optional)
  - description, 140
  - installing, 71
  - precolumn backflushing, 141
  - two column selection, 140
- configuration switch
  - default settings, 157
  - description and factory settings, 157
- connector locations, 10
- control module
  - column id settings, 172
  - EMF, 179
  - enter serial number, 181
  - firmware update, 179
  - part number, 104
  - serial number change, 181
  - temperature calibration, 183
  - tests, 183
- control module screen
  - column switching valve, 171
- controller. see CCM board
- cool-down time, 186
- cooling concept, 135
- column switching valve (optional)
  - location, 140

## D

- dead volume, 186
- delivery checklist, 5
- dimensions, 4, 186

## E

- electrical connections
  - descriptions of, 142
  - location of connectors, 143
- EMF
  - on control module, 179
- equilibration time, 136
- error messages, 18
  - column temperature, 40
  - compensation sensor open, 29
  - compensation sensor short, 30
  - cover violation, 34
  - defective heater circuit, 42
  - defective sensor, 37
  - defective temperature sensor, 37
  - heater profile, 38
  - heatsink temperature, 41
  - introduction, 21
  - leak, 26
  - leak sensor open, 27
  - leak sensor short, 28
  - left fan failed, 31
  - left temperature timeout, 35
  - open cover, 33
  - remote time out, 24
  - right fan failed, 32
  - right temperature timeout, 36
  - shutdown, 23
  - synchronization lost, 25
  - time-out, 22
  - valve failed, 39
- ESD (electrostatic discharge) strap, 53
- exchanging parts. see repairs
- external measuring device
  - information, 46

## F

- features
  - column identification, 134
  - column switching valve, 134

## Index

- GLP, 186
  - instrument layout, 144
  - safety and maintenance, 186
  - firmware
    - main system, 151
    - resident system, 151
    - updates, 151
  - firmware update with control module, 179
  - front view of module, 9
  - function test, 43
    - description, 43
    - failed, 44
    - profile, 43
  - fuses, 163
- G**
- GLP features, 186
  - GPIB
    - default addresses, 158
    - interface, 154
- H**
- heat exchanger
    - equilibration time, 136
  - heating concept, 135
  - humidity, 4
- I**
- information
    - on batteries, 193
    - on external measuring device, 46
  - installation
    - accessory kit, 6
    - capillaries and waste tubings, 13
    - column, 12
    - delivery checklist, 5
    - flow connections, 11
    - module, 9
    - of column switching valve, 71
    - temperature sensor, 48
    - unpacking, 5
  - instrument layout, 144
  - interfaces
    - APG remote, 154
    - CAN, 154
    - GPIB, 154
    - RS-232C, 155
  - internet, 197
  - introduction
    - concept of heating and cooling, 135
    - system overview, 135
    - to column compartment, 15
- L**
- LAN cables, 131
  - leaks, correcting, 62
  - limits
    - of temperature calibration, 46
  - line voltage and frequency, 4
- M**
- maintenance (simple repairs), 56
  - message
    - column temperature, 40
    - compensation sensor open, 29
    - compensation sensor short, 30
    - cover violation, 34
    - defective heater circuit, 42
    - defective sensor, 37
    - defective temperature sensor, 37
    - heater profile, 38
    - heatsink temperature, 41
    - leak, 26
    - leak sensor open, 27
    - leak sensor short, 28
    - left fan failed, 31
    - left temperature timeout, 35
    - open cover, 33
    - remote time out, 24
    - right fan failed, 32
    - right temperature timeout, 36
    - shutdown, 23
    - synchronization lost, 25
    - time-out, 22
    - valve failed, 39
- O**
- operation temperature, 4
  - operation, theory of electronics, 145
  - optimizing the performance, 16
- P**
- parts identification, 102
    - accessory kit, 112
    - cable overview, 113
    - cables - analog, 115
    - cables - auxiliary, 127
    - cables - BCD, 124
    - cables - external contact, 129
    - cables - LAN cables, 131
    - cables - remote, 118
    - column switching valve, 105
    - control module, 104
    - foams, 109
    - leak panels, 111
    - main assemblies, 102
    - plastics, 108
    - power and status, 110
    - sheet metal kit, 107
  - performance
    - optimizing, 16
    - specifications and features, 186
  - physical specifications, 4
    - humidity, 4
    - line voltage and frequency, 4
    - operation temperature, 4
    - power consumption, 4
    - weight and dimensions, 4
  - power consumption, 4
  - power settings (autoranging), 162
  - power supply
    - description, 162
- R**
- rear view of module, 10
  - remote (APG) interface, 154
  - Removing the Top Cover and Foam, 65
  - repairs
    - assembling main cover, 99
    - changing the column, 57
    - cleaning the instrument, 53
    - correcting leaks, 62
    - exchanging CID board, 78
    - exchanging column switching valve parts, 60
    - exchanging processor board (CCM), 74
    - exchanging the fan, 79
    - installing column switching valve, 71

- installing foam and top cover, 96
- installing heat exchangers, 84
- internal parts, 63
- introduction, 52
- overview, 55
- removing column switching valve, 68
- removing heat exchangers, 81
- removing top cover and foam, 65
- replacing leak sensor and leak base, 90
- replacing status light pipe, 95
- simple repairs overview, 56
- types simple/internal, 52
- using the ESD strap, 53
- warnings and cautions, 52
- replacing parts. *see* repairs
- RS-232C
  - cable kit to PC, 130
  - communication settings, 158
  - interface, 155

## S

- safety information
  - on lithium batteries, 193
  - standards, 4
- serial number
  - entered on ChemStation, 76
  - entered on control module, 76, 181
- serial number change with control module, 181
- setting the addresses, 157
- site requirements, 2
  - bench space, 3
  - environment, 3
  - power considerations, 2
  - power cords, 2
- specifications, 186
- stack configuration, 7
  - front view, 7
  - rear view, 8
- status indicators, 18, 19
  - details, 19
  - location, 19
- system overview, 135

## T

- tag, 137
  - installation, 138

- temperature
  - accuracy, 186
  - range, 186
  - stability, 186
- temperature calibration, 18
  - control module screen, 183
  - cross-over point, 45
  - description
    - limits, 46
    - problems, 47
    - procedure, 46
- temperature verification, 18
  - external measuring device, 46
  - principle, 48
- test
  - thermostat function test, 18, 43
  - thermostat function test failed, 44
- tests on control module, 183
- troubleshooting
  - error messages, 18
  - status indicators, 18

## U

- unpacking, 5

## V

- verification, *see* temperature verification

## W

- warm-up time, 186
- weight, 4, 186







## **In This Book**

This manual contains technical reference information about the Agilent 1100 Series thermostatted column compartment. The manual describes the following:

- installing the column compartment,
- the column compartment optimization,
- diagnostics and troubleshooting,
- repairing the column compartment,
- parts and materials,
- introduction to and theory of operation, and
- screens of local control module.

